

1

2

3

4

A

**Technical Sheet / Datos Técnicos:**

A

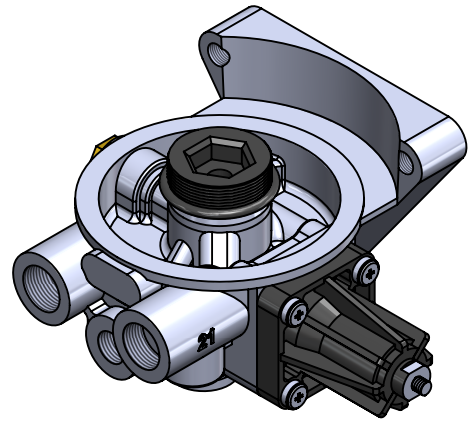
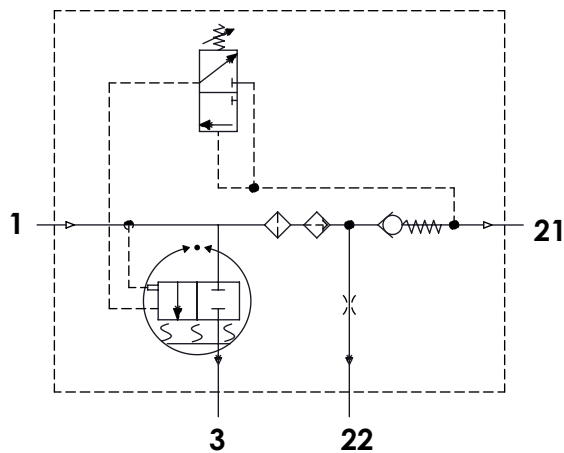
|   |                        |
|---|------------------------|
| Part number adaptable to / Referencia adaptable a:  | 432 410 042 0          |
| Working pressure / Presión de trabajo:              | Max = 13 bar           |
| Unloader / Regulador de presión:                    | Integrated / Integrado |
| Cut-out pressure / Presión de corte:                | 8.5±0.3 bar            |
| Heating / Calentador:                               | 100W / 24 V            |
| Permissible Medium / Medio de funcionamiento:       | Air / Aire             |
| Operating temperature range / Rango de temperatura: | - 40 °C a / to +80 °C  |
| Cut-in temperature / Temperatura de cierre:         | +7° ± 6°C              |
| Cut-off temperature / Ajuste de la temperatura:     | +29.5° ± 3°C           |
| Weight / Peso:                                      | 1540 gr                |

B

B

C

C



D

D

| Port / Conexión | Function / Función   | Thread / Rosca |
|-----------------|--|----------------|
| <b>1</b>        | From the compressor / Proveniente del compresor                | M22x1,5 VOSS   |
| <b>21</b>       | To the reservoirs / A los calderines                           | M22x1,5 VOSS   |
| <b>22</b>       | To the regenerated air reservoir / Al calderín de regeneración | M16x1,5 VOSS   |
| <b>3</b>        | Exhaust for compressed air / Escape de aire comprimido         | -              |
| <b>6</b>        | Heating / Calentador   | M27x1          |

E

E

**Purpose / Finalidad:** Drying of the compressed air supplied by the compressor. /  
Secado del aire comprimido procedente del compresor.

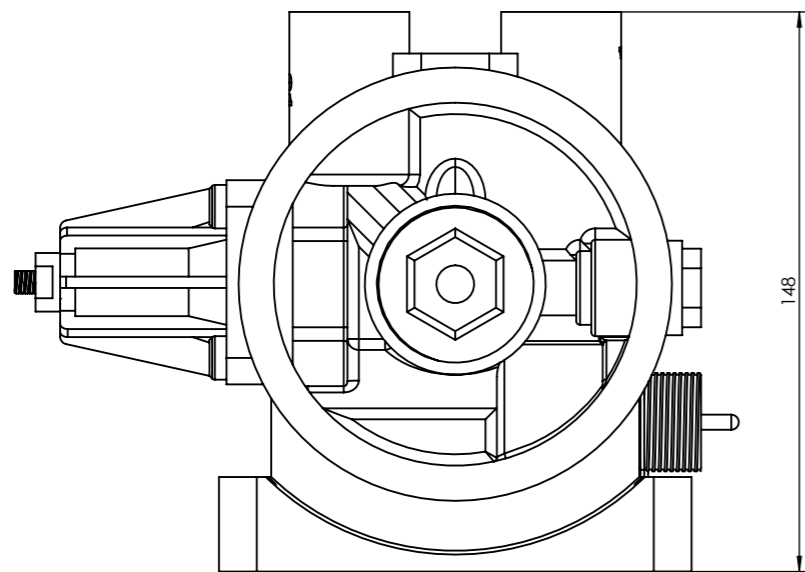
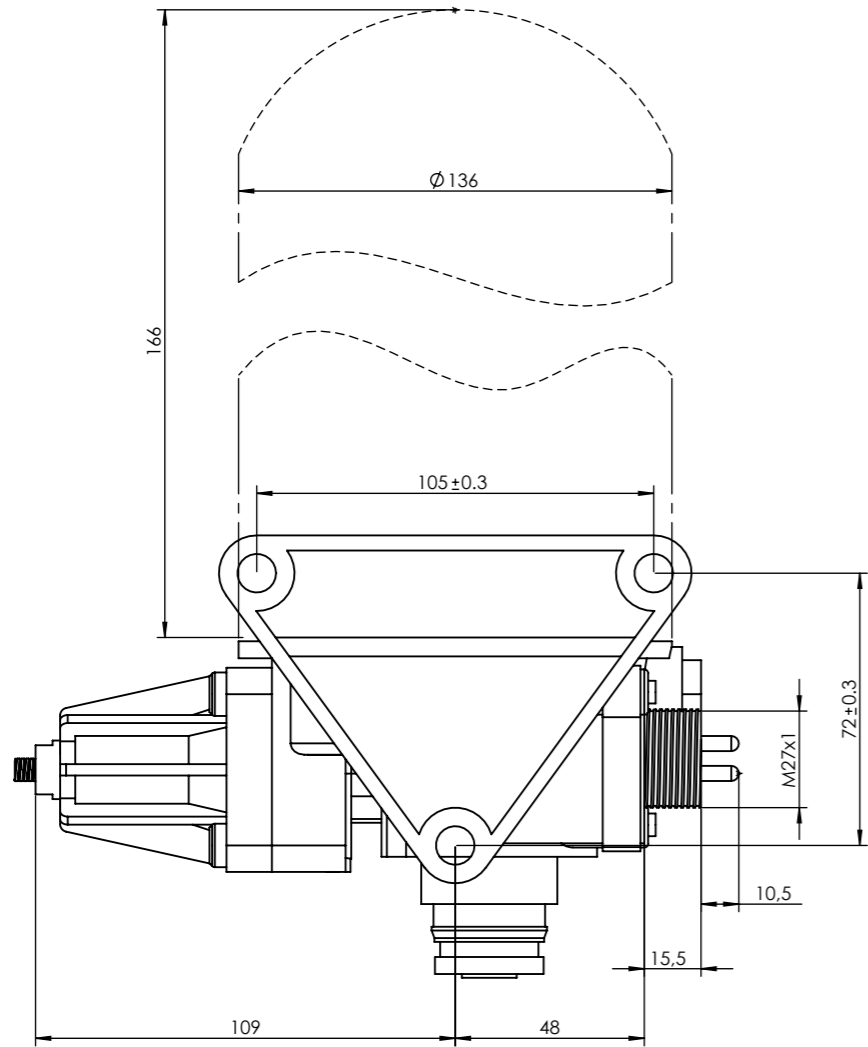
**Installation / Instalación:** Exhaust (3) must look down. /  
El escape de aire (3) debe estar orientado hacia abajo.

E

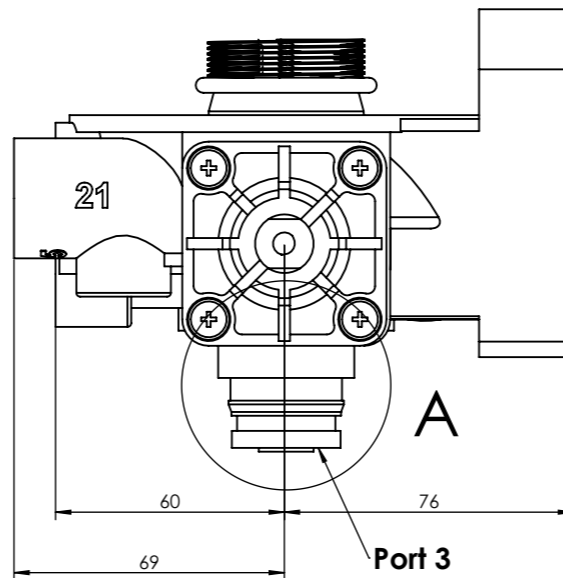
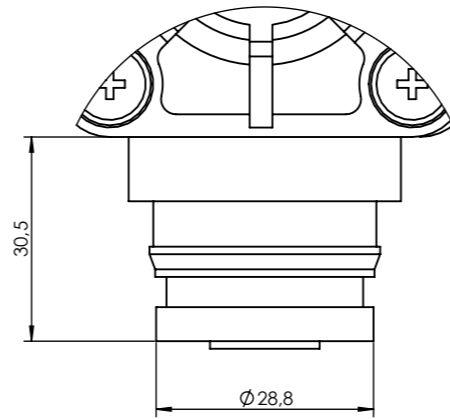
F

F

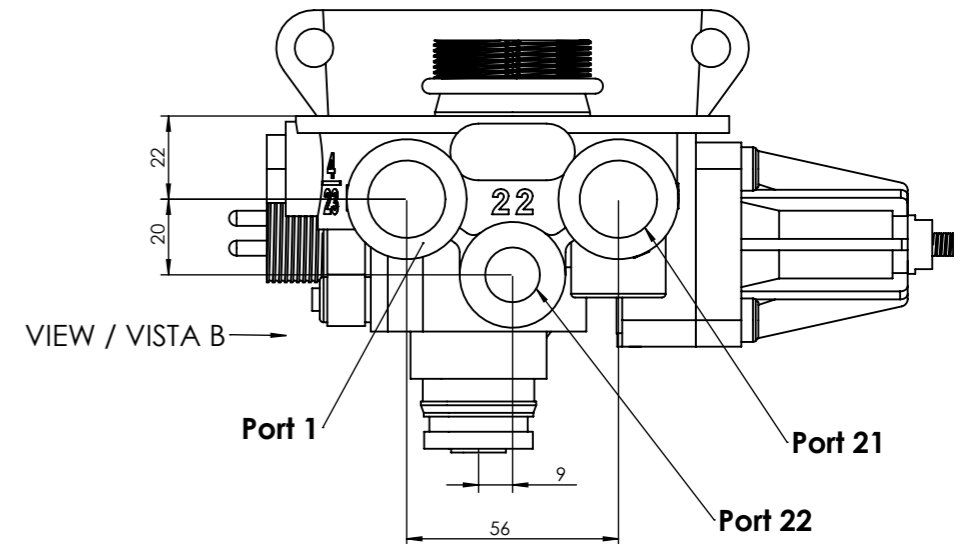
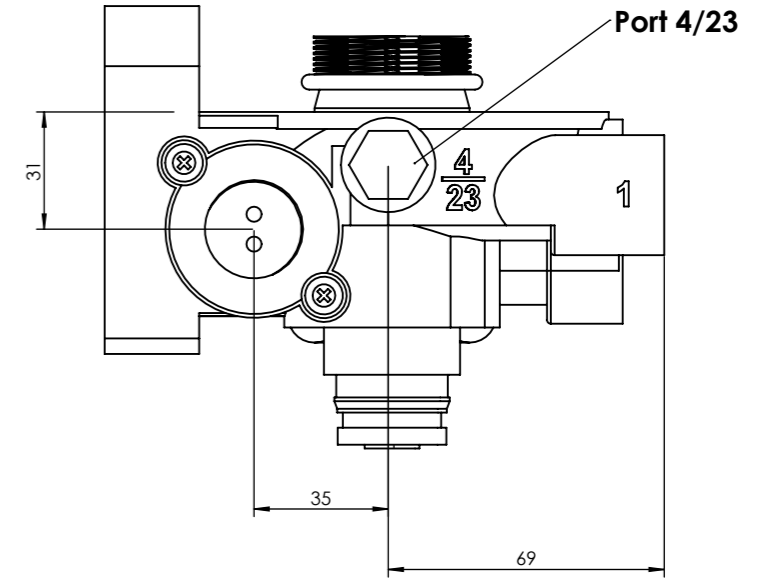
|              |    |          |      |        |                   |           |                             |
|--------------|----|----------|------|--------|-------------------|-----------|-----------------------------|
| Modification | 4  |          |      |        | Drawn             |           |                             |
|              | 3  |          |      |        | 09/06/14 A.U.     |           |                             |
|              | 2  |          |      |        | Checked           |           |                             |
|              | 1  |          |      |        | 09/06/14 A.L.     |           |                             |
| Comments     | nº | Modified | Date | Reason | General Tolerance | Assembly  | -                           |
|              |    |          |      |        |                   | Part name | Air Dryer / Secador de aire |
|              |    |          |      |        |                   | Material  | 2210131                     |
|              |    |          |      |        |                   | Scale: -  |                             |
|              |    |          |      |        | Review: 0         |           |                             |


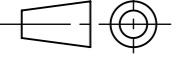


DETAIL / DETALLE A  
SCALE / ESCALA 1 : 1



VIEW / VISTA B



|              |             |      |        |                   |   |   |
|--------------|-------------|------|--------|-------------------|---|---|
| Modification | 4           |      |        | Drawn             |  | F   |
|              | 3           |      |        | 09/06/14 A.U.     |   |   |
|              | 2           |      |        | Checked           |   |   |
|              | 1           |      |        | 09/06/14 A.L.     |   |   |
|              | nº Modified | Date | Reason | General Tolerance | Assembly  | -   |
| Comments     |             |      |        | ISO 2768 c-K      | Part name   | Air Dryer / Secador de aire   |
|              |             |      |        | Material          | ID. Reference   | 2210131   |
|              |             |      |        |                   | Scale: 1/2  |  |
|              |             |      |        |                   | Review: 0   |   |