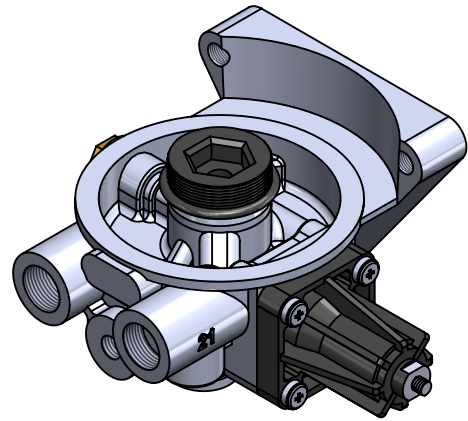
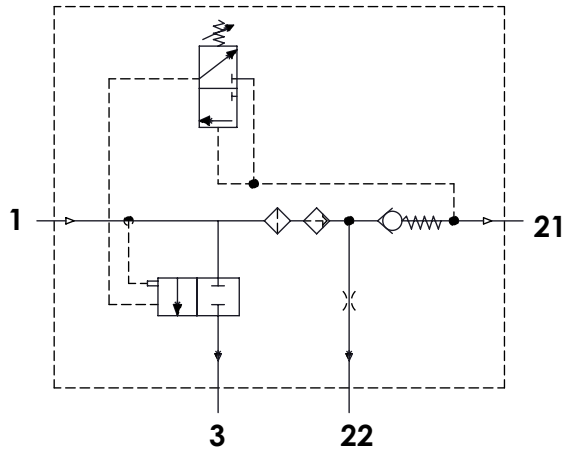


Technical Sheet / Datos Técnicos:

| | |
|---|------------------------|
| Part number adaptable to / Referencia adaptable a: | 432 410 202 0 |
| Working pressure / Presión de trabajo: | Max = 13 bar |
| Unloader / Regulador de presión: | Integrated / Integrado |
| Cut-out pressure / Presión de corte: | 8.1 ±0.3 bar |
| Heating / Calentador: | - |
| Permissible Medium / Medio de funcionamiento: | Air / Aire |
| Operating temperature range / Rango de temperatura: | - 40°C a / to +80°C |
| Cut-in temperature / Temperatura de cierre: | - |
| Cut-off temperature / Ajuste de la temperatura: | - |
| Weight / Peso: | 1540 gr |

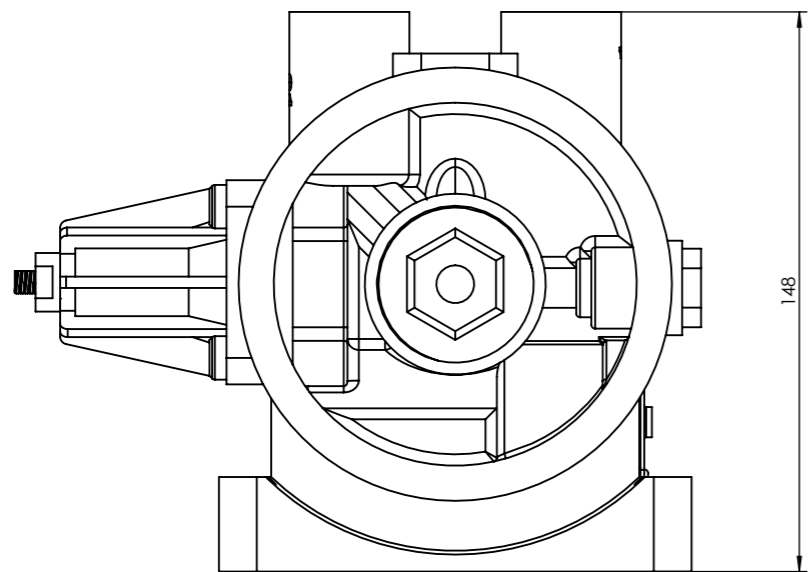
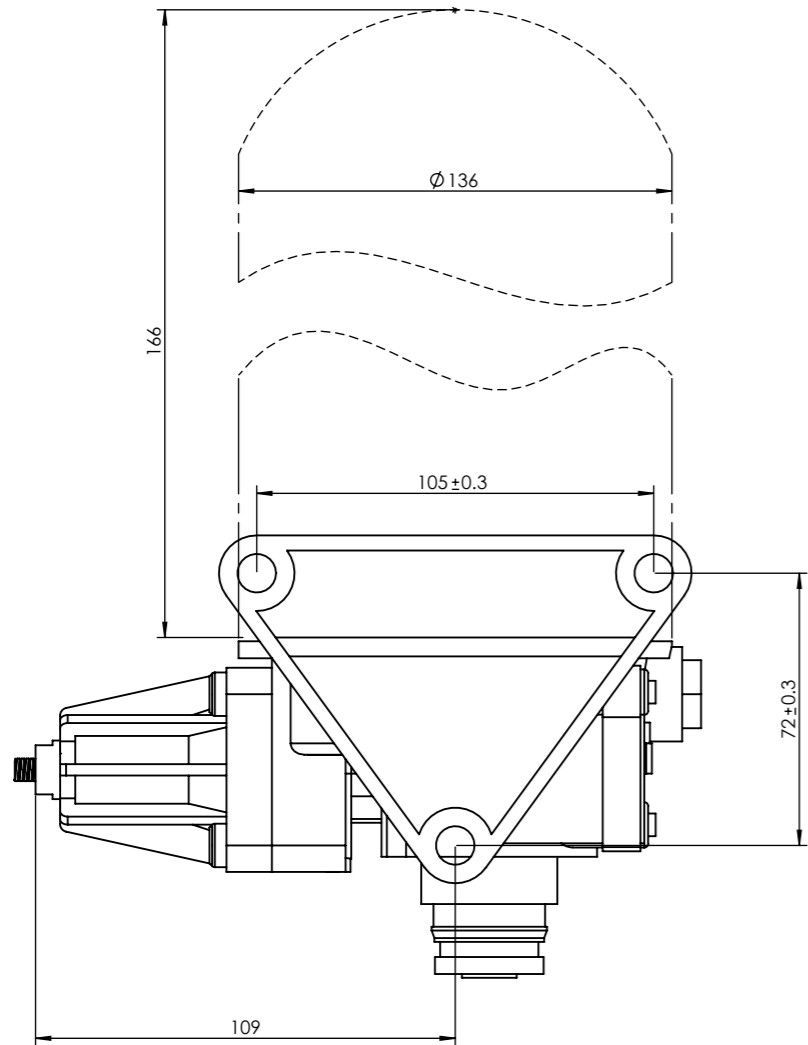


| Port / Conexión | Function / Función | Thread / Rosca |
|-----------------|--|----------------|
| 1 | From the compressor / Proveniente del compresor | M22x1,5 |
| 21 | To the reservoirs / A los calderines | M22x1,5 |
| 22 | To the regenerated air reservoir / Al calderín de regeneración | M12x1,5 |
| 3 | Exhaust for compressed air / Escape de aire comprimido | - |
| 6 | Heating / Calentador | - |

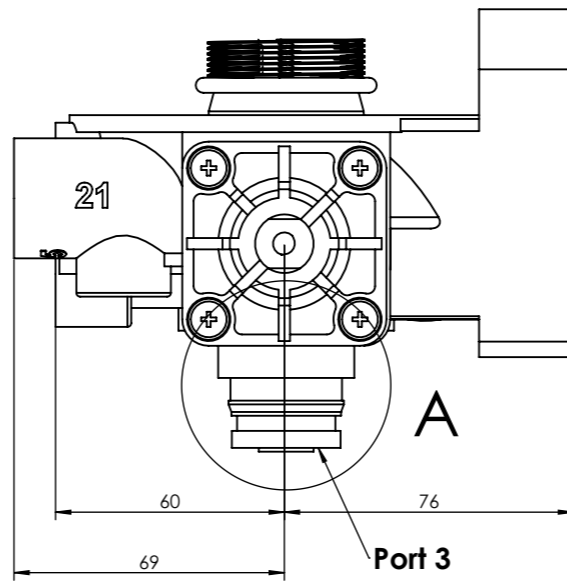
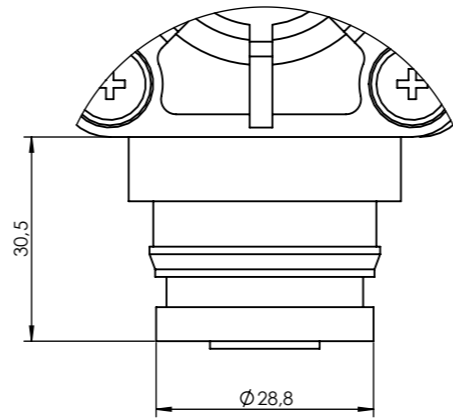
Purpose / Finalidad: Drying of the compressed air supplied by the compressor. / Secado del aire comprimido procedente del compresor.

Installation / Instalación: Exhaust (3) must look down. / El escape de aire (3) debe estar orientado hacia abajo.

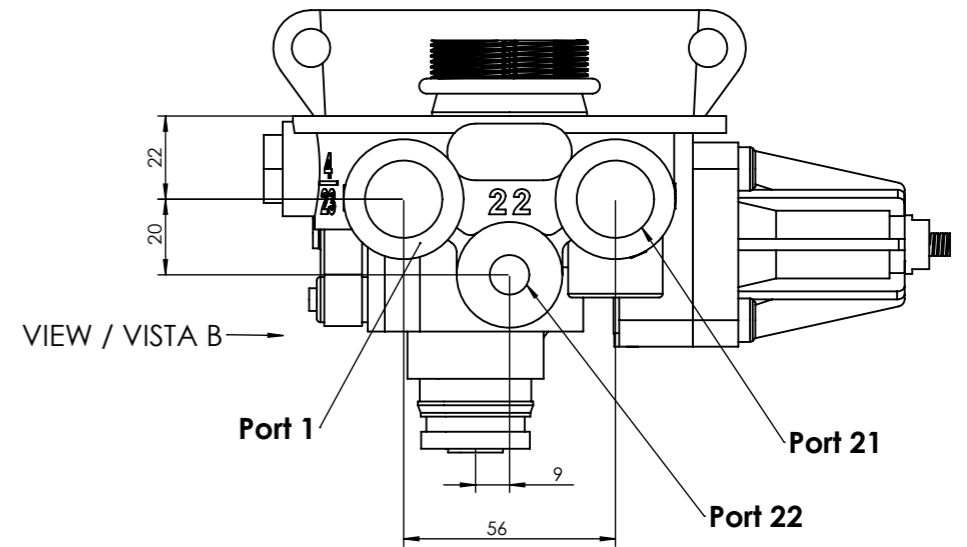
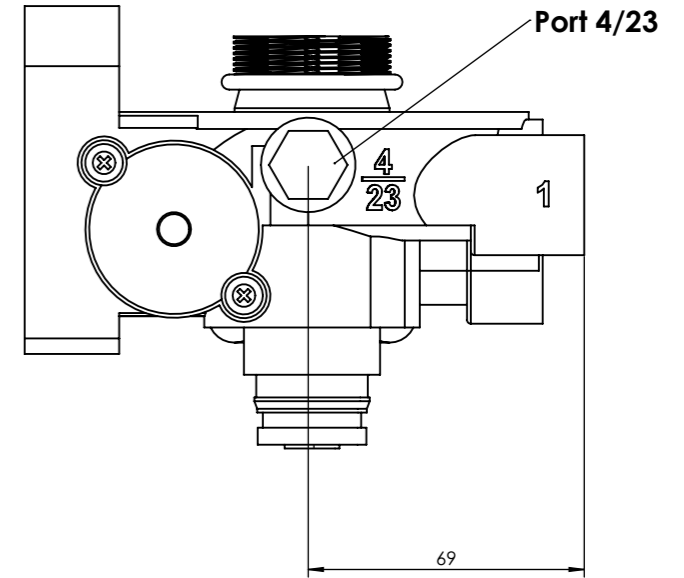
| | | | | | | | |
|--------------|----|----------|------|--------|-------------------|---------------|-----------------------------|
| Modification | 4 | | | | Drawn | | |
| | 3 | | | | 09/06/14 A.U. | | |
| | 2 | | | | Checked | | |
| | 1 | | | | 09/06/14 A.L. | | |
| | nº | Modified | Date | Reason | General Tolerance | Assembly | |
| Comments | | | | | - | Part name | Air Dryer / Secador de aire |
| | | | | | Material | ID. Reference | 2210172 |
| | | | | | - | Scale: - | |
| | | | | | - | Review: 0 | |


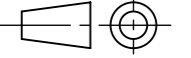


DETAIL / DETALLE A
SCALE / ESCALA 1 : 1



VIEW / VISTA B



| | | | | | | | |
|--------------|-------------|------|--------|-------------------|---|-----------------------------|---|
| Modification | 4 | | | Drawn |  | | F |
| | 3 | | | 09/06/14 A.U. | | | |
| | 2 | | | Checked | | | |
| | 1 | | | 09/06/14 A.L. | | | |
| | nº Modified | Date | Reason | General Tolerance | Assembly | - | |
| Comments | | | | ISO 2768 c-K | Part name | Air Dryer / Secador de aire | |
| | | | | Material | ID. Reference | 2210172 | |
| | | | | | Scale: 1/2 | |  |
| | | | | | Review: 0 | | |