

1

2

3

4

A

**Technical sheet / Datos técnicos:**

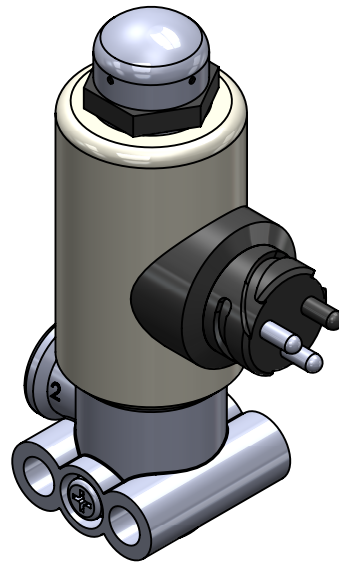
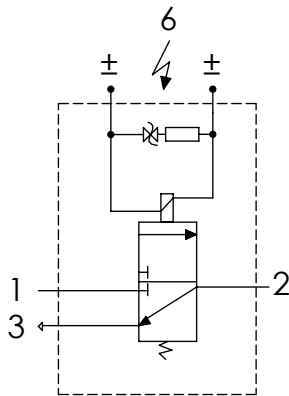
|  |                                     |
|--|-------------------------------------|
| Part number adaptable to / Referencia adaptable a  | 4721706040                          |
| Working pressure / Presión de trabajo              | max. 10.2 bar                       |
| Type of current / Tipo de corriente:               | Direct current / Corriente continua |
| Voltage / Voltaje:                                 | 24 V                                |
| Nominal current / Corriente nominal:               | 0.69 A                              |
| Permissible medium / Medio de funcionamiento       | Air / Aire                          |
| Operating temperature range / Rango de temperatura | -40°C to / a +80°C                  |
| Weight / Peso                                      | 530 gr                              |

B

B

C

C



D

D

| Port / Conexión | Function / Función    | Thread / Rosca                      |
|-----------------|-----------------------|-------------------------------------|
| 1               | Supply / Alimentación | M12x1.5                             |
| 2               | Delivery / Salida     | M12x1.5                             |
| 3               | Exhaust / Escape      | -                                   |
| 6               | Conector / Conector   | 2 pins connector / Conector 2 pines |

E

E

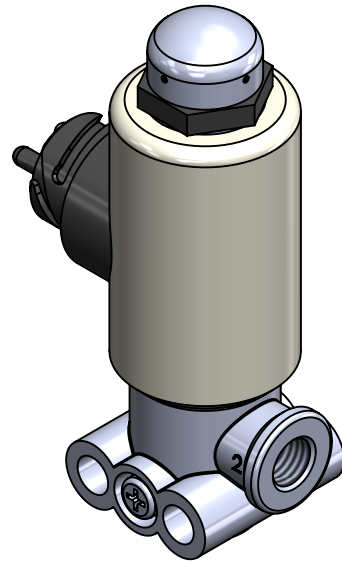
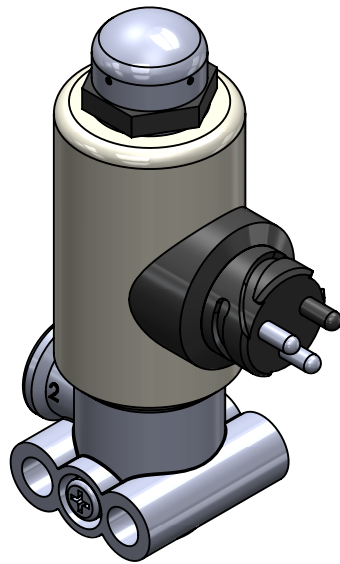
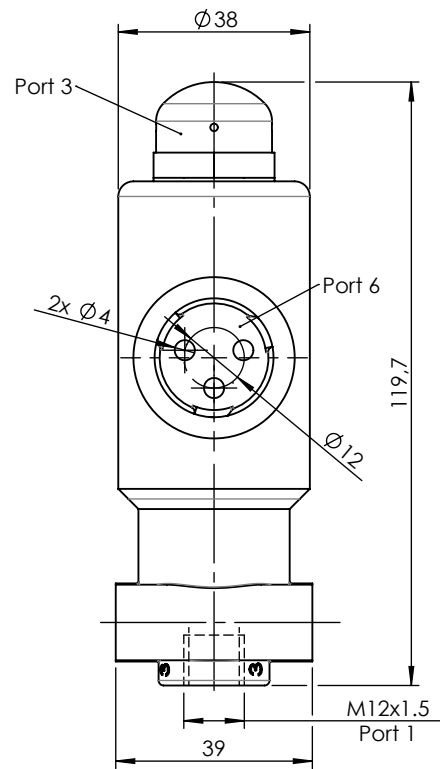
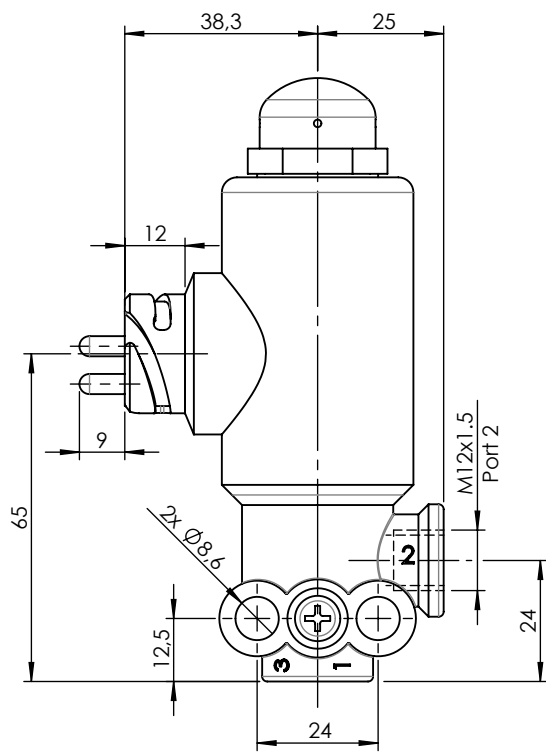
**Purpose / Propósito:** Allow air flows to delivery port when the solenoid is activated / Permitir el paso de aire hacia la conexión de salida cuando se activa el solenoide.


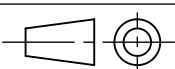
**Installation requirements / Requisitos para la instalación:** The valve must be installed using 2 screws M8. / La válvula debe ser instalada usando dos tornillos M8.

F

F

|              |    |          |      |        |                   |               |          |
|--------------|----|----------|------|--------|-------------------|---------------|----------|
| Modification | 4  |          |      |        | Drawn             |               |          |
|              | 3  |          |      |        | 26/10/20 S.F.     |               |          |
|              | 2  |          |      |        | Checked           |               |          |
|              | 1  |          |      |        | 26/10/20 O.V.     |               |          |
|              | nº | Modified | Date | Reason | General Tolerance |               | Assembly |
| Comments     |    |          |      |        | -                 | Part name     | Solenoid |
|              |    |          |      |        | Material          | ID. Reference | 2218222  |
|              |    |          |      |        | -                 | Scale: -      |          |
|              |    |          |      |        | -                 | Review: 0     |          |



|          |              |          |      |        |                   |               |   |
|----------|--------------|----------|------|--------|-------------------|---------------|---|
| F        | Modification | 4        |      |        |                   | Drawn         |  |
|          |              | 3        |      |        |                   | 26/10/20 S.F. |   |
|          |              | 2        |      |        |                   | Checked       |   |
|          |              | 1        |      |        |                   | 26/10/20 O.V. |   |
|          | nº           | Modified | Date | Reason | General Tolerance | Assembly      |   |
| Comments |              |          |      |        | ISO 2768 c-K      | Part name     | Solenoid  |
|          |              |          |      |        | Material          | ID. Reference | 2218222   |
|          |              |          |      |        | -                 | Scale: 2/3    |  |
|          |              |          |      |        | -                 | Review: 0     |   |