

1

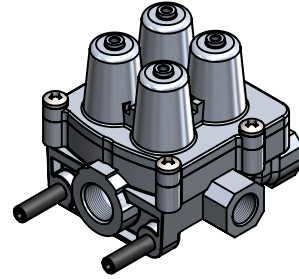
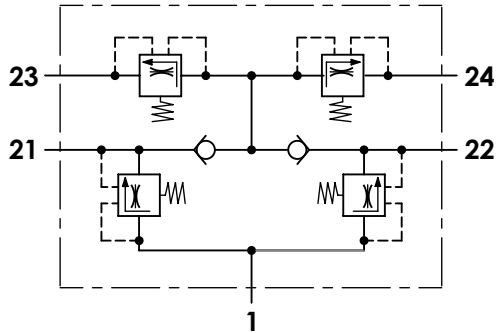
2

3

4

Technical sheet / Datos técnicos:

| | |
|--|--------------------|
| Part number adaptable to / Referencia adaptable a | 9347140340 |
| Operating pressure / Presión de trabajo | max. 13 bar |
| Permissible medium / Medio de funcionamiento | Air / Aire |
| Operating temperature range / Rango de temperatura | -40°C to / a +90°C |
| Weight / Peso | 700 gr |



| Port / Conexión | Function / Función | | | | Thread / Rosca |
|---|----------------------------------|----|----------------------------------|----|----------------|
| 1 | Supply / Alimentación | | | | 1/2"-14 P.T.F |
| 21 | Delivery / Salida | | | | 3/8"-18 P.T.F |
| 22 | Delivery / Salida | | | | 3/8"-18 P.T.F |
| 23 | Delivery / Salida | | | | 3/8"-18 P.T.F |
| 24 | Delivery / Salida | | | | 3/8"-18 P.T.F |
| Circuit / Circuito | 1 | 2 | 3 | 4 | |
| Port / Conexión | 21 | 22 | 23 | 24 | |
| Opening pressure / Presión de apertura (bar) | 7,0 ⁰ _{-0,3} | | 7,0 ⁰ _{-0,3} | | |
| Closing pressure dynamic / Presión de cierre dinámica (bar) | ≥ 5,3 | | ≥ 5,3 | | |

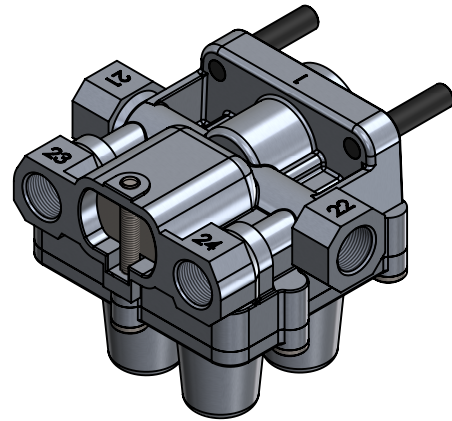
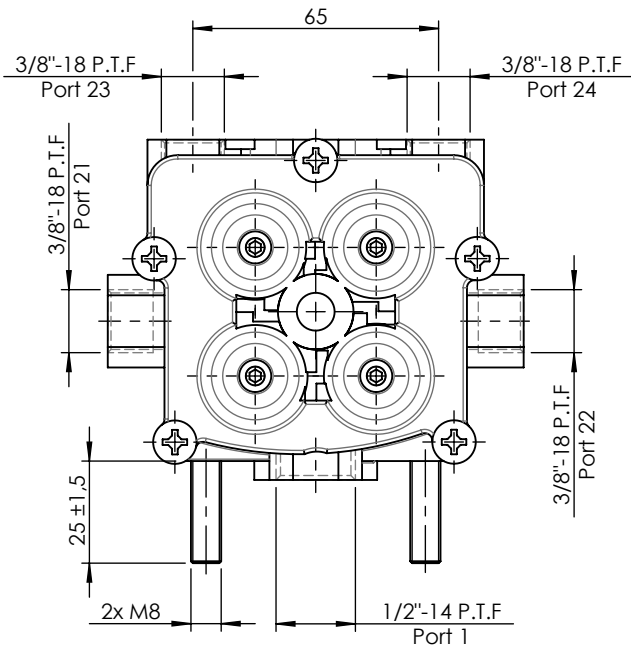
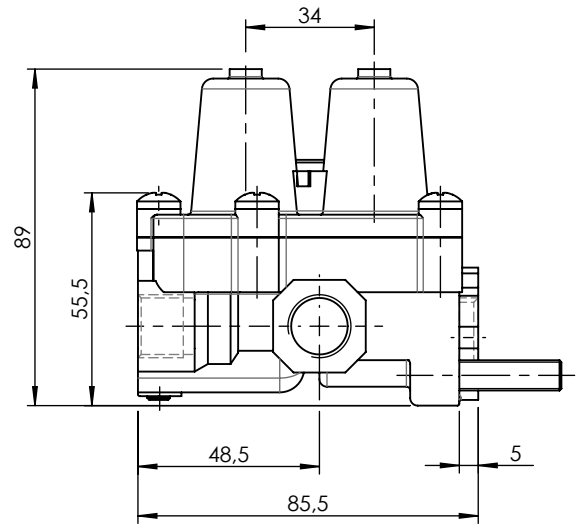
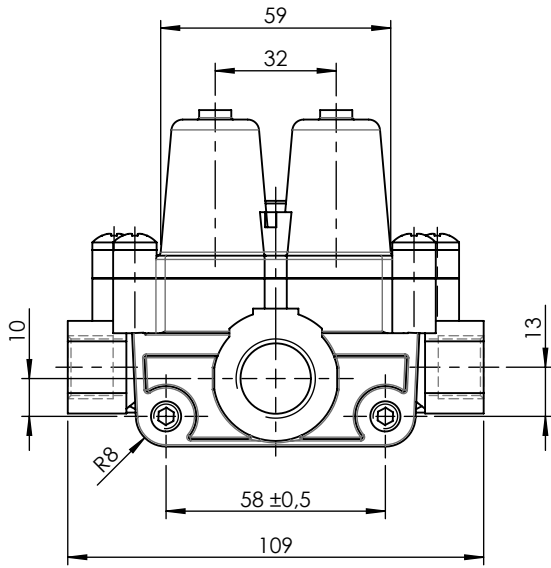
Purpose / Propósito:


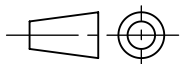
To distribute clean and dry air from the air dryer to different pneumatic circuits. Ensure pressure in brake circuits in case of leaks or breakage in any circuit./ Distribuir el aire limpio y seco proveniente del secador a los diferentes circuitos neumáticos. Asegurar la presión en los circuitos de freno en caso de fuga o rotura en cualquier circuito.

Installation requirements / Requisitos para la instalación:

The protection valve may be installed into the piping in any position. Mounting is accomplished by using two studs M8. / La válvula de protección puede instalarse en las tuberías en cualquier posición. El montaje se realiza mediante dos espárragos M8.

| | | | | | | | |
|--------------|----|----------|----------|------------------------|-------------------|--------------------------|-----------|
| Modification | 4 | | | | Drawn | | |
| | 3 | | | | 29/08/13 O.V. | | |
| | 2 | | | | Checked | | |
| | 1 | J.S. | 02/06/21 | Change of sheet format | 29/08/13 A.L. | | |
| | nº | Modified | Date | Reason | General Tolerance | | Assembly |
| Comments | | | | | Part name | Protection circuit valve | |
| | | | | | Material | ID. Reference | 2222418 |
| | | | | | Scale: - | | Sheet 1/2 |
| | | | | Review: 1 | | | |



| | | | | | | | |
|---|--------------|----|----------|----------|------------------------|-------------------|---|
| F | Modification | 4 | | | | Drawn |  |
| | | 3 | | | | 29/08/13 O.V. | |
| | | 2 | | | | Checked | |
| | | 1 | J.S. | 02/06/21 | Change of sheet format | 29/08/13 A.L. | |
| | | n° | Modified | Date | Reason | General Tolerance | |
| | Comments | | | | ISO 2768 c-K | Part name | Protection circuit valve |
| | | | | | Material | ID. Reference | 2222418 |
| | | | | | - | Scale: 1/2 |  |
| | | | | | - | Review: 1 | |