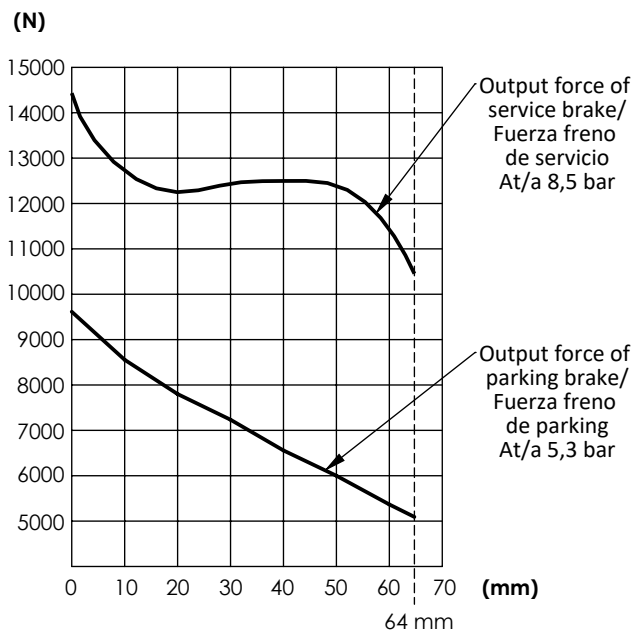
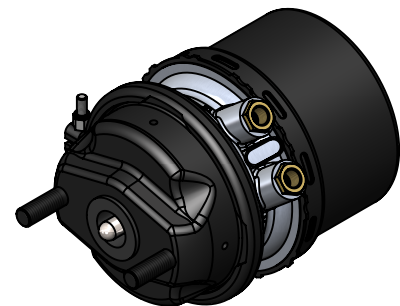
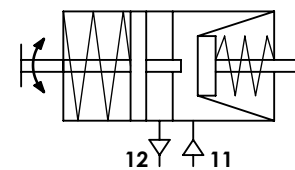


Technical sheet / Datos técnicos:

| | |
|---|--------------------|
| Type / Tipo: | 24/24 IBV |
| Max. working pressure / Presión máxima de trabajo: | 10 bar |
| Permissible medium / Medio de funcionamiento: | Air / Aire |
| Operating temperature range / Rango de temperatura: | -40°C to / a +80°C |
| Operating stroke / Carrera funcional: | 64/64 mm |
| Weight / Peso: | 8900 gr |

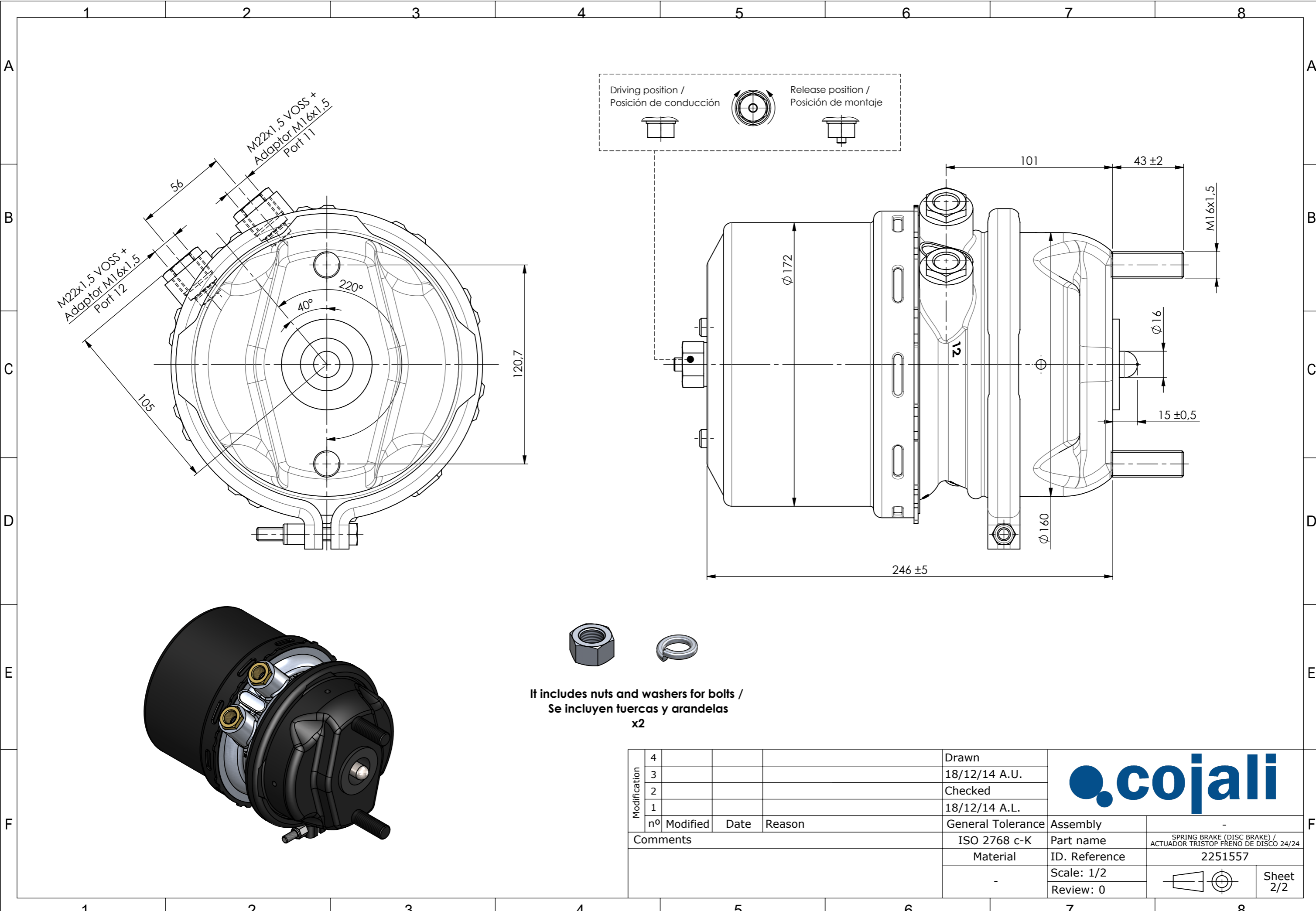
Force diagram / Diagrama de fuerzas**Pneumatic scheme / Esquema neumático****Purpose / Propósito:**

The brake actuator is used to produce the braking force for the wheel brakes. / El actuador de freno se utiliza para generar la fuerza de frenado en las ruedas.

Installation requirements / Requisitos para la instalación:

The brake actuator should be mounted horizontally, with ports on the top and the bleed hole pointing downwards so that any water that is splashed into the unit can drain out. / El actuador debe ser montado horizontalmente, con las bocas hacia arriba y el escape hacia abajo, de manera que el agua no pueda entrar en las cámaras.

| | | | | | | | |
|--------------|----------|----------|------|--------|-------------------|---------------|--|
| Modification | 4 | | | | Drawn | | |
| | 3 | | | | 18/12/14 A.U. | | |
| | 2 | | | | Checked | | |
| | 1 | | | | 18/12/14 A.L. | | |
| F | nº | Modified | Date | Reason | General Tolerance | Assembly | |
| | Comments | | | | - | Part name | SPRING BRAKE (DISC BRAKE) / ACTUADOR TRISTOP FRENO DE DISCO 24/24 |
| | | | | | Material | ID. Reference | 2251557 |
| | | | | | - | Scale: - | |
| | | | | - | Review: 0 | Sheet 1/2 | |



| | | | | | |
|--------------|-------------|------|--------|-------------------|---------------|
| Modification | 4 | | | Drawn | |
| | 3 | | | 18/12/14 A.U. | |
| | 2 | | | Checked | |
| | 1 | | | 18/12/14 A.L. | |
| | nº Modified | Date | Reason | General Tolerance | Assembly |
| Comments | | | | ISO 2768 c-K | Part name |
| | | | | Material | ID. Reference |
| | | | | - | Scale: 1/2 |
| | | | | - | Review: 0 |
| | | | | | |
| | | | | | Sheet 2/2 |

cojali

SPRING BRAKE (DISC BRAKE) /
ACTUADOR TRISTOP FRENO DE DISCO 24/24

2251557

Sheet 2/2