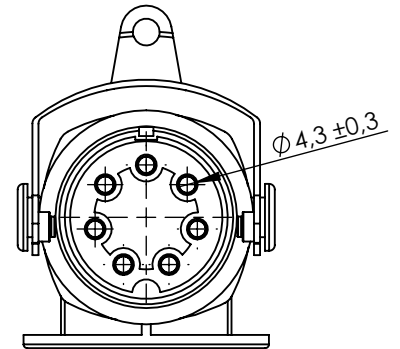
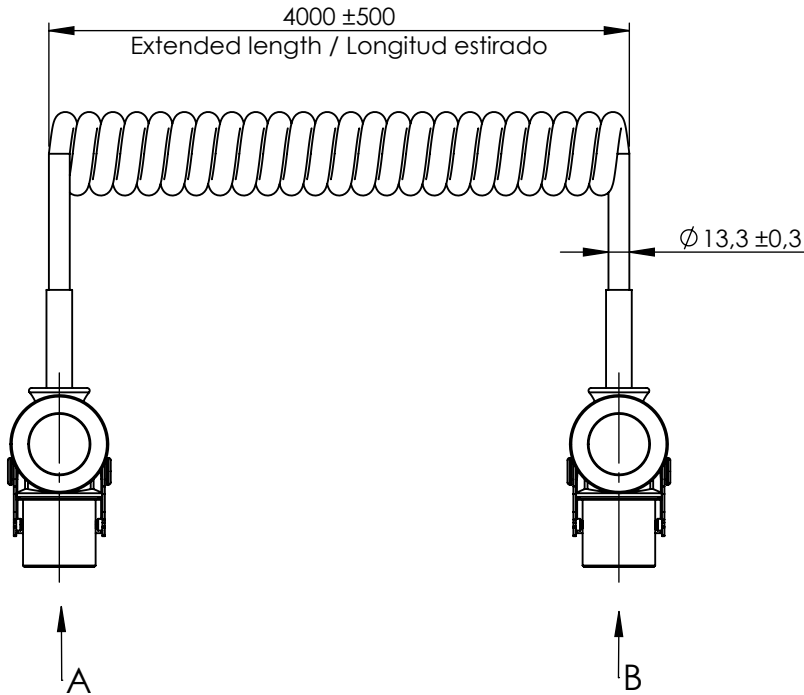
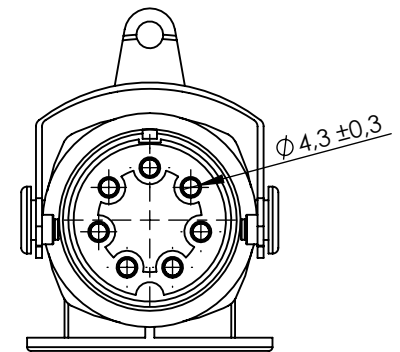
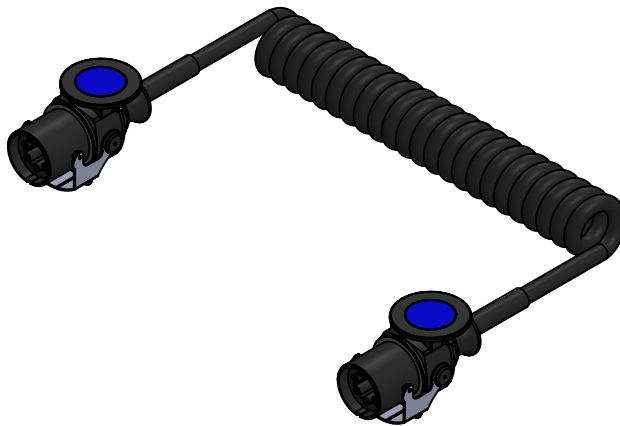


**Technical data/ Datos técnicos:**

Part number adaptable to / Referencia adaptable a	4460082430
Operating temperature range / Rango de temperatura	-40°C a/to 80°C
Weight / Peso	1500 gr



VIEW / VISTA A  
7 PIN ISO (1)



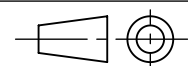
VIEW / VISTA B  
7 PIN ISO (2)

Modification	4				Drawn
	3				25/08/20 S.F.
	2				Checked
	1	S.F.	02/08/23	Add table of continuity between pins	25/08/20 E.L.
	nº	Modified	Date	Reason	General Tolerance
Comments					Assembly
					Part name
					ID. Reference
					Scale: 1/5
				Review: 1	



Serpentine 7Pin EBS ISO7638/  
Serpentina 7Pin EBS ISO7638

2260113



Sheet  
1/2

1

2

3

4

A

A

## Continuity between pins / Continuidad entre pines

7 PIN ISO (1)

7 PIN ISO (2)

1

1

2

2

3

3

4

4

5

5

6

6

7

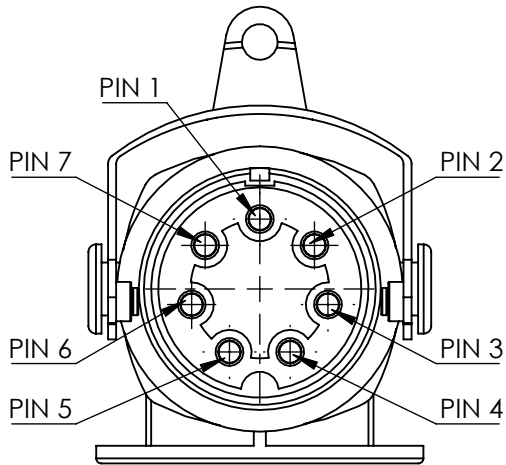
7

B

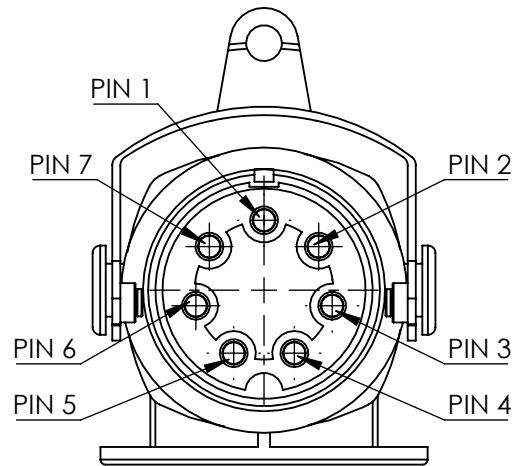
B

C

C



7 PIN ISO (1)



7 PIN ISO (2)

D

D

E

E

F

F

Modification

4

Drawn

3

25/08/20 S.F.

2

Checked

1

S.F.

02/08/23

Add table of continuity between pins

25/08/20 E.L.

nº

Modified

Date

Reason

General Tolerance

Assembly

Comments

ISO 2768 c-K

Part name

Serpentine 7Pin EBS ISO7638/  
Serpentina 7Pin EBS ISO7638

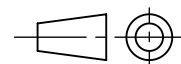
Material

ID. Reference

2260113

Scale: 1/5

Review: 1

Sheet  
2/2