

1

2

3

4

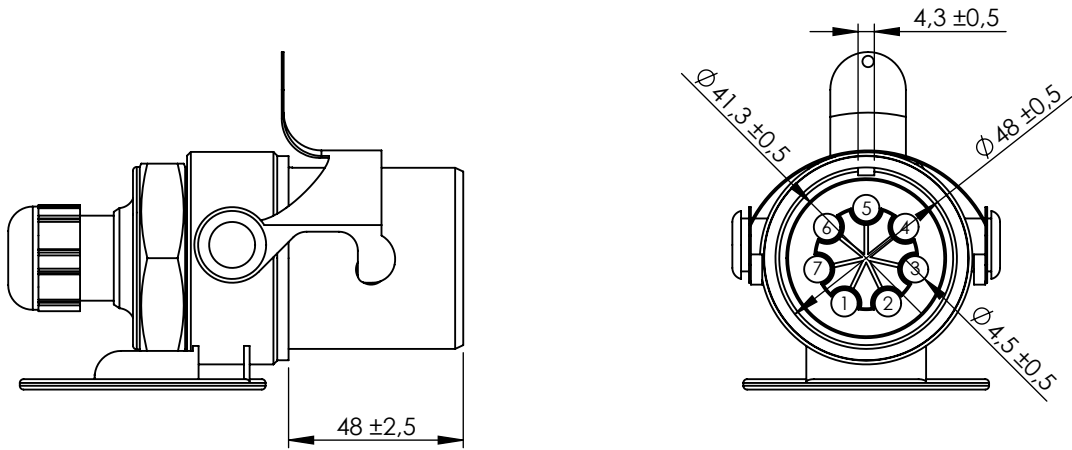
A

**Technical data/ Datos técnicos:**

According to/ En referencia a:	4490084142
Operating temperature range/ Rango de temperatura:	-40°C a/to 80°C
Weight/ Peso:	246 gr

B

B



C

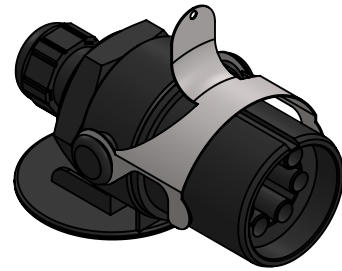
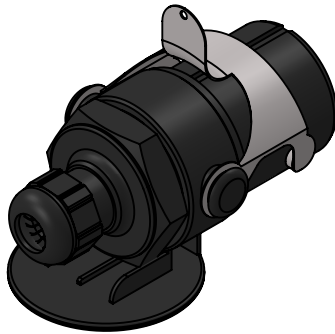
C

D

D

E

E



F

F

Modification	4				Drawn			
	3				25/08/20 S.F.			
	2				Checked			
	1				25/08/20 E.L.			
	nº	Modified	Date	Reason	General Tolerance		Assembly	
Comments					ISO 2768 c-K	Part name	Serpentine connector/Conector de serpentina	
					Material	ID. Reference	2260115	
					-	Scale: 1/2		Sheet 1/1
					-	Review: 0		