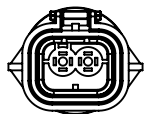
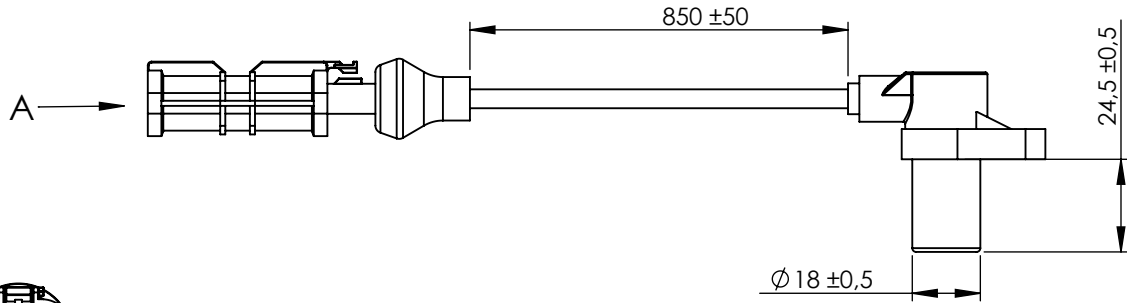
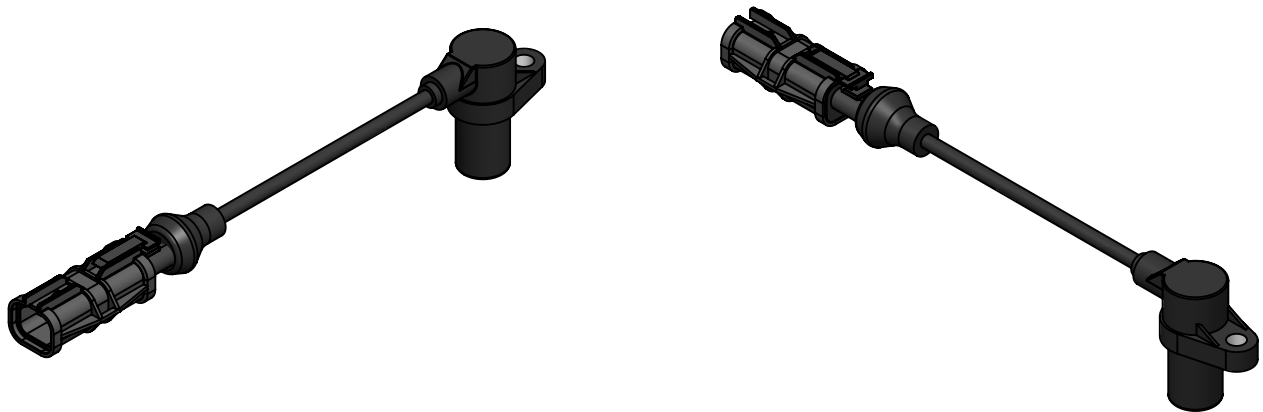
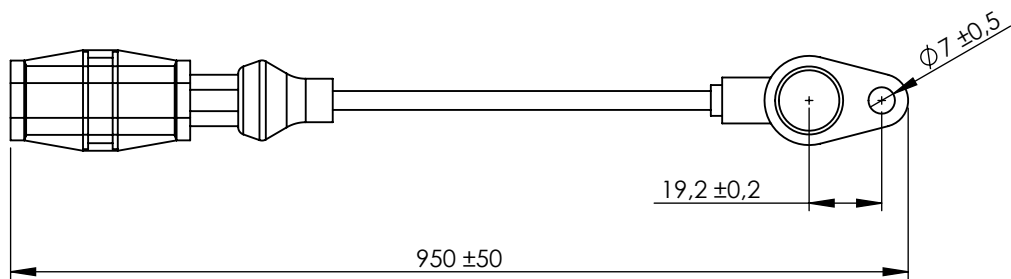


Technical data/ Datos técnicos:

| | |
|--|-----------------|
| According to/ En referencia a: | 51271200015 |
| Operating temperature range/ Rango de temperatura: | -40°C a/to 80°C |
| Weight/Peso: | 88 gr |



VIEW/VISTA A



| | | | | | | |
|----------|--------------|------|--------|-------------------|---------------|-----------------------------------|
| F | Modification | | | | Drawn | |
| | 4 | | | | 06/08/20 S.F. | |
| | 3 | | | | Checked | |
| | 2 | | | | 06/08/20 E.L. | |
| | 1 | | | | | |
| nº | Modified | Date | Reason | General Tolerance | Assembly | - |
| Comments | | | | ISO 2768 c-K | Part name | RPM sensor/Sensor de revoluciones |
| | | | | Material | ID. Reference | 2260303 |
| | | | | - | Scale: 1/2 | |
| | | | | - | Review: 0 | |