

1

2

3

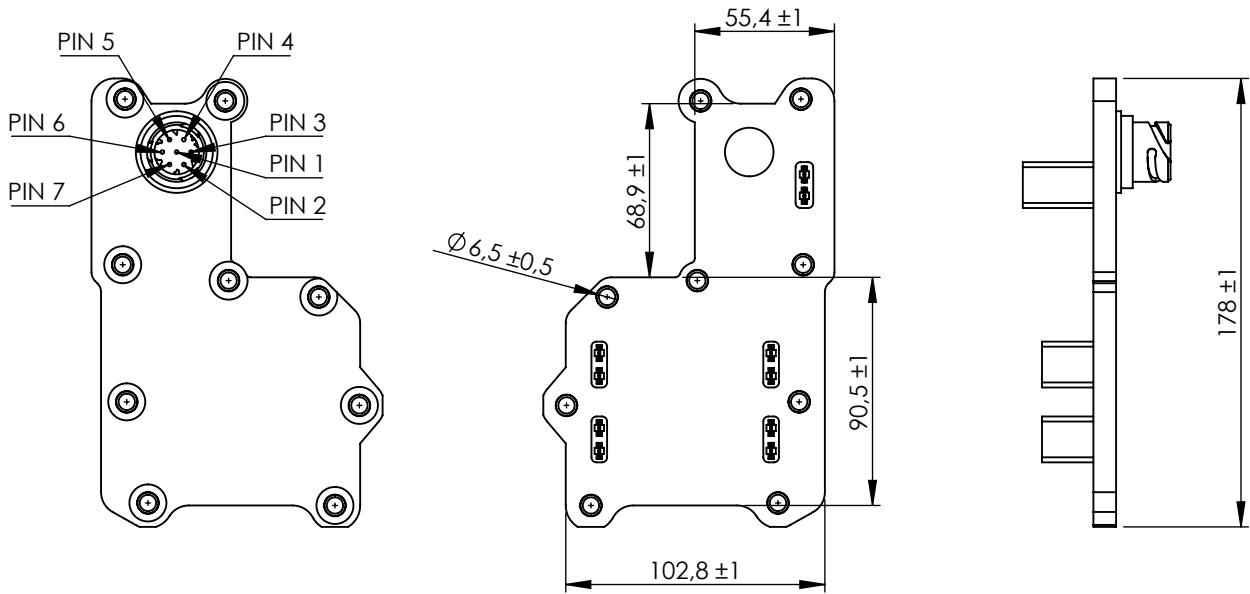
4

A

Technical data/ Datos técnicos:

According to/En referencia a:	4213503112
Operating temperature range/ Rango de temperatura:	-40°C a/to 80°C
Weight/Peso:	199 gr

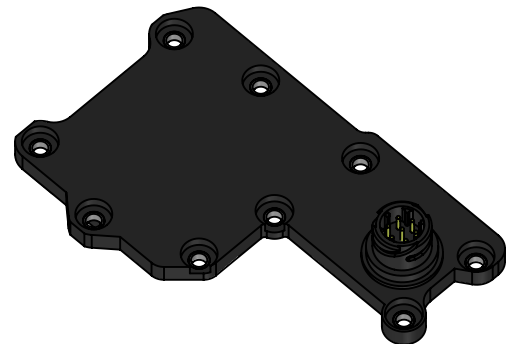
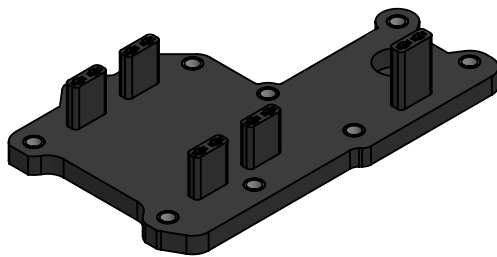
B



C

D

E



F

Modification	4				Drawn			
	3				31/08/20 S.F.			
	2				Checked			
	1				31/08/20 E.L.			
	nº	Modified	Date	Reason	General Tolerance		Assembly	
Comments					ISO 2768 c-K	Part name	Connection cover/Tapa de conexión	
					Material	ID. Reference	2260720	
					-	Scale: 1/3		Sheet 1/1
					-	Review: 0		