

1

2

3

4

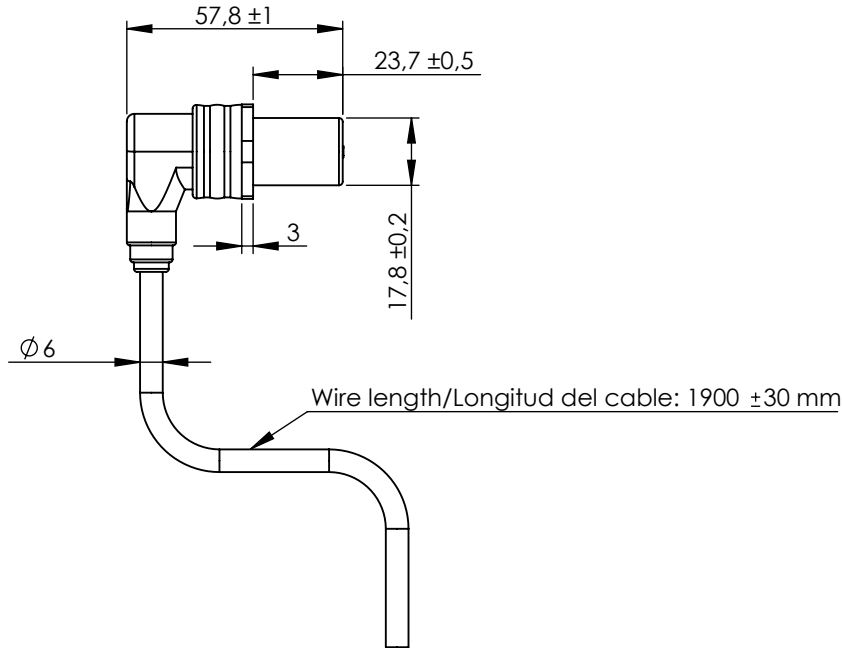
A

**Technical data/ Datos técnicos:**

According to/ En referencia a:	1457304
Operating temperature range/ Rango de temperatura:	-40°C a/to 80°C
Weight/Peso:	163,5 gr

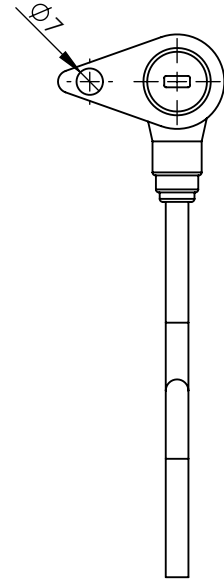
A

B



B

C



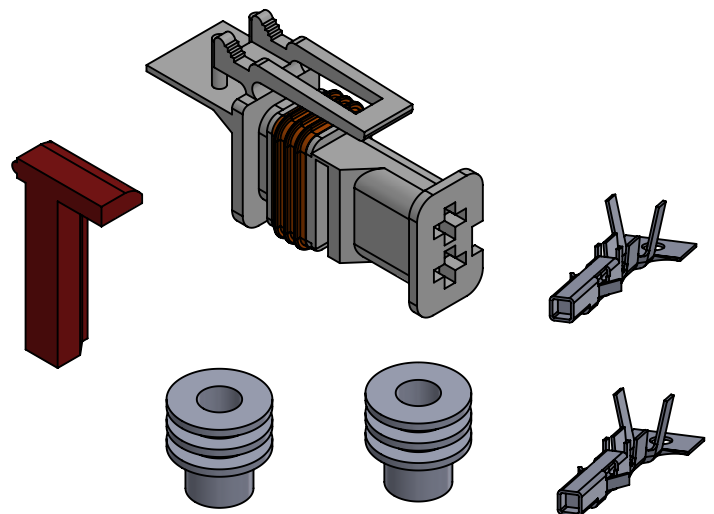
C

D



D

E



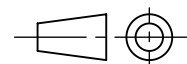
E

INCLUDED/INCLUIDO

F

Modification	4					Drawn
	3					17/07/20 S.F.
	2					Checked
	1					17/07/20 E.L.
	nº	Modified	Date	Reason	General Tolerance	Assembly
Comments					ISO 2768 c-K	Part name
					Material	ID. Reference
					-	Scale: 1/2
						Review: 0

F

Sheet  
1/1