

1

2

3

4

A

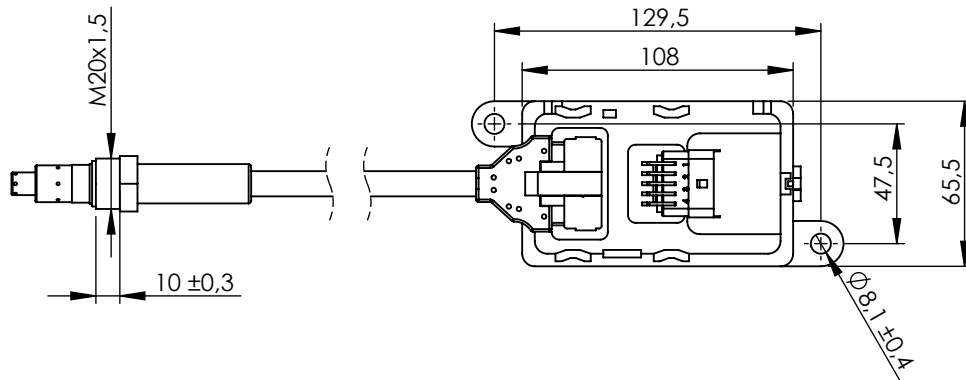
Technical data/ Datos técnicos:

According to/ En referencia a:	22827993
Operating temperature range/Rango de temperatura:	-40°C a/to 80°C
Weight/ Peso	324 gr

PIN 1	CAN H
PIN 2	CAN L
PIN 3	GAND / MASA
PIN 4	+24 V

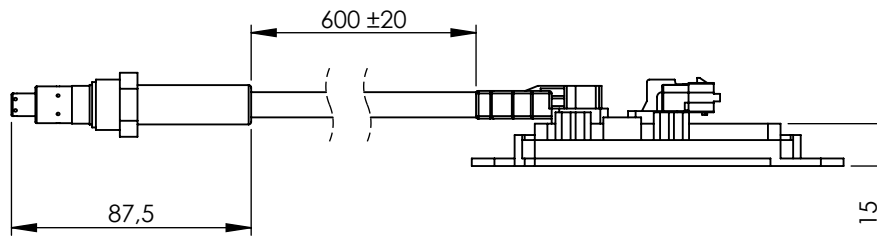
A

B



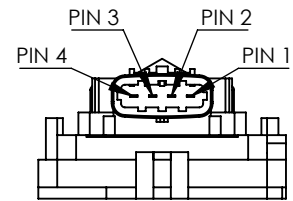
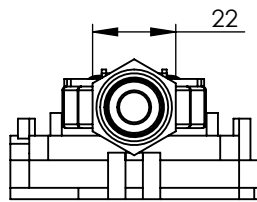
B

C



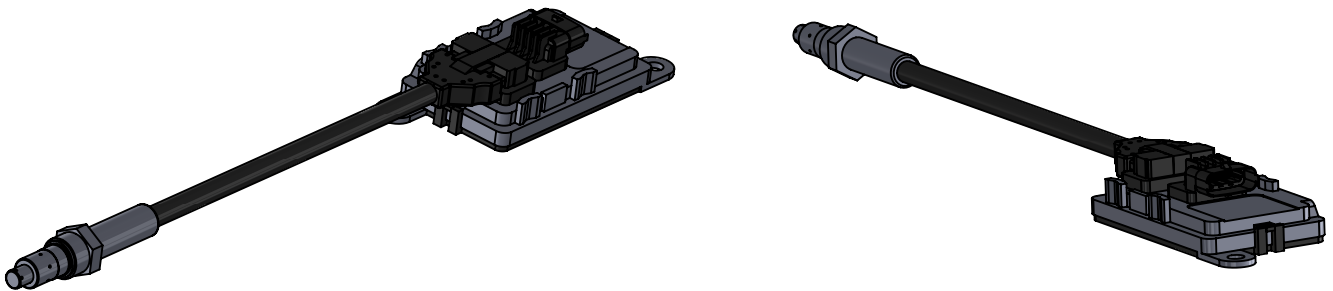
C

D



D

E

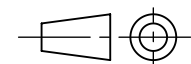


E

F

Modification	4				Drawn	
	3				11/09/20 S.F.	
	2				Checked	
	1				11/09/20 E.L.	
nº	Modified	Date	Reason	General Tolerance	Assembly	
Comments					ISO 2768 c-K	Part name
					Material	ID. Reference
					-	Scale: 1/3
					-	Review: 0

F

Sheet
1/1