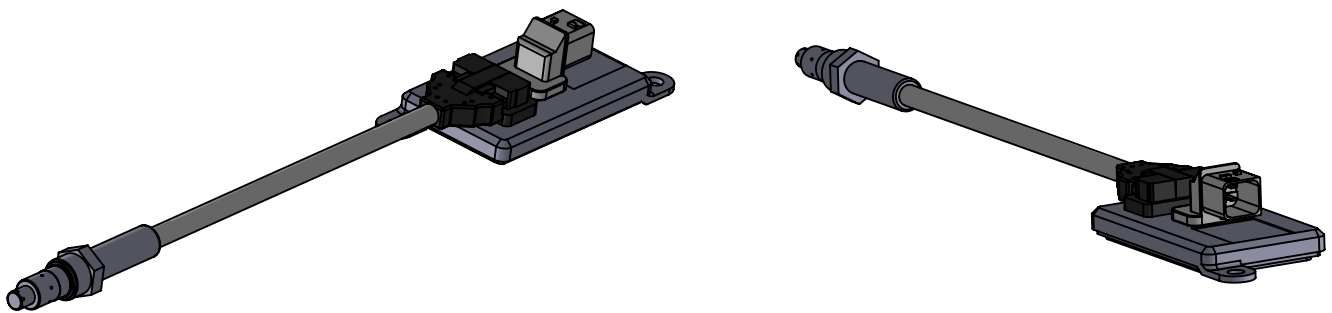
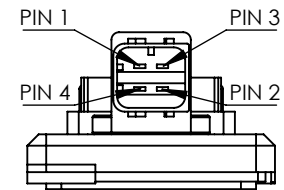
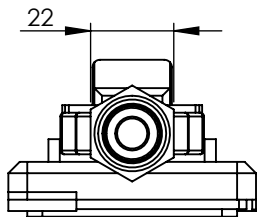
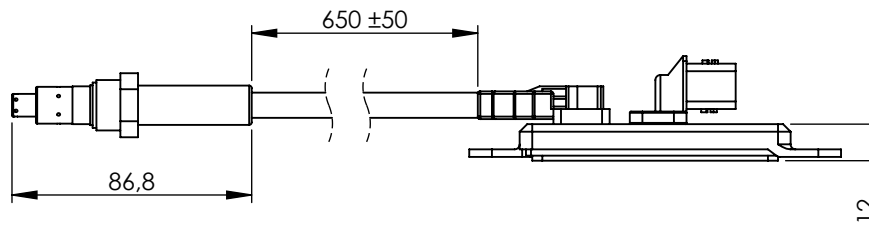
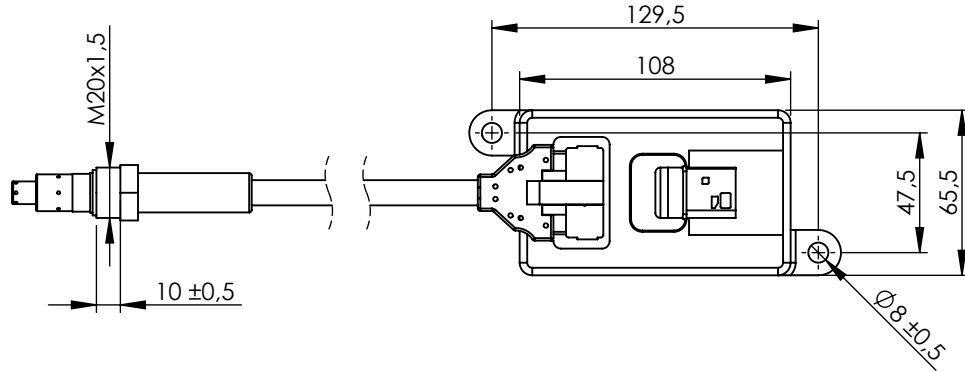


Technical data/ Datos técnicos:

According to/ En referencia a:	0101539528
Operating temperature range/Rango de temperatura:	-40°C a/to 80°C
Weight/ Peso	309 gr

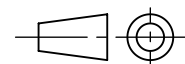
PIN 1	+24V
PIN 2	CAN L
PIN 3	CAN H
PIN 4	GND/MASA



Modification	4				Drawn
	3				11/09/20 S.F.
	2				Checked
	1				11/09/20 E.L.
F	nº	Modified	Date	Reason	General Tolerance
	Comments				ISO 2768 c-K
					Material
					-
					Assembly
					Part name
					ID. Reference
					Scale: 1/3
					Review: 0



NOx sensor/Sensor NOx
2269019



Sheet
1/1