

1

2

3

4

A

**Technical Data/ Datos Técnicos:**

A

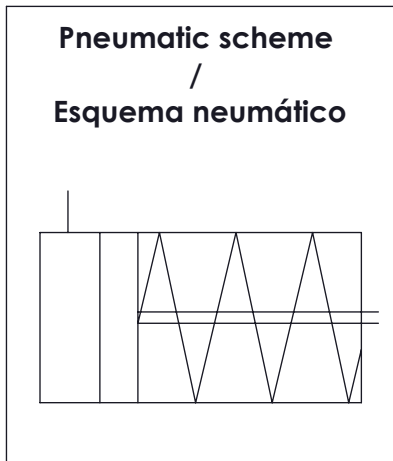
Part number adaptable to/ Referencia adaptable a:	SZ1115
Hydraulic fluid/ Fluido hidráulico:	Air/Aire
Thermal range/ Rango de temperatura:	-30 °C to/ a +100 °C
Supply pressure/ Presión de alimentación:	max. 8 bar
Stroke/ Carrera:	50 mm
Weight/ Peso:	300 gr

B

B

C

C

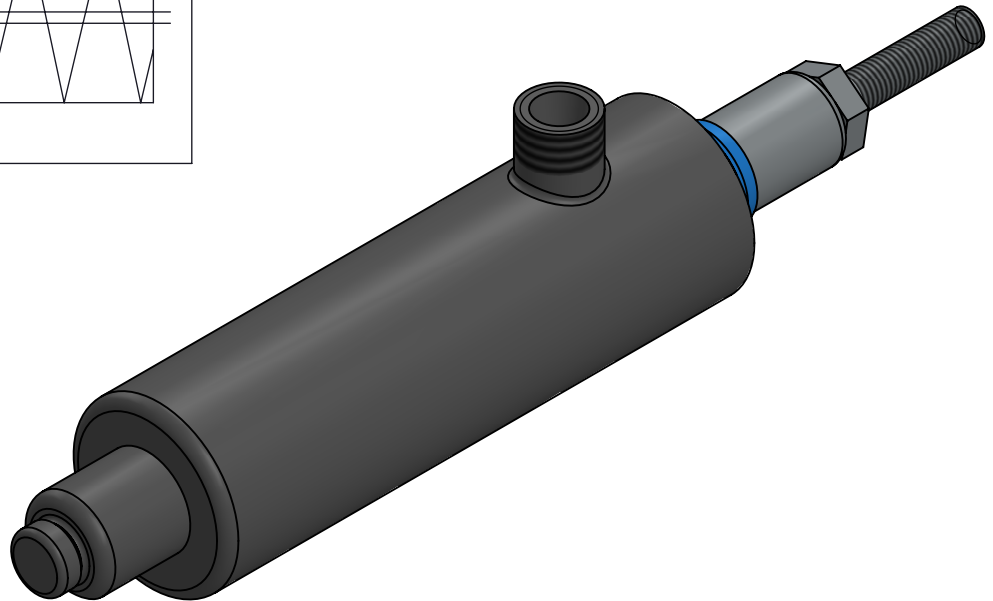


D

D

E

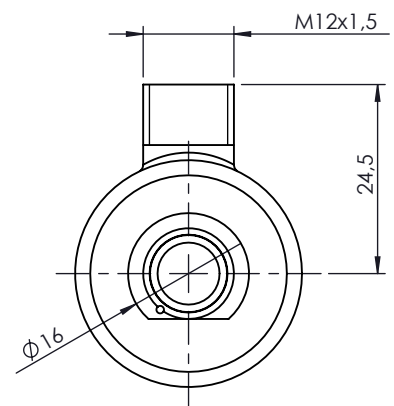
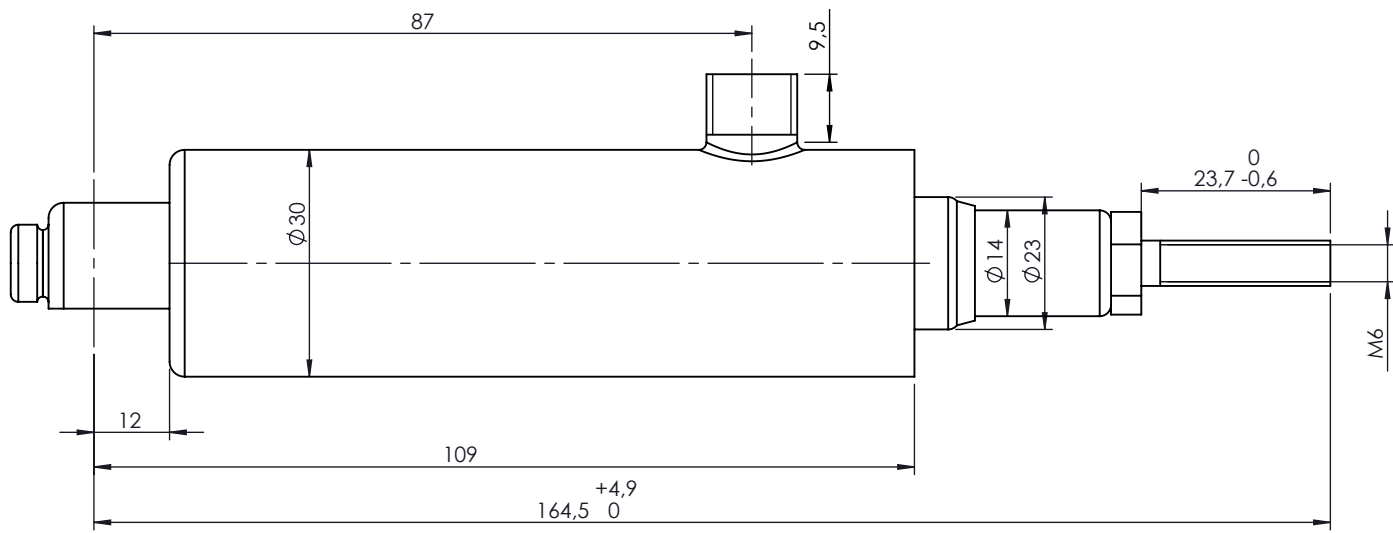
E



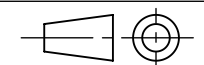
F

F

Modification	4				Drawn		
	3				02/09/20 S.F.		
	2				Checked		
	1				02/09/20 O.V.		
	nº	Modified	Date	Reason	General Tolerance		Assembly
Comments					-	Part name	Operating cylinder/Cilindro operacional
					Material	ID. Reference	2301201
					-	Scale: -	
					-	Review: 0	



Modification	4				Drawn		
	3				02/09/20 S.F.		
	2				Checked		
	1				02/09/20 O.V.		
	nº	Modified	Date	Reason	General Tolerance	Assembly	
Comments					-	Part name	Operating cylinder/Cilindro operacional
					Material	ID. Reference	2301201
					-	Scale: -	
					-	Review: 0	



Sheet  
2/2