

1

2

3

4

A

**Technical Data/ Datos Técnicos:**

Part number adaptable to/ Referencia adaptable a:	SZ1161
Hydraulic fluid/ Fluido hidráulico:	Air/Aire
Thermal range/ Rango de temperatura:	-20 °C to/ a +120 °C
Supply pressure/ Presión de alimentación:	max. 8 bar
Stroke/ Carrera:	42 mm
Weight/ Peso:	256 gr

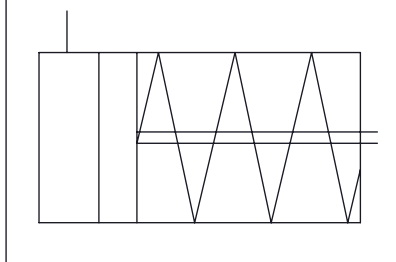
B

B

C

C

**Pneumatic scheme  
/  
Esquema neumático**

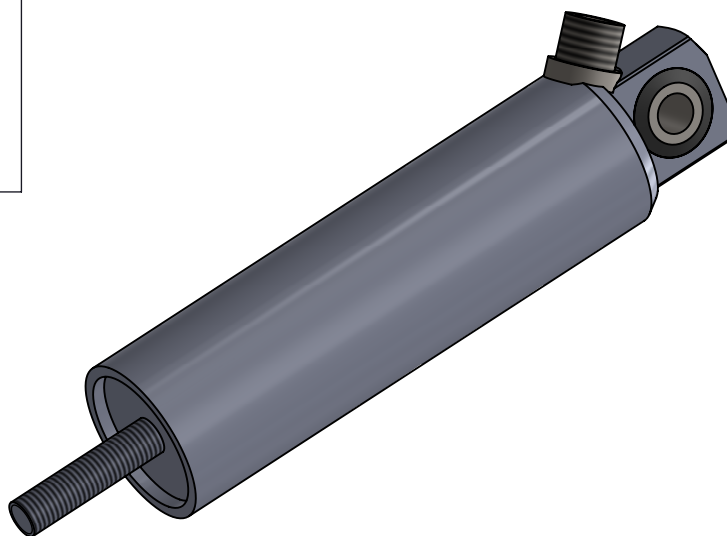


D

D

E

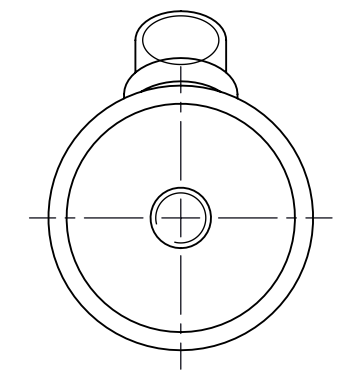
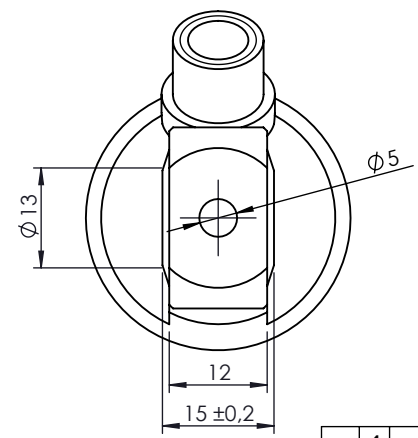
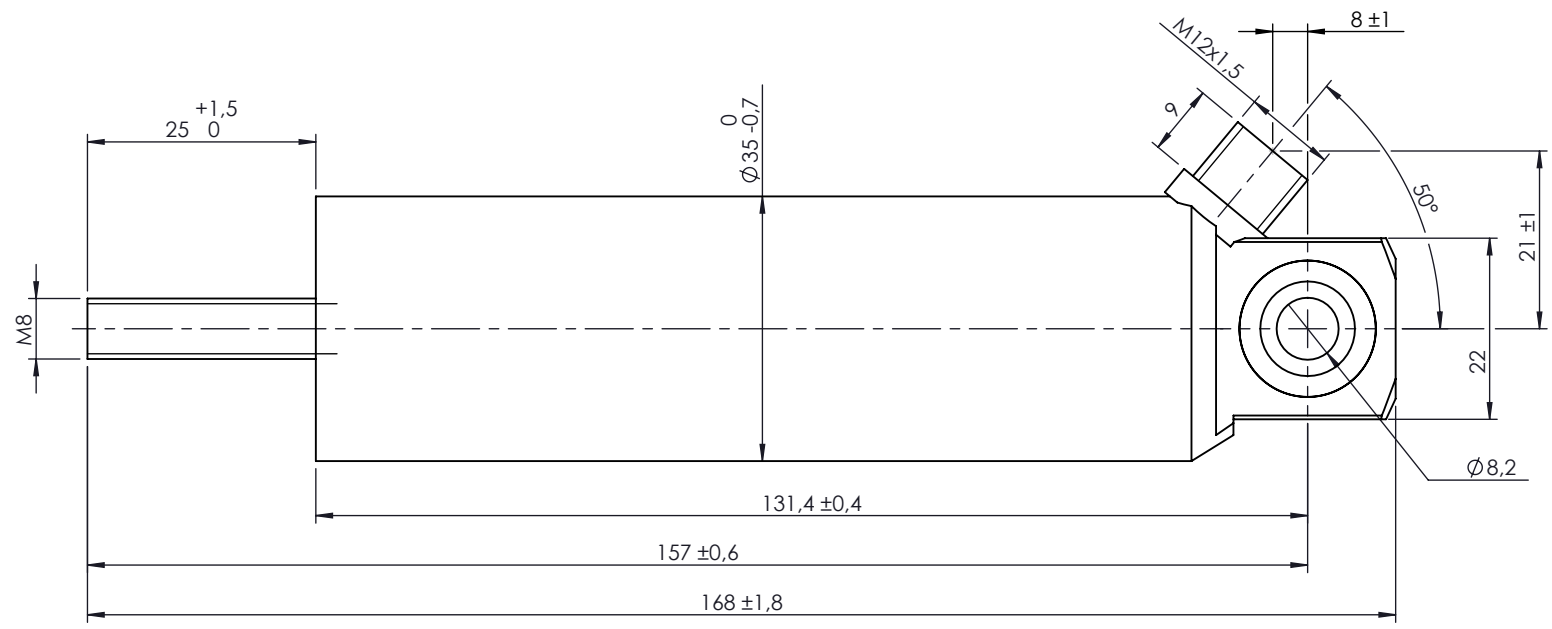
E



F

F

Modification	4				Drawn		
	3				02/09/20 S.F.		
	2				Checked		
	1				02/09/20 O.V.		
	nº	Modified	Date	Reason	General Tolerance		Assembly
Comments					-	Part name	Operating cylinder/Cilindro operacional
					Material	ID. Reference	2301205
					-	Scale: -	
					-	Review: 0	



Modification	4				Drawn		
	3				02/09/20 S.F.		
	2				Checked		
	1				02/09/20 O.V.		
	nº	Modified	Date	Reason	General Tolerance	Assembly	
Comments					-	Part name	Operating cylinder/Cilindro operacional
					Material	ID. Reference	2301205
					-	Scale: -	
					-	Review: 0	

