

1

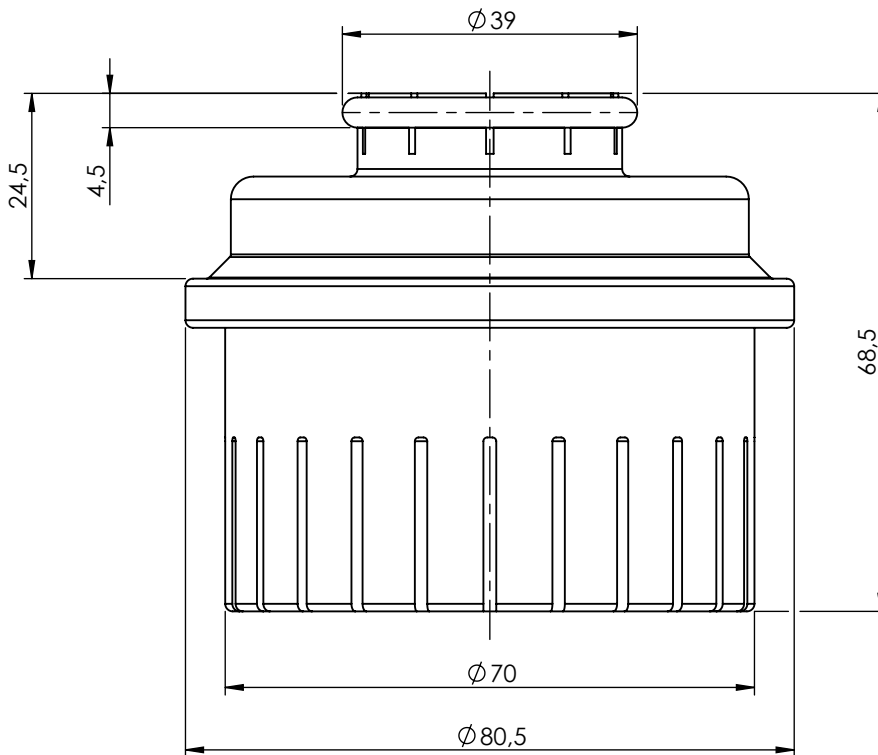
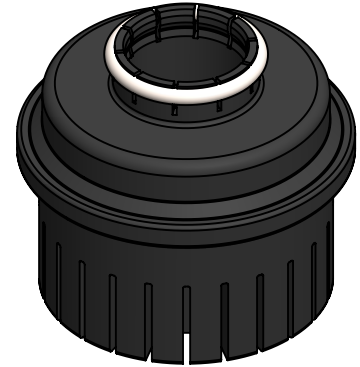
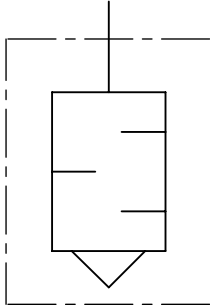
2

3

4

Technical data / Datos técnicos:

Part number adaptable to / Referencia adaptable a	0484210017
Working pressure / Presión de trabajo	max. 13 bar
Permissible medium / Medio de funcionamiento	Air / Aire
Operating temperature range / Rango de temperatura	-40 °C to / a +80 °C
Weight / Peso	205 gr

Pneumatic scheme / Esquema neumático:

Modification

4
3
2
1

Drawn

20/08/20 S.S.

Checked

20/08/20 O.V.

F

nº

Modified

Date

Reason

General Tolerance

Assembly

-

Comments

ISO 2768 v-K

Part name

Silencer

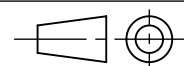
Material

ID. Reference

2303101

Scale: 1/1

Review: 0

Sheet
1/1