

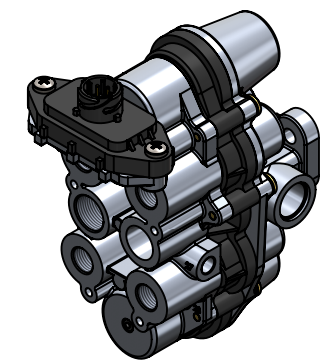
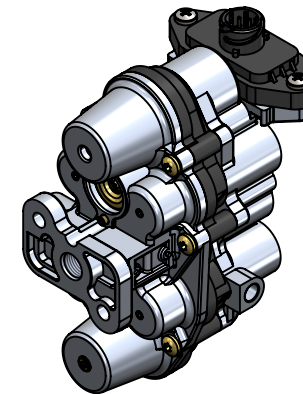
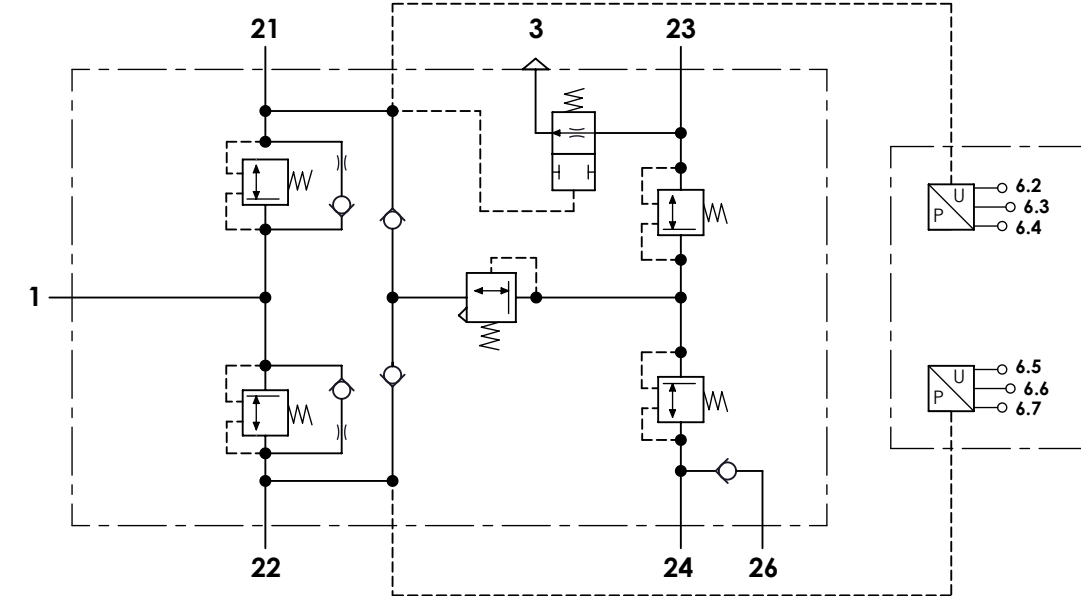
Technical sheet / Datos técnicos:

| | |
|--|----------------------|
| Part number adaptable to / Referencia adaptable a | AE4516 |
| Operating pressure / Presión de trabajo | max. 17 bar |
| Permissible medium / Medio de funcionamiento | Air / Aire |
| Operating temperature range / Rango de temperatura | -40 °C to / a +80 °C |
| Weight / Peso | 1900 gr |

| Port / Conexión | Function / Función | Thread / Rosca |
|-----------------|---|------------------------|
| 1 | Supply / Alimentación | M16x1,5 |
| 21 | Delivery to service brake circuit 1 / Salida al circuito del freno de servicio 1 | M16x1,5 |
| 22 | Delivery to service brake circuit 2 / Salida al circuito del freno de servicio 2 | M16x1,5 |
| 23 | Delivery to parking brake circuit and trailer / Salida al circuito del trailer y freno de parking | M16x1,5 |
| 24 | Delivery to auxiliary circuit / Salida al circuito de auxiliares | M16x1,5 |
| 26 | Delivery to gearbox circuit / Salida al circuito de la transmisión | M22x1,5 |
| 3 | Exhaust / Escape | - |
| 6 | Electric connection / Conexión eléctrica | Bayonet DIN 72585 A1-6 |

| Circuit / Circuito | 1 | 2 | 3 | 4 |
|---|----------------------------------|----|----------------------------------|-------|
| Port / Conexión | 21 | 22 | 23 | 24 26 |
| Opening pressure / Presión de apertura (bar) | 7,5 ^{+0,2} ₀ | | 8,0 ⁰ _{-0,2} | |
| Closing pressure static / Presión de cierre estática (bar) | 6,5 ± 0,25 | | 6,5 ± 0,25 | |
| Opening pressure of safety valve / Presión de apertura válvula de seguridad (bar) | - | | ≥ 9,2 | |
| Pressure limiting / Presión de limitación (bar) | - | | 8,5 ⁰ _{-0,3} | |

| Circuit / Circuito | 1 | | | 2 | | |
|--------------------|-----------------|------|-----|-----------------|------|-----|
| Contact / Contacto | 6.2 | 6.3 | 6.4 | 6.5 | 6.6 | 6.7 |
| Function / Función | Output / Salida | +5 V | GND | Output / Salida | +5 V | GND |



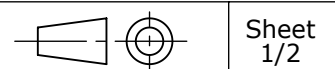
Purpose / Propósito:

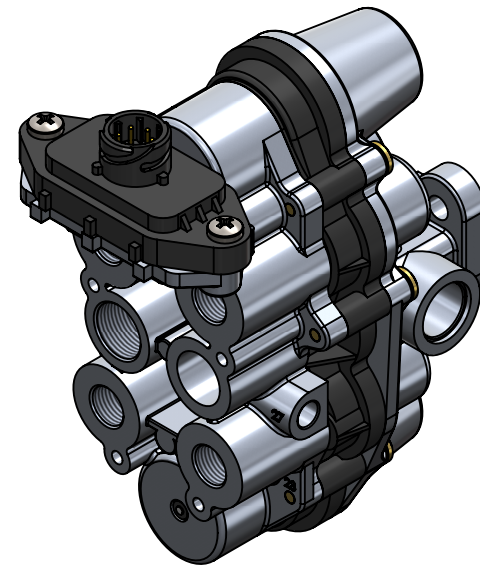
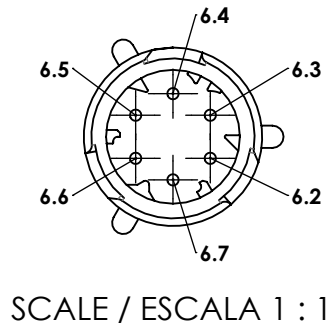
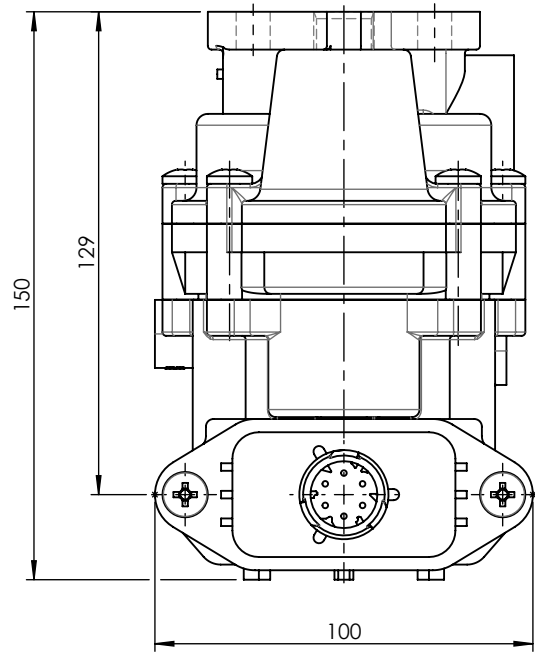
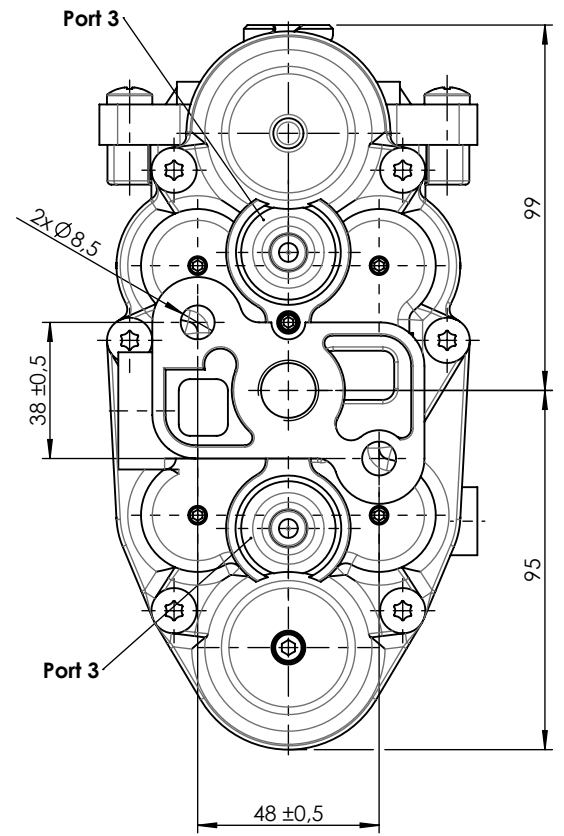
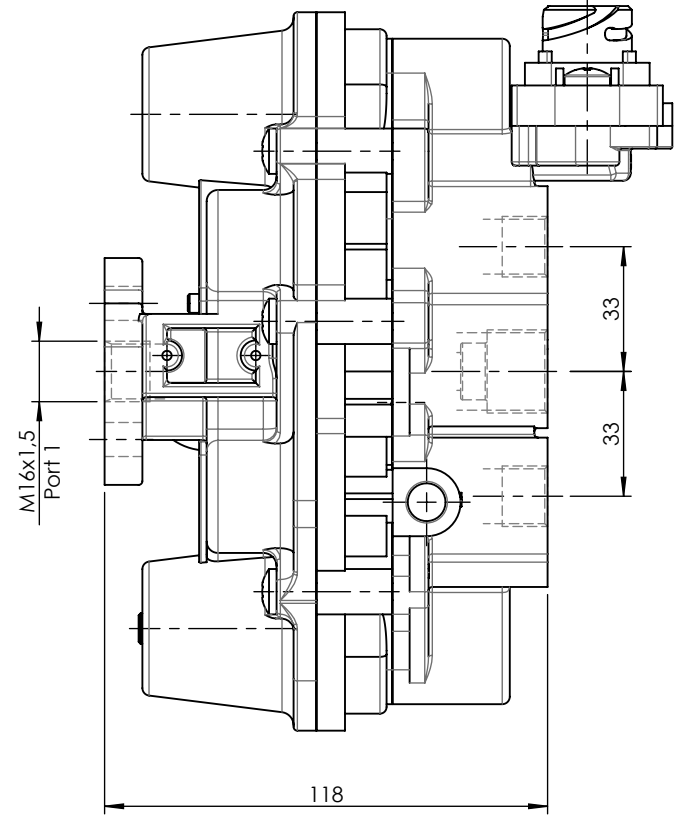
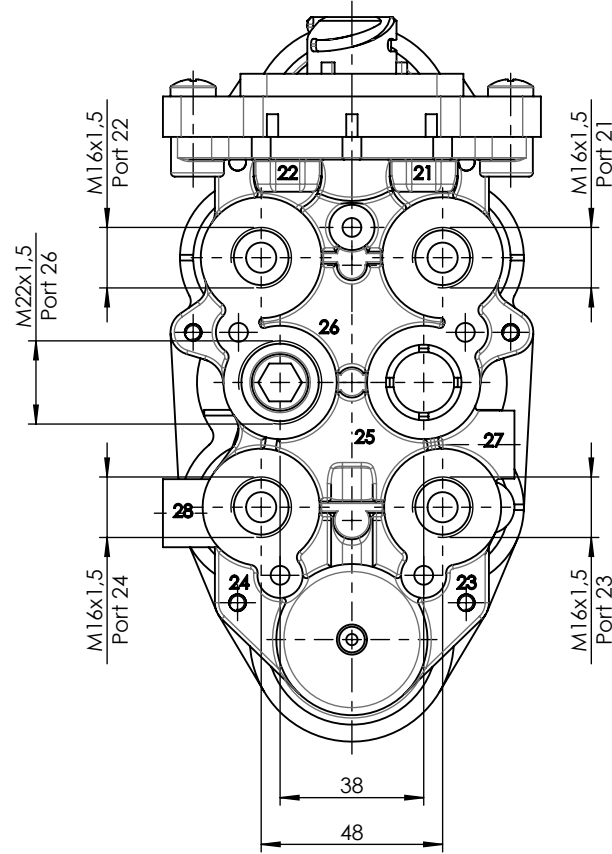
To distribute clean and dry air from the air dryer to different pneumatic circuits. Ensure pressure in brake circuits in case of leaks or breakage in any circuit. It includes a sensor to measure the supply pressures of service brake circuits. / Distribuir el aire limpio y seco proveniente del secador a los diferentes circuitos neumáticos. Asegurar la presión en los circuitos de freno en caso de fuga o rotura en cualquier circuito. Incorpora un sensor para medir las presiones de alimentación de los circuitos de freno de servicio.


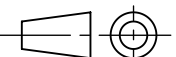
Installation requirements / Requisitos para la instalación:

Mounting is accomplished by using two mounting bolts M8. / El montaje se realiza mediante dos pernos M8.

| Modification | 4 | | | Drawn | | |
|--------------|-------------|----------|------------------------|-------------------|---------------|--------------------------|
| | 3 | | | 21/07/20 J.S. | | |
| 2 | | | Checked | | | |
| 1 | J.S. | 09/06/21 | Change of sheet format | 21/07/20 O.V. | | |
| | nº Modified | Date | Reason | General Tolerance | Assembly | - |
| Comments | | | | - | Part name | Protection circuit valve |
| | | | | Material | ID. Reference | 2322502 |
| | | | | - | Scale: - | |
| | | | | Review: 1 | | |





| | | | | | | |
|-------------------------|---|------|----------|------------------------|---|---|
| Modification | 4 | | | Drawn |  | F |
| | 3 | | | 21/07/20 J.S. | | |
| | 2 | | | Checked | | |
| | 1 | J.S. | 09/06/21 | Change of sheet format | | |
| n° Modified Date Reason | | | | General Tolerance | Assembly | - |
| Comments | | | | ISO 2768 c-K | Part name | Protection circuit valve |
| | | | | Material | ID. Reference | 2322502 |
| | | | | - | Scale: 1/2 |  |
| | | | | - | Review: 1 | |