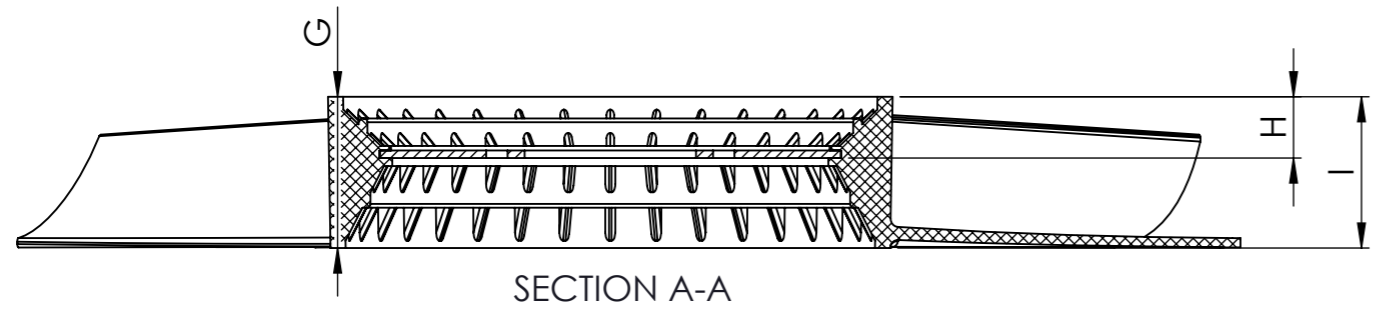


1 2 3 4 5 6 7 8

A

A

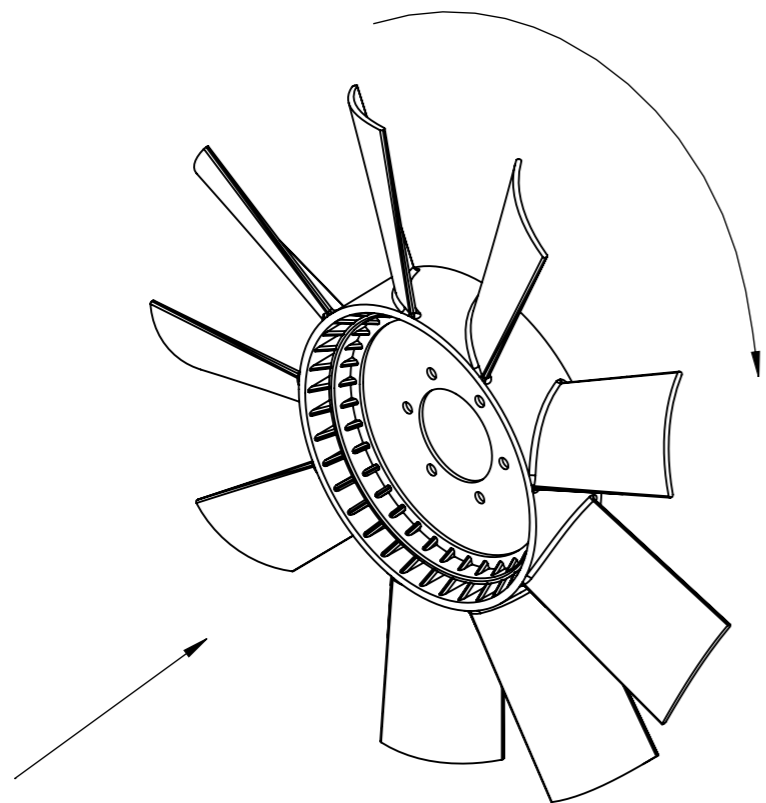


B

B

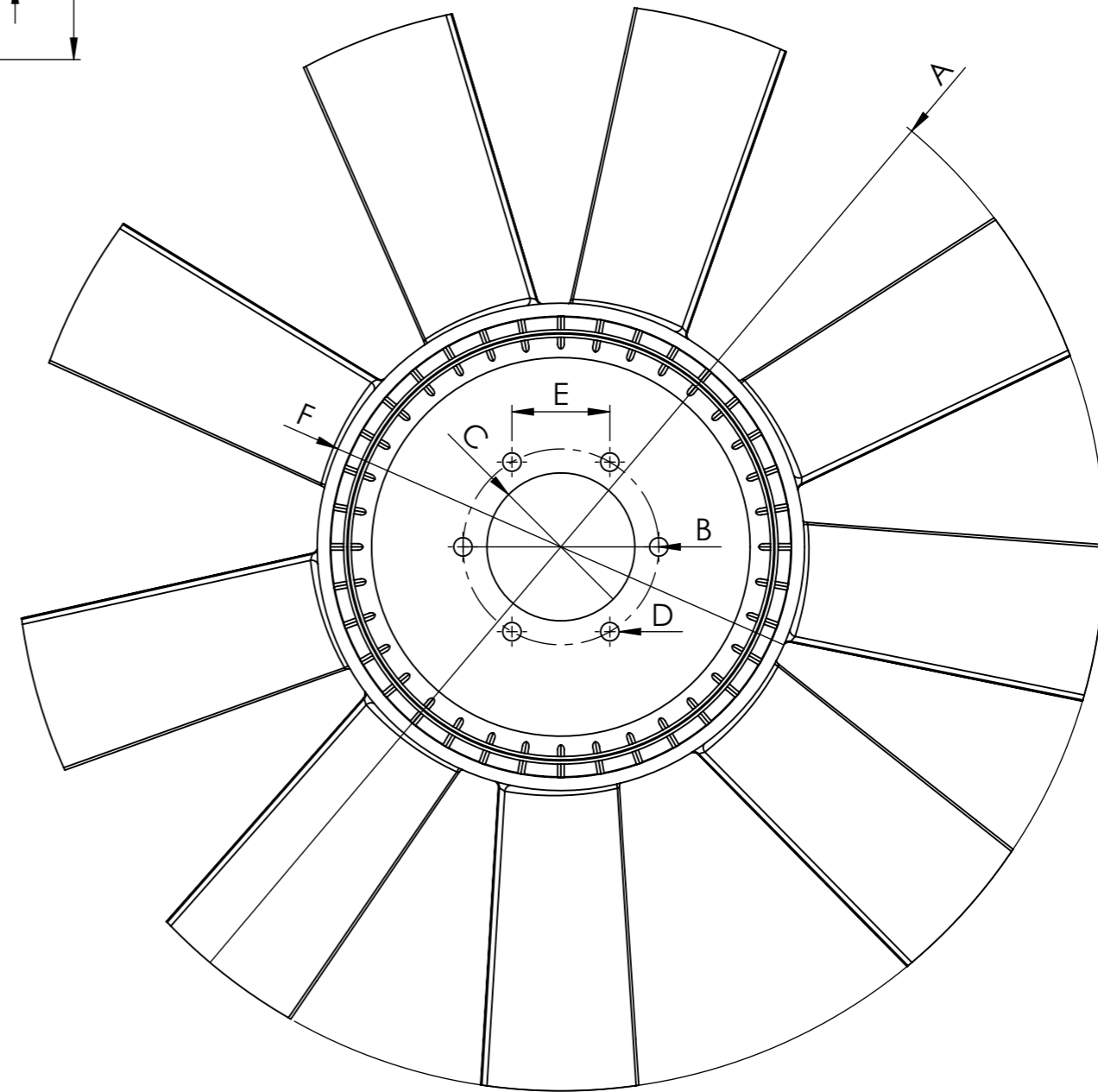
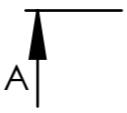
C

C



D

D



C

D

E

E

F

F

FAN WHEEL			
Ref.n°	Value	Ref.n°	Value
A	$\phi 500 \pm 3$ mm	G	59 ± 3 mm
B	$\phi 90$ mm	H	25.4 ± 3 mm
C	$\phi 68 +0.3-0$ mm	I	59 ± 3 mm
D	6x $\phi 8.5$ mm		
E	45 mm		
F	$\phi 222 \pm 3$ mm		
Number of blades		9	Configuration
			CW

Modification n°	Modified	Date	Reason
4			
3			
2			
1			


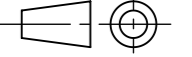
Comments

Drawn
30/07/20 A.G.

Checked
30/07/20 R.U.

General Tolerance
ISO 2768 c-K

Material

		Assembly	Technical sheet
		Part name	Fan wheel
		ID. Reference	7017102
		Scale: 1/3	
		Review: 0	
			Sheet 1/1

1 2 3 4 5 6 7 8