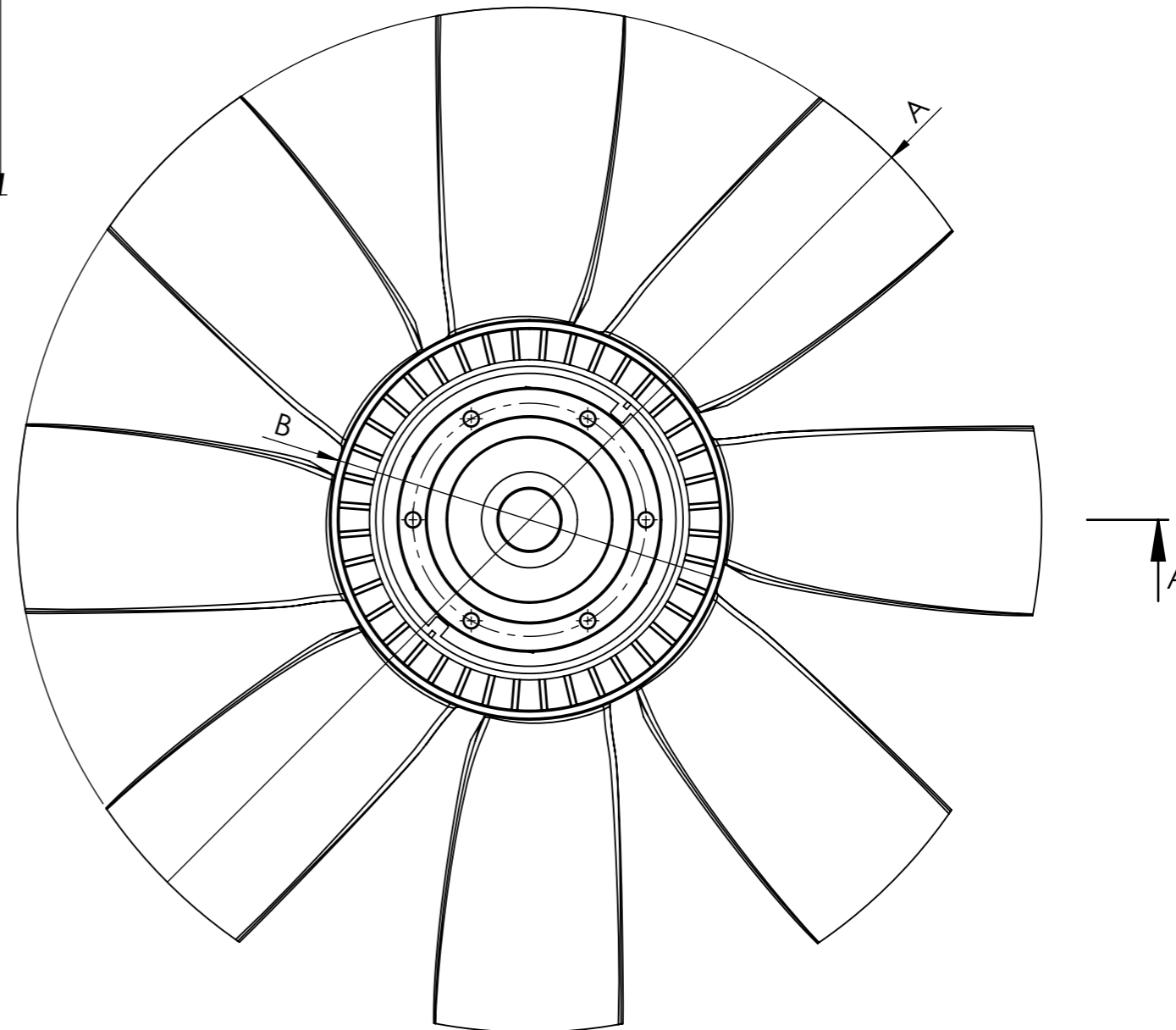
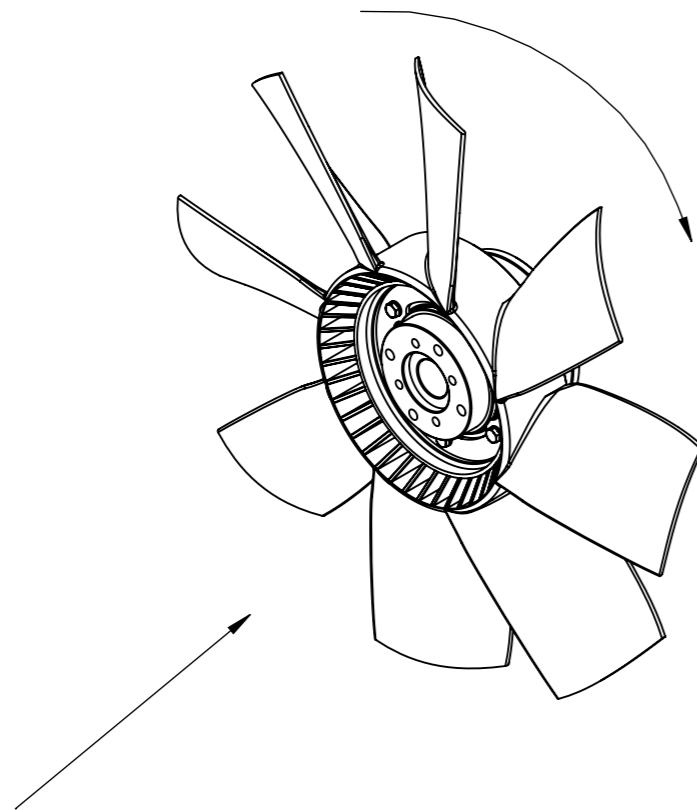


SECTION A-A



FAN WHEEL				
Dimensional values	Ref.n°	Value	Ref.n°	Value
	A	$\varnothing 640 \pm 3$ mm	G	$31 \pm 2$ mm
	B	$\varnothing 248 \pm 3$ mm	H	$52.7 \pm 3$ mm
	C	$\varnothing 165.2$ mm	I	$138 \pm 3$ mm
	D	$\varnothing 146$ mm		
	E	$\varnothing 130$ h8 mm		
	F	6x $\varnothing 9.1$ mm		
	Number of blades	8	Configuration	CW

Modification n°	Modified	Date	Reason	Comments
3				
2				
1				

**Drawn**  
19/05/20 A.G.  
**Checked**  
19/05/20 R.U.

**General Tolerance**  
ISO 2768 c-K  
**Material**

**Assembly**  
**Part name** Fan wheel  
**ID. Reference** 7027105  
**Scale:** 1/4  
**Review:** 0

