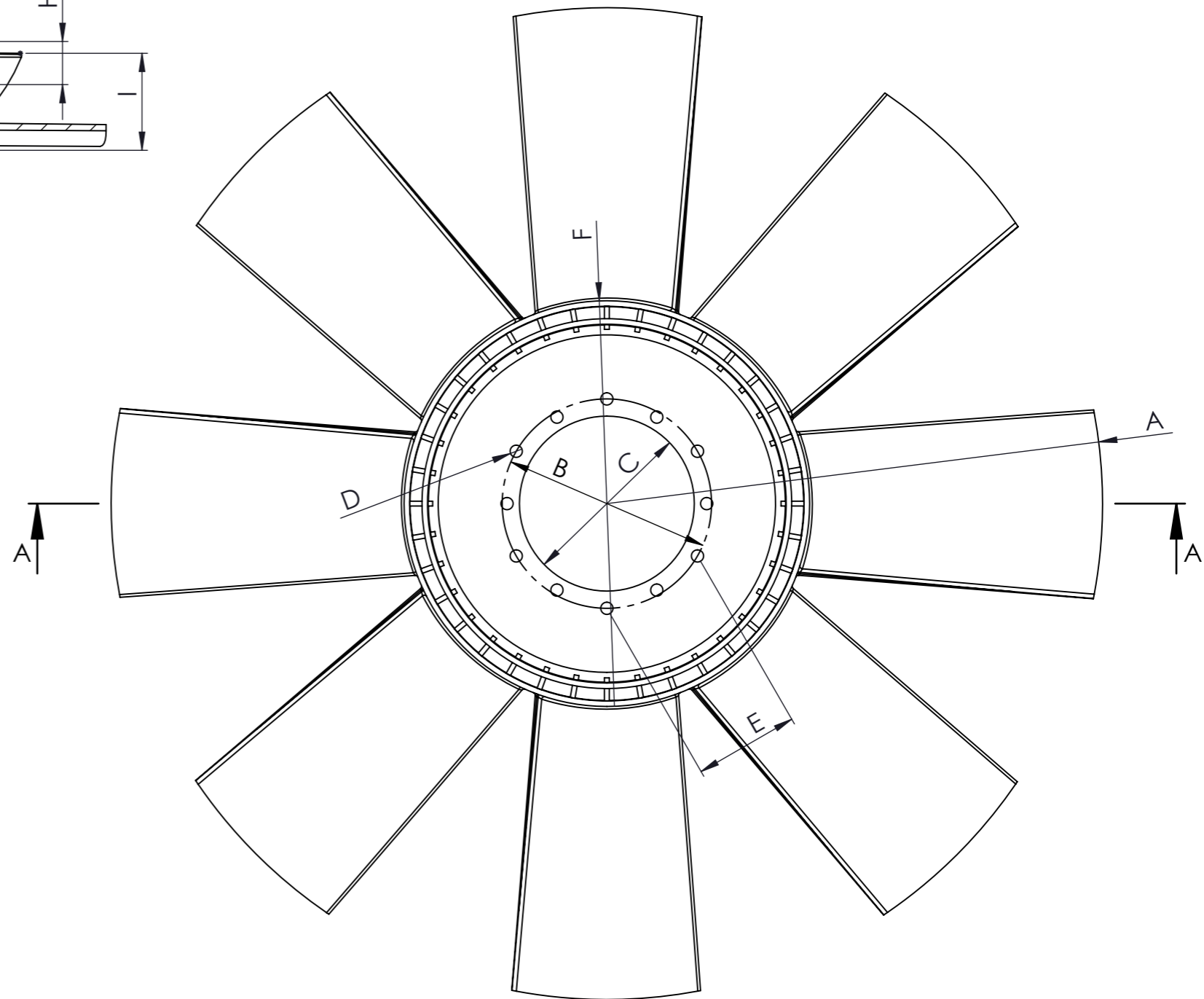
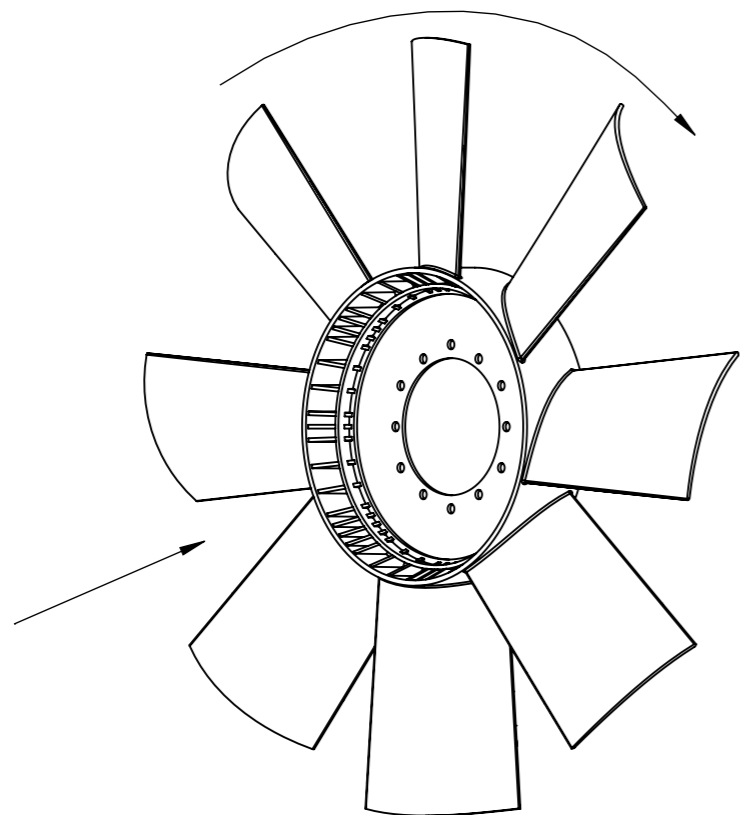


SECTION A-A
SCALE 1 : 4



Dimensional values		FAN WHEEL			
Ref.n°	Value	Ref.n°	Value		
A	$\phi 680 \pm 3$ mm	G	$78,1 \pm 3$ mm		
B	$\phi 152,4$ mm	H	$30,8 \pm 3$ mm		
C	$\phi 127 +0,30$ mm	I	$76,2 \pm 3$ mm		
D	6x $\phi 9$ mm				
E	76,2 mm				
F	$\phi 292,9 \pm 3$ mm				
Number of blades		8	Configuration	CW	

Modification n°	Modified	Date	Reason
4			
3			
2			
1	J.Jurado	13/09/24	Update sheet format. PC027 is modified by PC067

Comments

Drawn
22/05/20 S.F.
Checked
22/05/20 A.D.

General Tolerance
ISO 2768 c-K

Material

Assembly
Part name Fan wheel
ID. Reference 7027113
Scale: 1/4
Review: 01

