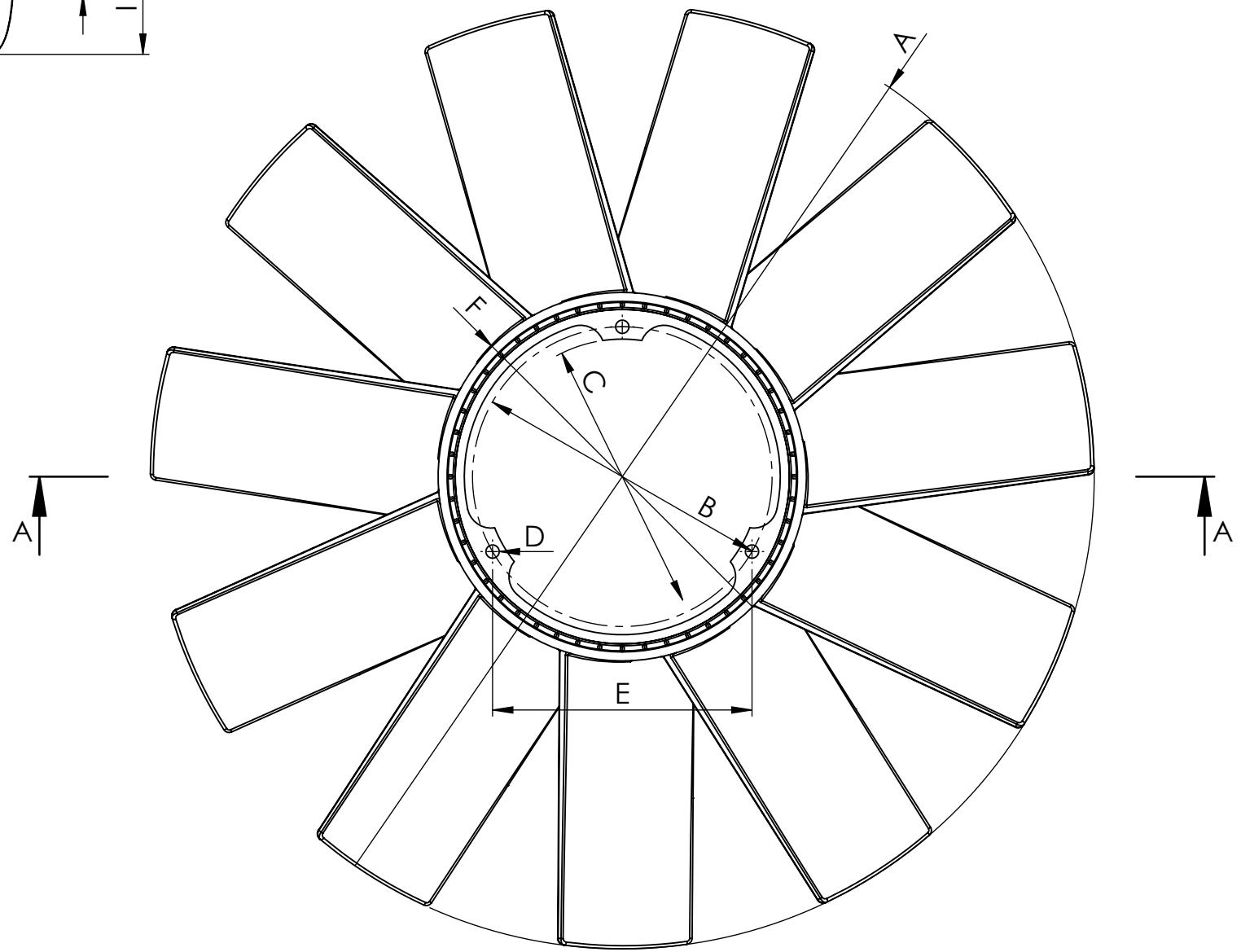
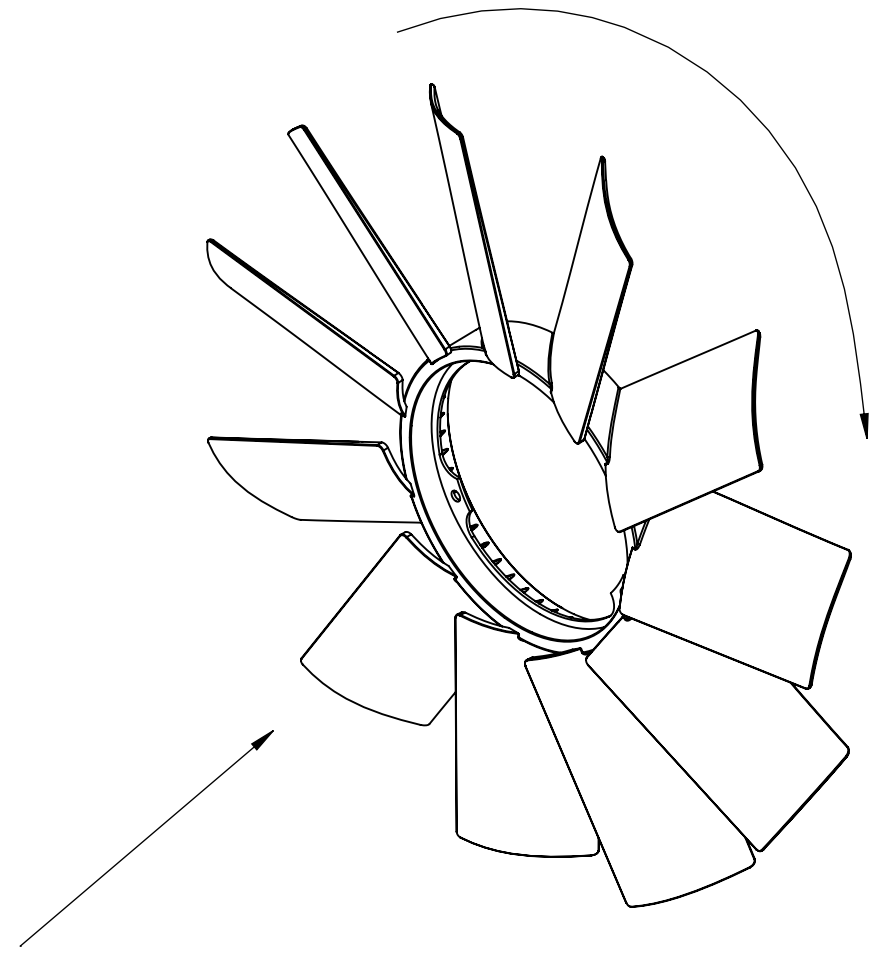
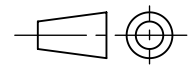


SECTION A-A



FAN WHEEL			
Ref.n°	Value	Ref.n°	Value
A	$\varnothing 460 \pm 3$ mm	G	$32.3 \pm 3$ mm
B	$\varnothing 146.7$ mm	H	$15.3 \pm 3$ mm
C	$\varnothing 135 +0.30$ mm	I	$46.6 \pm 3$ mm
D	3x $\varnothing 6.8$ mm		
E	127 mm		
F	$\varnothing 177 \pm 3$ mm		
Number of blades		11	Configuration CW

Modification n°	Modified	Date	Reason	Comments
3				
2				
1				

<b>Drawn</b>	15/06/20 A.G.	
<b>Checked</b>	15/06/20 R.U.	
<b>General Tolerance</b>	ISO 2768 c-K	<b>Assembly Part name</b> Technical sheet
<b>Material</b>		<b>ID. Reference</b> 8111607
<b>Scale:</b> 1/3		 <b>Sheet 1/1</b>
<b>Review:</b> 0		