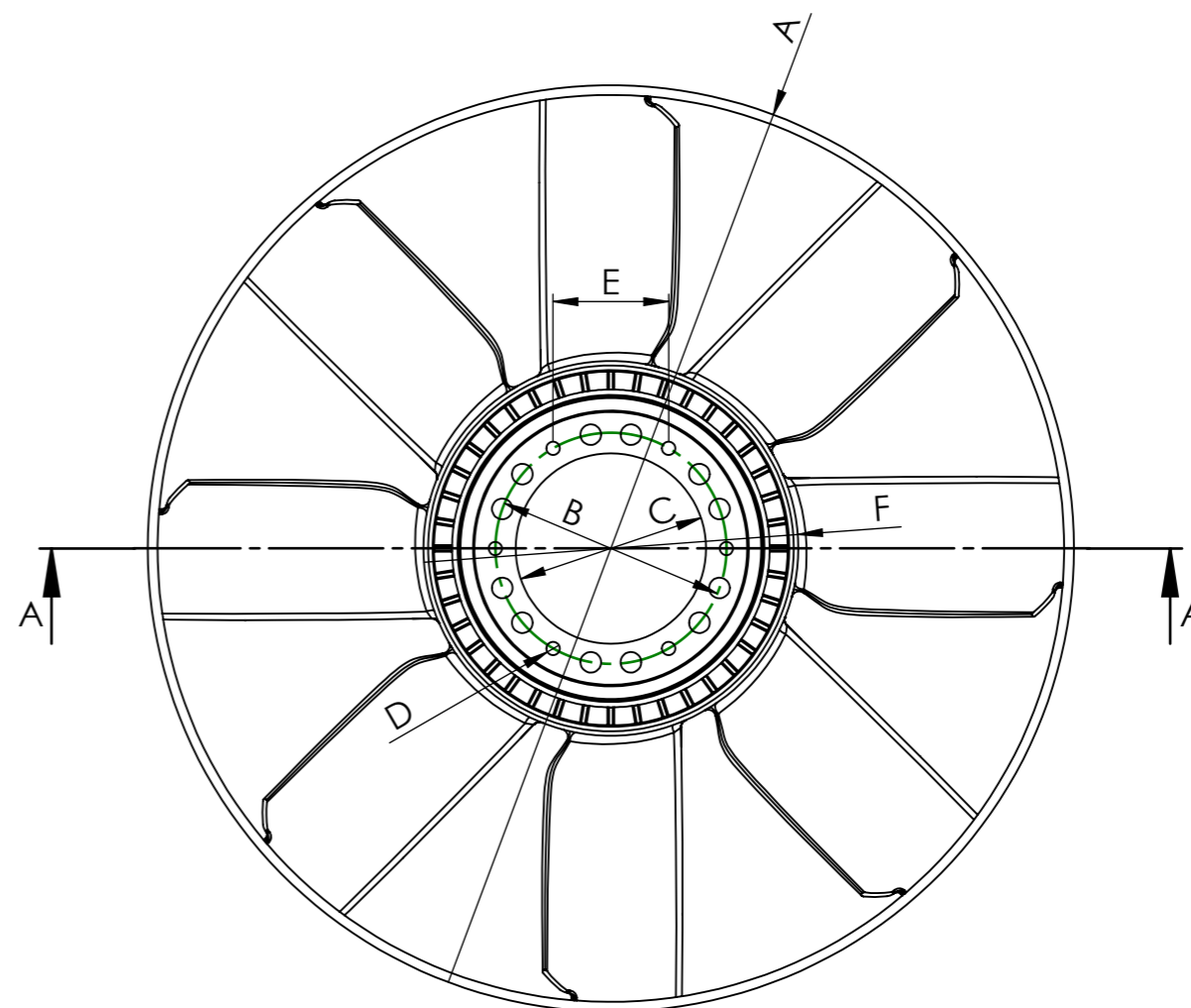
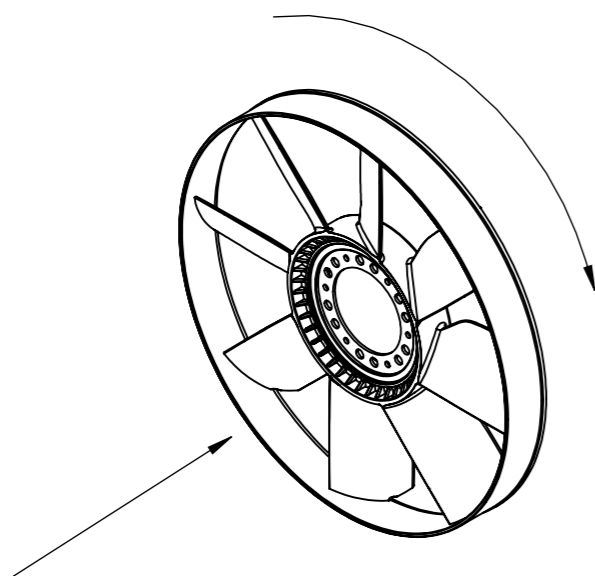


SECCIÓN A-A



Dimensional values	FAN WHEEL			
	Ref.nº	Value	Ref.nº	Value
	A	$\varnothing 600 \pm 3$ mm	G	59 ± 3 mm
	B	$\varnothing 152.4$ mm	H	43 ± 3 mm
	C	$\varnothing 127 +0.30$ mm	I	91 ± 3 mm
	D	6x $\varnothing 9$ mm	J	$\varnothing 591 \pm 3$ mm
	E	76.2 mm		
	F	$\varnothing 250 \pm 3$ mm		
	Number of blades		8	Configuration
				CW

Modification nº	Modified	Date	Reason	Comments	Drawn
					4
3					Checked
2					21/09/21 R.U.
1					

General Tolerance	ISO 2768 c-K	Assembly	Technical sheet
Material		Part name	Fan wheel
		ID. Reference	8521604
		Scale: 1/5	
		Review: 0	
			Sheet 1/1

