

1

2

3

4

A

Technical sheet / Datos técnicos:

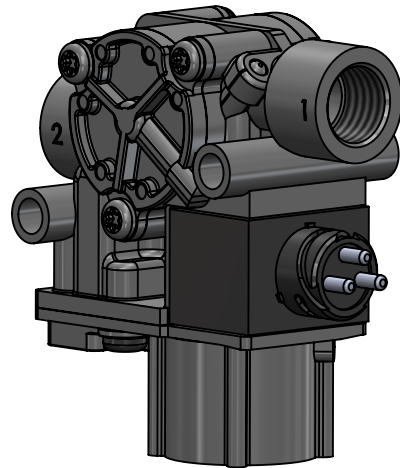
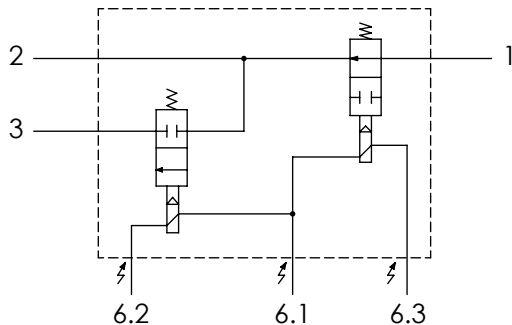
| | |
|--|------------------------------------|
| Part number adaptable to / Referencia adaptable a | 4721950090 |
| Supply pressure / Presión de alimentación | max 11 bar |
| Type of current / Tipo de corriente: | Direct current/ Corriente continua |
| Voltage / Voltaje: | 24 V |
| Nominal current / Corriente nominal: | 1.65 A |
| Permissible medium / Medio de funcionamiento | Air / Aire |
| Operating temperature range / Rango de temperatura | -40°C to / a +80°C |
| Weight / Peso | 700 gr |

B

B

C

C



D

D

| Port / Conexión | Function / Función | Thread / Rosca |
|-----------------|-----------------------|----------------|
| 1 | Supply / Alimentación | M22x1.5 |
| 2 | Delivery / Salida | M22x1.5 |
| 3 | Exhaust / Escape | - |
| 6 | Connector / Conector | - |

Purpose / Propósito: Increase, reduce or maintain the pressure in the brake cylinders during a braking process according to the regulation of the ABS electronic control unit. / Aumentar, reducir o mantener la presión en los cilindros de freno durante un proceso de frenado según la regulación de la unidad de control electrónico ABS.

E

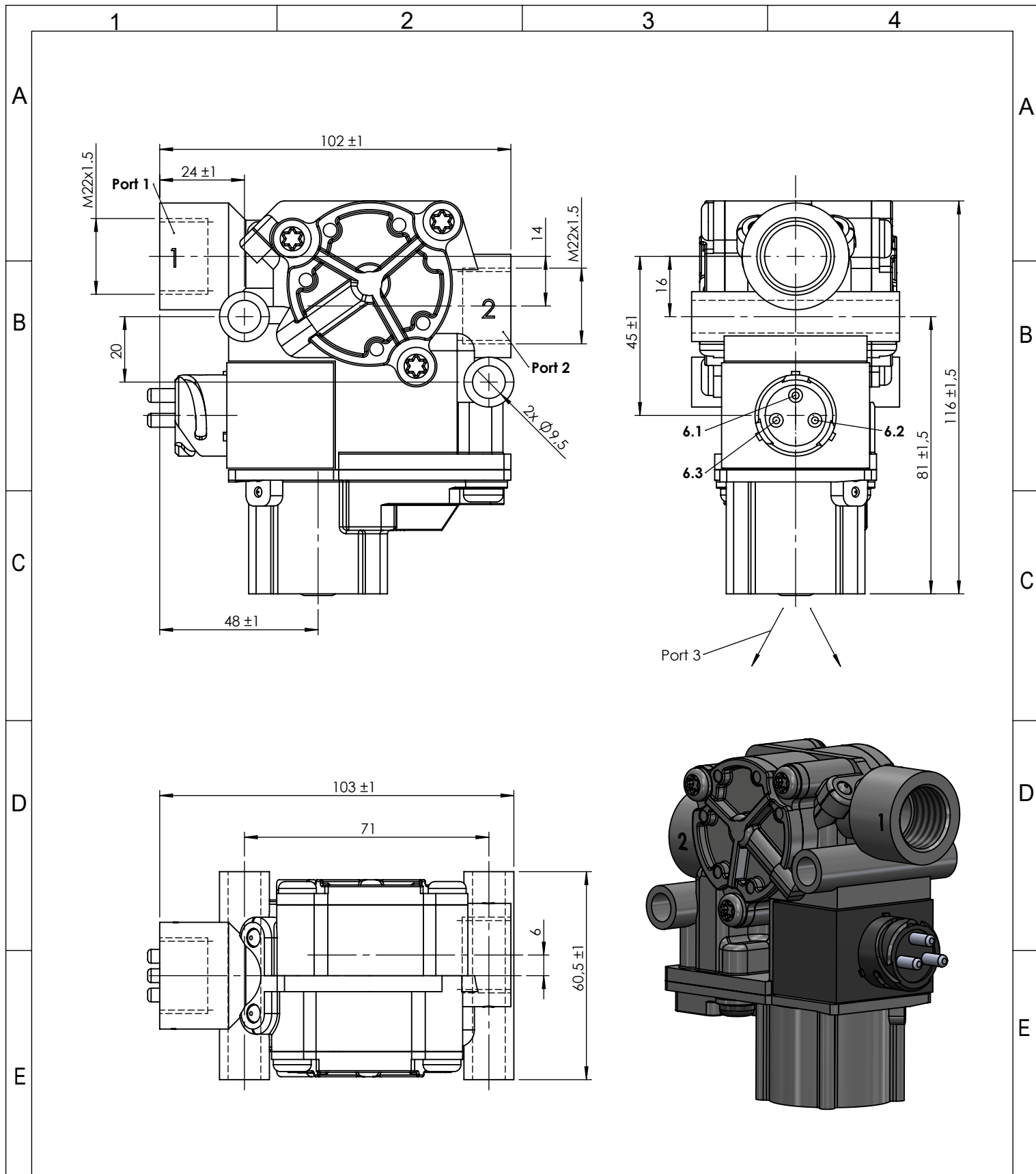
E

Installation requirements / Requisitos para la instalación: To install the modulator with the exhaust port facing downwards. The modulator must be installed using two screws M8. / Instalar el modulator con el escape orientado hacia abajo. El modulator debe ser instalado utilizando dos tornillos M8.

F

F

| | | | | | | | |
|--------------|----|----------|------|--------|-------------------|---------------|---------------|
| Modification | 4 | | | | Drawn | | |
| | 3 | | | | 10/09/15 A.U. | | |
| | 2 | | | | Checked | | |
| | 1 | | | | 10/09/15 A.L. | | |
| | nº | Modified | Date | Reason | General Tolerance | | Assembly |
| Comments | | | | | - | Part name | ABS modulator |
| | | | | | Material | ID. Reference | 2209204 |
| | | | | | - | Scale: - | |
| | | | | | - | Review: 0 | |



| | | | | | | | | |
|----------|--------------|----------|------|--------|-------------------|---------------|---------------|-----------|
| F | Modification | 4 | | | | Drawn | | F |
| | | 3 | | | | 10/09/15 A.U. | | |
| | | 2 | | | | Checked | | |
| | | 1 | | | | 10/09/15 A.L. | | |
| | n° | Modified | Date | Reason | General Tolerance | Assembly | - | |
| Comments | | | | | ISO 2768 c-K | Part name | ABS modulator | |
| | | | | | Material | ID. Reference | 2209204 | |
| | | | | | - | Scale: 2/3 | | Sheet 2/2 |
| | | | | | | Review: 0 | | |