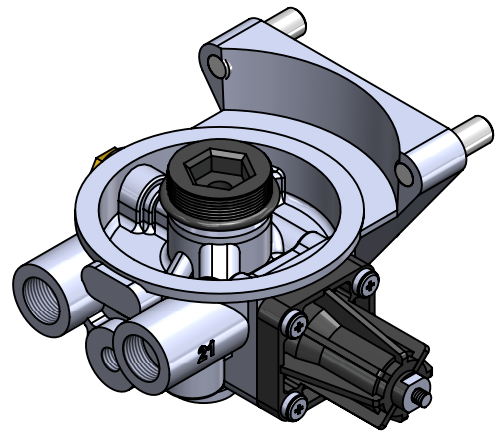
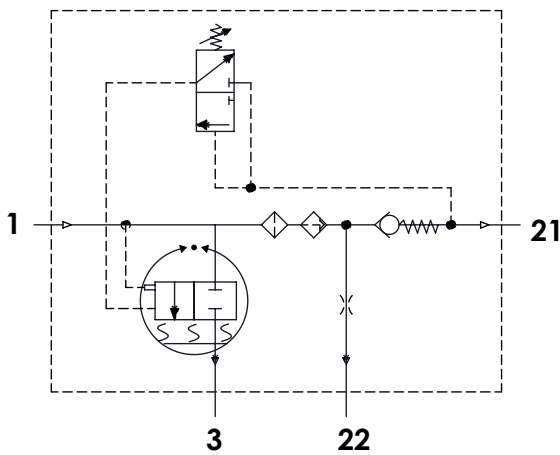


**Technical Sheet / Datos Técnicos:**

|                                                     |                        |
|-----------------------------------------------------|------------------------|
| Part number adaptable to / Referencia adaptable a:  | 432 410 092 0          |
| Working pressure / Presión de trabajo:              | Max = 13 bar           |
| Unloader / Regulador de presión:                    | Integrated / Integrado |
| Cut-out pressure / Presión de corte:                | 8.5±0.3 bar            |
| Heating / Calentador:                               | 100W / 24 V            |
| Permissible Medium / Medio de funcionamiento:       | Air / Aire             |
| Operating temperature range / Rango de temperatura: | - 40°C a / to +80°C    |
| Cut-in temperature / Temperatura de cierre:         | +7° ± 6°C              |
| Cut-off temperature / Ajuste de la temperatura:     | +29.5° ± 3°C           |
| Weight / Peso:                                      | 1540 gr                |

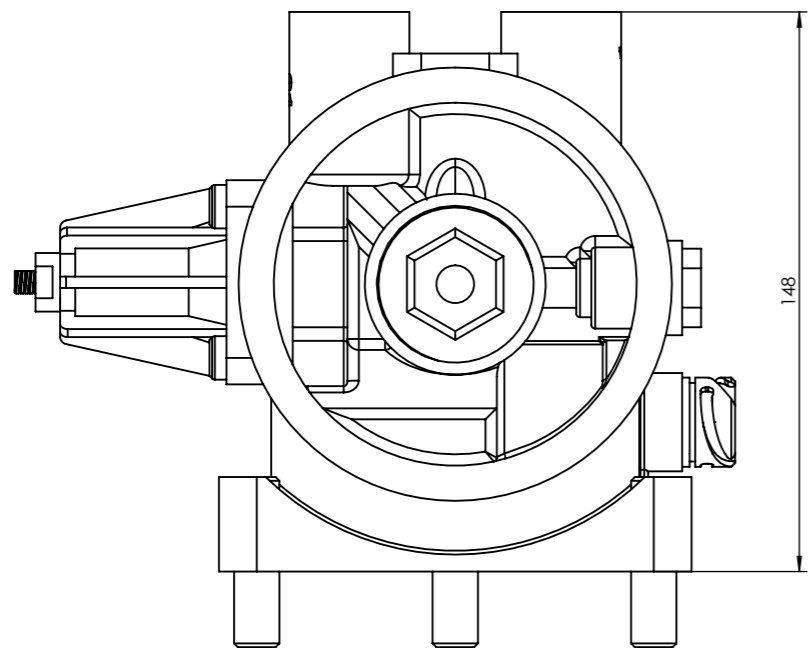
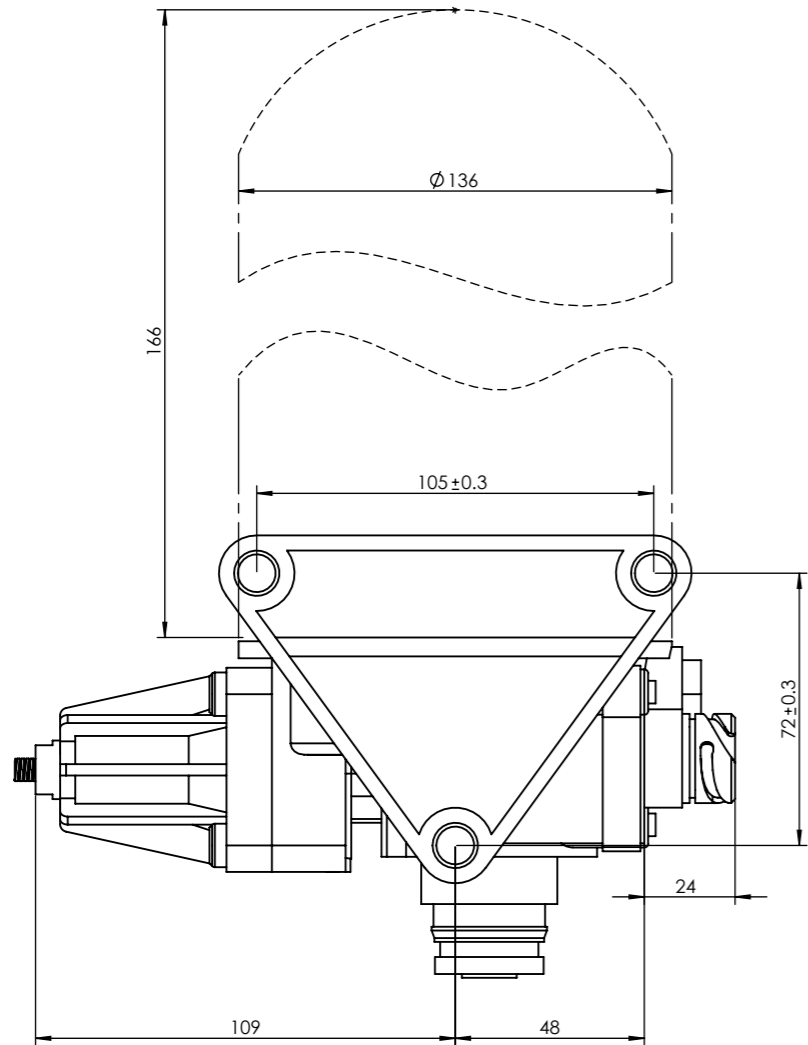


| Port / Conexión | Function / Función                                             | Thread / Rosca              |
|-----------------|----------------------------------------------------------------|-----------------------------|
| 1               | From the compressor / Proveniente del compresor                | M22x1,5                     |
| 21              | To the reservoirs / A los calderines                           | M22x1,5                     |
| 22              | To the regenerated air reservoir / Al calderín de regeneración | M12x1,5                     |
| 3               | Exhaust for compressed air / Escape de aire comprimido         | -                           |
| 6               | Heating / Calentador                                           | Bayonet<br>DIN 72585 A1-2.1 |

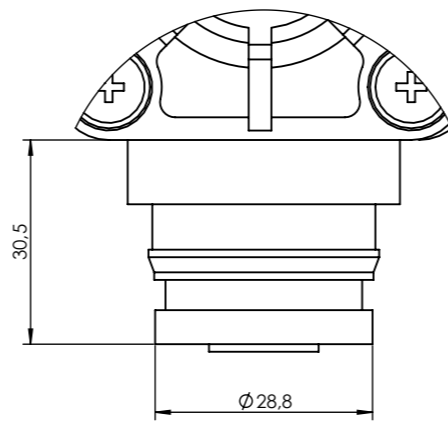
**Purpose / Finalidad:** Drying of the compressed air supplied by the compressor. / Secado del aire comprimido procedente del compresor.

**Installation / Instalación:** Exhaust (3) must look down. / El escape de aire (3) debe estar orientado hacia abajo.

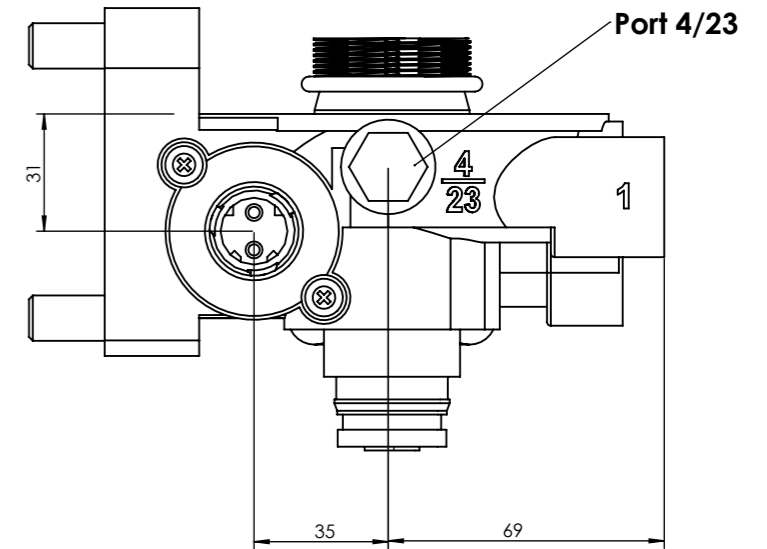
|              |    |          |      |        |                   |               |                             |
|--------------|----|----------|------|--------|-------------------|---------------|-----------------------------|
| Modification | 4  |          |      |        | Drawn             |               |                             |
|              | 3  |          |      |        | 09/06/14 A.U.     |               |                             |
|              | 2  |          |      |        | Checked           |               |                             |
|              | 1  |          |      |        | 09/06/14 A.L.     |               |                             |
|              | nº | Modified | Date | Reason | General Tolerance | Assembly      |                             |
| Comments     |    |          |      |        | -                 | Part name     | Air Dryer / Secador de aire |
|              |    |          |      |        | Material          | ID. Reference | 2210169                     |
|              |    |          |      |        | -                 | Scale: -      |                             |
|              |    |          |      |        | -                 | Review: 0     |                             |



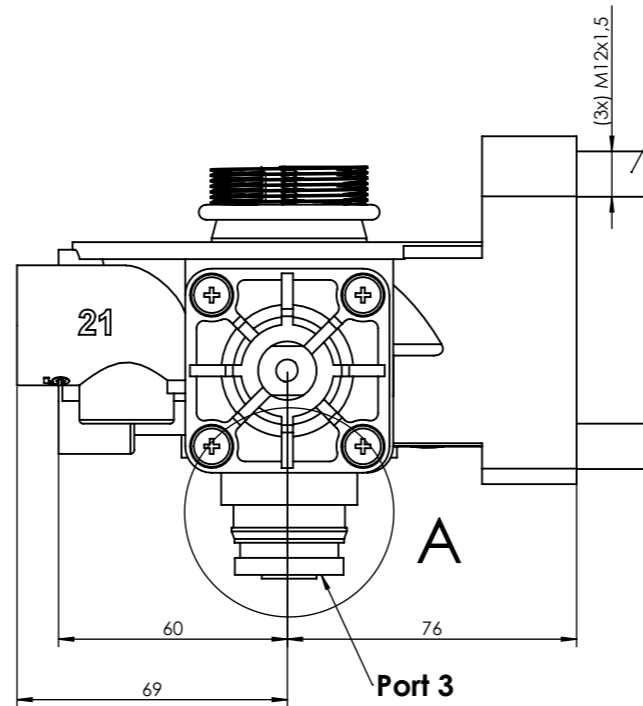
DETAIL / DETALLE A  
SCALE / ESCALA 1 : 1



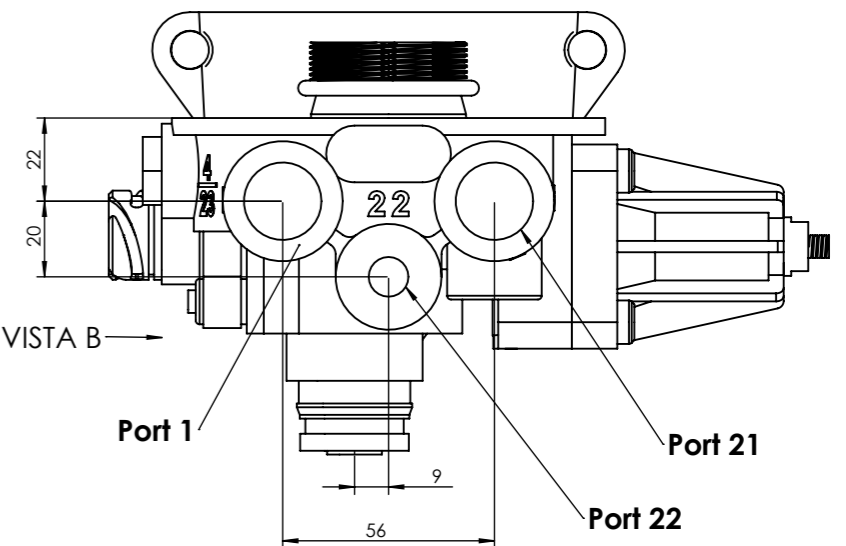
VIEW / VISTA B





Studs and nuts are supplied/  
Los espárragos y las tuercas son  
suministradas



VIEW / VISTA B



|              |             |      |        |                   |                                                                                       |                                                                                       |
|--------------|-------------|------|--------|-------------------|---------------------------------------------------------------------------------------|---------------------------------------------------------------------------------------|
| Modification | 4           |      |        | Drawn             |  | F                                                                                     |
|              | 3           |      |        | 09/06/14 A.U.     |                                                                                       |                                                                                       |
|              | 2           |      |        | Checked           |                                                                                       |                                                                                       |
|              | 1           |      |        | 09/06/14 A.L.     |                                                                                       |                                                                                       |
|              | nº Modified | Date | Reason | General Tolerance | Assembly                                                                              | -                                                                                     |
| Comments     |             |      |        | ISO 2768 c-K      | Part name                                                                             | Air Dryer / Secador de aire                                                           |
|              |             |      |        | Material          | ID. Reference                                                                         | 2210169                                                                               |
|              |             |      |        |                   | Scale: 1/2                                                                            |  |
|              |             |      |        |                   | Review: 0                                                                             |                                                                                       |