

1

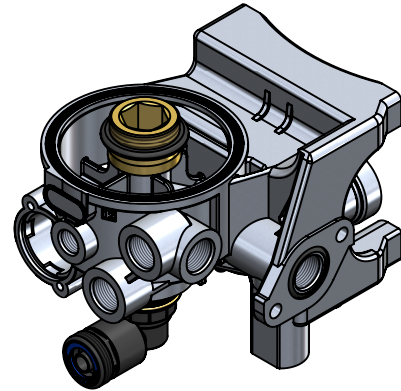
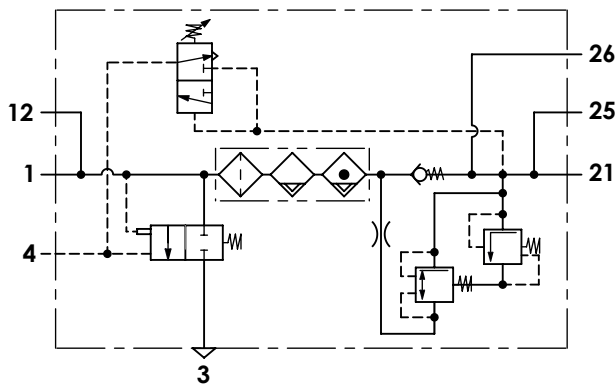
2

3

4

**Technical sheet / Datos técnicos:**

|   |                        |
|---|------------------------|
| Part number adaptable to / Referencia adaptable a                           | 4324160040             |
| Opening pressure of safety valve / Presión de apertura válvula de seguridad | 13 bar                 |
| Unloader / Regulador de presión   | Integrated / Integrado |
| Cut-out pressure / Presión de corte   | 11,0 ± 0,2 bar         |
| Heating / Calentador  | -                      |
| Permissible medium / Medio de funcionamiento                                | Air / Aire             |
| Operating temperature range / Rango de temperatura                          | -40°C to / a +80°C     |
| Weight / Peso   | 2600 gr                |



| Port / Conexión | Function / Función   | Thread / Rosca       |
|-----------------|--|----------------------|
| 1               | Supply from air compressor / Alimentación desde el compresor               | M22x1,5              |
| 12              | External filling / Llenador exterior                                       | M22x1,5              |
| 21              | Delivery to protection valve / Salida a válvula de protección              | M22x1,5              |
| 25              | Delivery to air suspension reservoir / Salida al calderín de la suspensión | M16x1,5              |
| 26              | Delivery to tire inflation device / Salida para inflado de neumáticos      | M22x1,5              |
| 3               | Exhaust / Escape   | Tube/Tubo 90° Ø16 mm |
| 4               | Control to air compressor / Pilotaje al compresor                          | M16x1,5              |

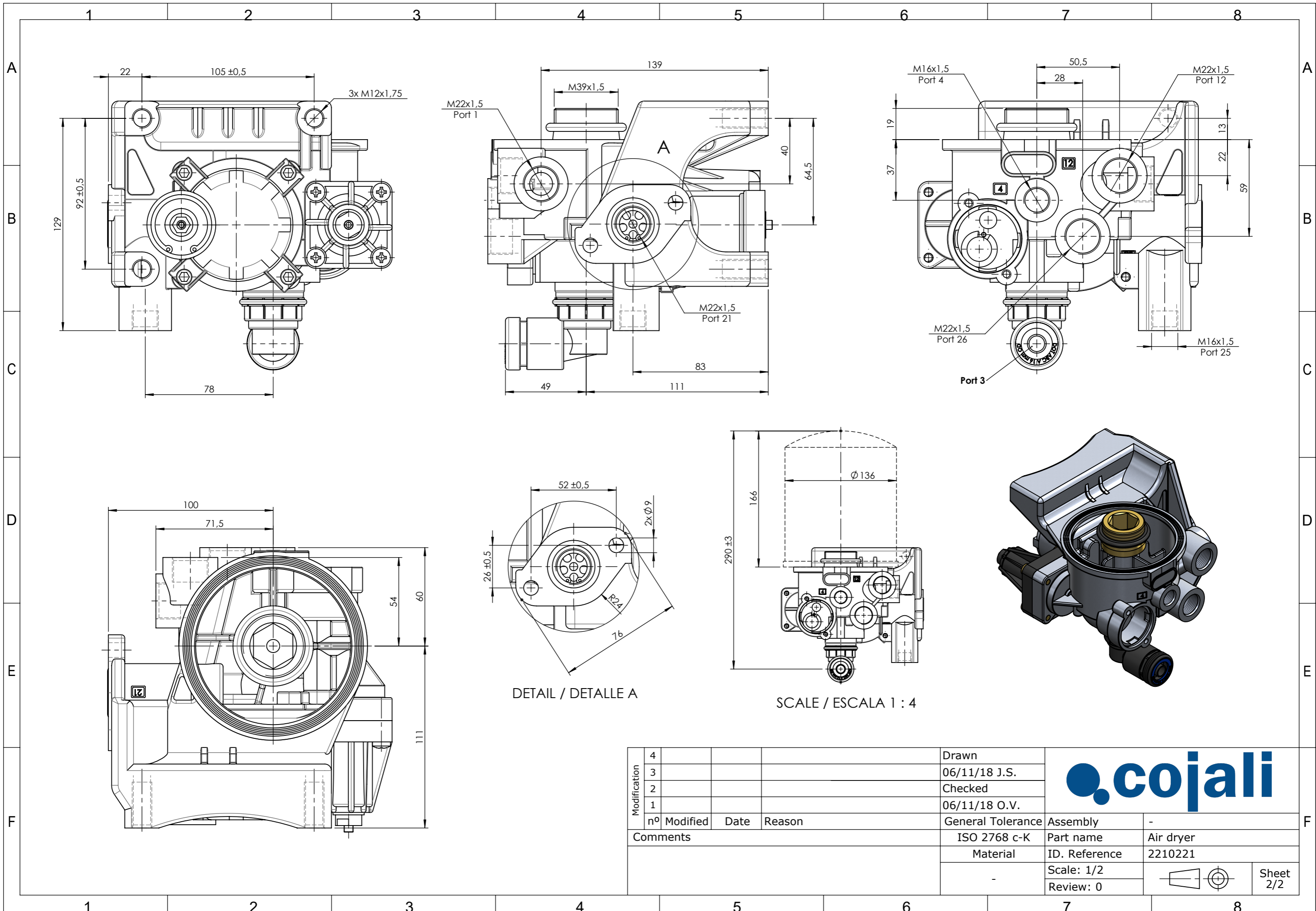
**Purpose / Propósito:**

Drying of the compressed air supplied by the compressor. / Secado del aire comprimido procedente del compresor.

**Installation requirements / Requisitos para la instalación:**

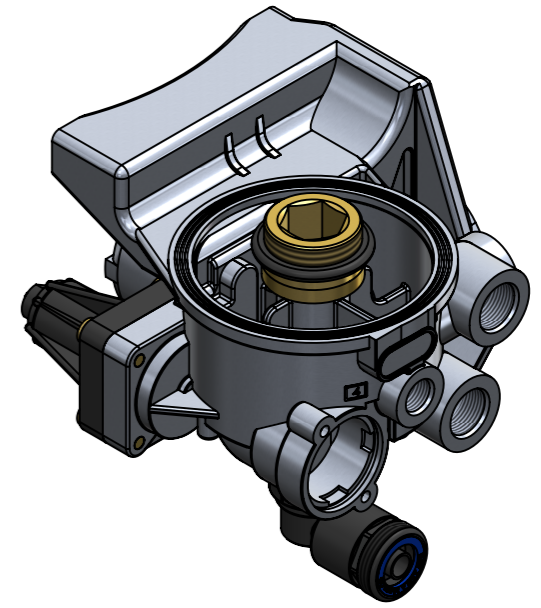
Exhaust (3) must look down. / El escape (3) debe estar orientado hacia abajo.


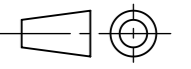
|              |    |          |      |        |                   |               |           |
|--------------|----|----------|------|--------|-------------------|---------------|-----------|
| Modification | 4  |          |      |        | Drawn             |               |           |
|              | 3  |          |      |        | 06/11/18 J.S.     |               |           |
|              | 2  |          |      |        | Checked           |               |           |
|              | 1  |          |      |        | 06/11/18 O.V.     |               |           |
|              | nº | Modified | Date | Reason | General Tolerance |               | Assembly  |
| Comments     |    |          |      |        | -                 | Part name     | Air dryer |
|              |    |          |      |        | Material          | ID. Reference | 2210221   |
|              |    |          |      |        | -                 | Scale: -      |           |
|              |    |          |      |        | -                 | Review: 0     |           |



DETAIL / DETALLE A

SCALE / ESCALA 1 : 4



|              |             |      |        |                   |   |   |
|--------------|-------------|------|--------|-------------------|---|---|
| Modification | 4           |      |        | Drawn             |  |   |
|              | 3           |      |        | 06/11/18 J.S.     |   |   |
|              | 2           |      |        | Checked           |   |   |
|              | 1           |      |        | 06/11/18 O.V.     |   |   |
|              | nº Modified | Date | Reason | General Tolerance | Assembly  | -   |
| Comments     |             |      |        | ISO 2768 c-K      | Part name   | Air dryer   |
|              |             |      |        | Material          | ID. Reference   | 2210221   |
|              |             |      |        | -                 | Scale: 1/2  |  |
|              |             |      |        |                   | Review: 0   |   |