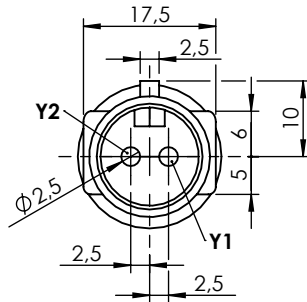
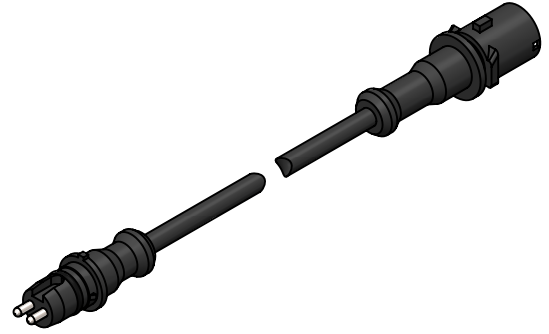


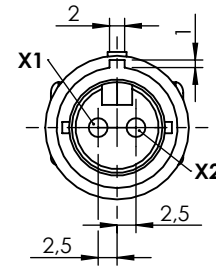
Technical sheet/ Datos técnicos:

Part number adaptable to / Referencia adaptable a:	4497120400
Operating temperature range/ Rango de temperatura:	-40°C to / a 80°C
Weight/Peso:	160 gr

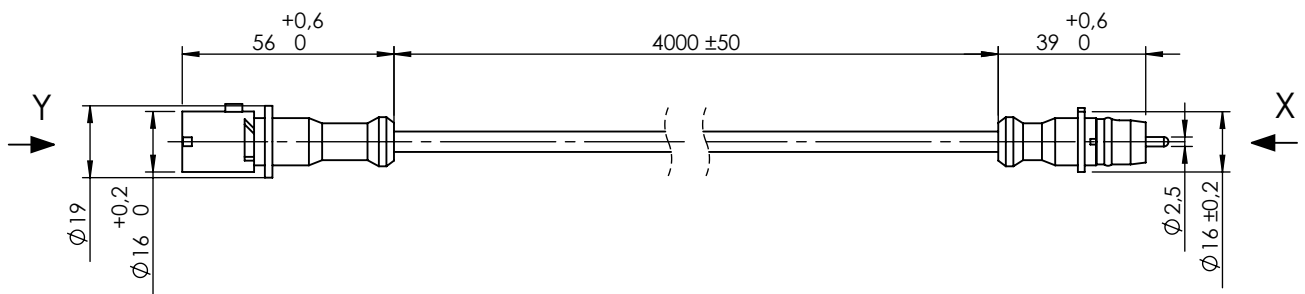
Continuity between pins / Continuidad entre pines	
2 pin connector-male	2 pin connector-female
X1	Y1
X2	Y2



VIEW / VISTA Y
SCALE / ESCALA 1 : 1



VIEW / VISTA X
SCALE / ESCALA 1 : 1



Modification	4				Drawn
	3				25/08/20 S.F.
	2				Checked
	1	S.F.	30/03/22	Change sheet format	25/08/20 E.L.



Comments	nº Modified	Date	Reason	General Tolerance	Assembly	-
				ISO 2768 c-K	Part name	Speed sensor cable
				Material	ID. Reference	2260117
				-	Scale: 1/2	
				Review: 1	Sheet 1/1	