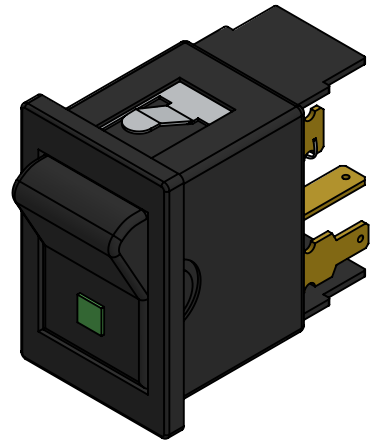
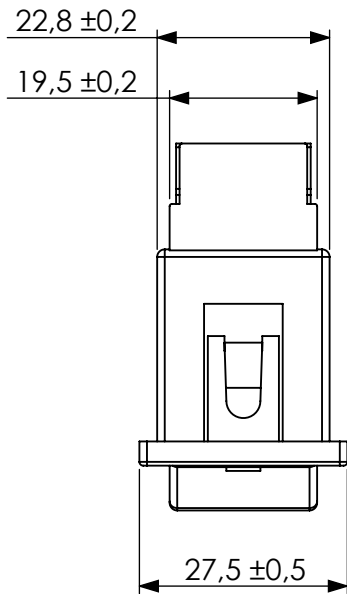
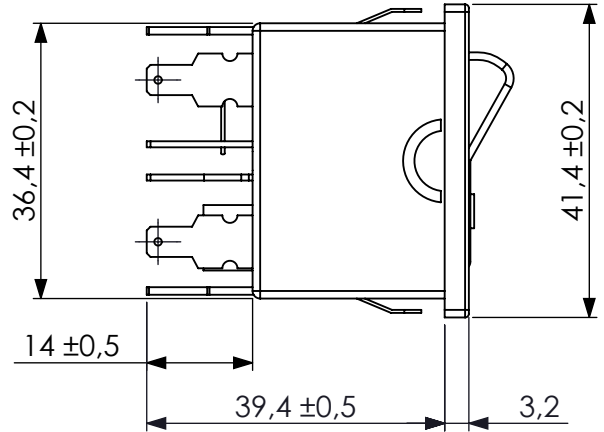
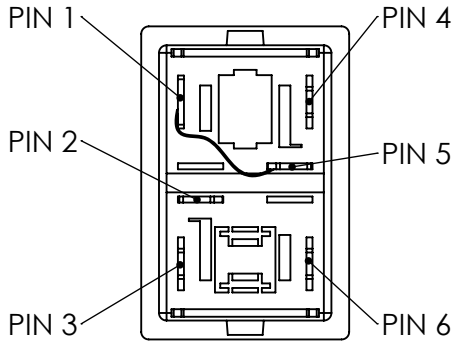


**Technical data/ Datos técnicos:**

|   |                 |
|---|-----------------|
| According to/ En referencia a:                    | 290947          |
| Operating temperature range/Rango de temperatura: | -40°C a/to 80°C |
| Weight/ Peso:                                     | 26 gr           |



|          |              |    |          |      |              |                   |                    |           |
|----------|--------------|----|----------|------|--------------|-------------------|--------------------|-----------|
| F        | Modification | 4  |          |      |              | Drawn             |                    |           |
|          |              | 3  |          |      |              | 15/07/20 S.F.     |                    |           |
|          |              | 2  |          |      |              | Checked           |                    |           |
|          |              | 1  |          |      |              | 15/07/20 E.L.     |                    |           |
|          |              | nº | Modified | Date | Reason       | General Tolerance |                    | Assembly  |
| Comments |              |    |          |      | ISO 2768 c-K | Part name         | Switch/Interruptor |           |
|          |              |    |          |      | Material     | ID. Reference     | 2260167            |           |
|          |              |    |          |      | -            | Scale: 1/1        |                    | Sheet 1/1 |
|          |              |    |          |      | -            | Review: 0         |                    |           |