

1

2

3

4

A

Technical Sheet / Datos técnicos:

Reference adaptable to / Referencia adaptable a:

51271200015

Operating temperature range / Rango de temperatura:

- 40 °C a / to +120 °C

Weight / Peso:

100 gr

A

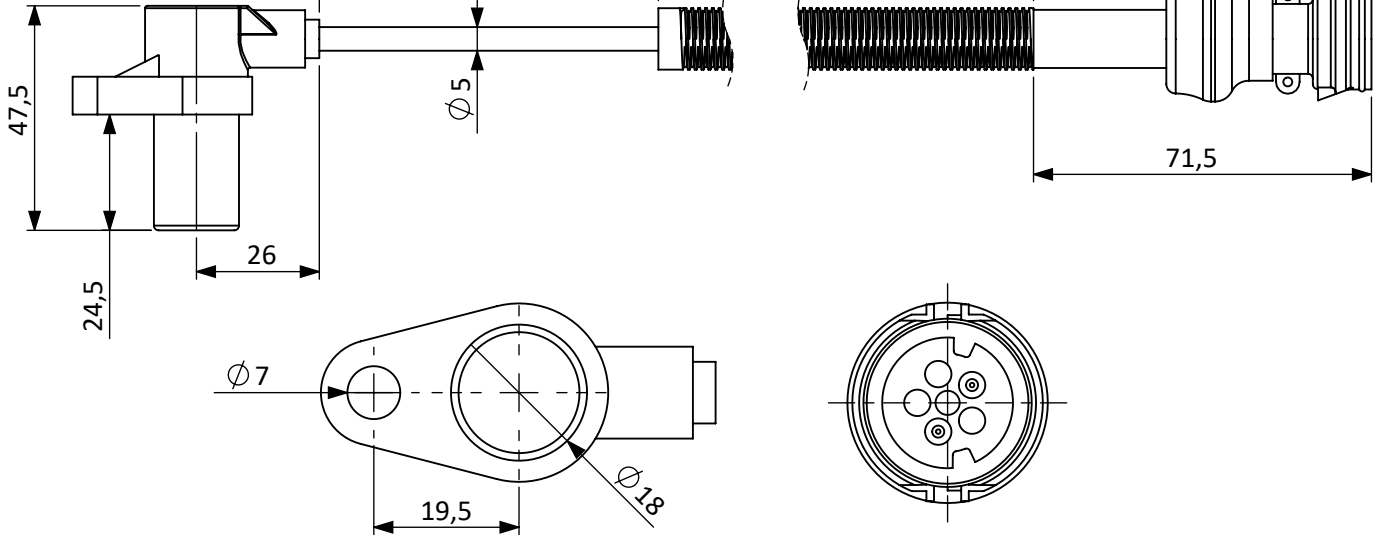
B

B

L = 371,5 ± 5

L = 255 ± 5

71,5



C

C

D

D

E

E

F

F

Modification

4
3
2
1

Drawn

20/01/15 A.U.

Checked

20/01/15 A.L.

nº Modified

Date

Reason

General Tolerance

Assembly

-

Comments

ISO 2768 c-K

Part name

RPM SENSOR/
SENSOR DE REVOLUCIONES

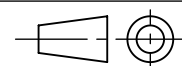
Material

ID. Reference

2260302

Scale: -

Review: 0

Sheet
1/1