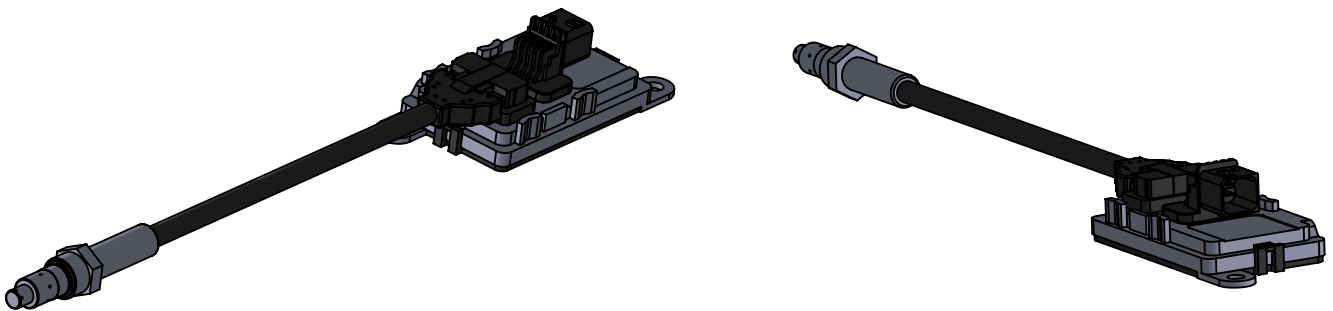
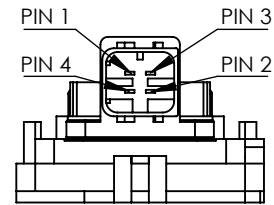
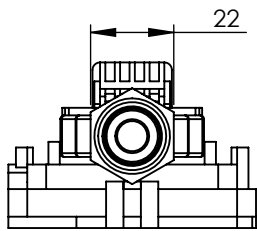
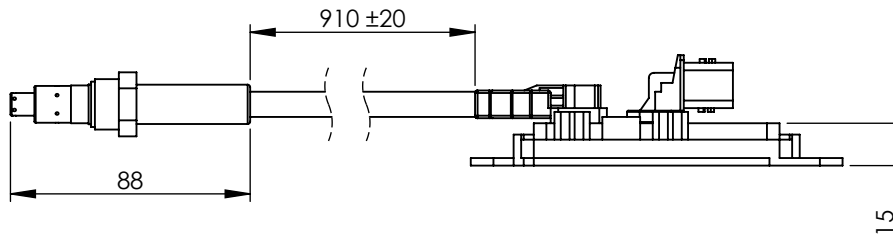
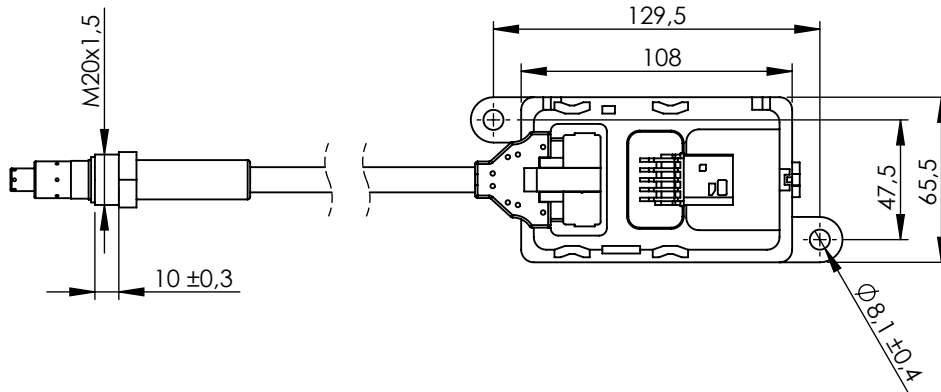


**Technical data/ Datos técnicos:**

According to/ En referencia a:	2294291
Operating temperature range/Rango de temperatura:	-40°C a/to 80°C
Weight/ Peso	356,5 gr

PIN 1	+24V
PIN 2	CAN L
PIN 3	CAN H
PIN 4	GND/MASA



Modification	4				Drawn		
	3				11/09/20 S.F.		
	2				Checked		
	1				11/09/20 E.L.		
F	nº	Modified	Date	Reason	General Tolerance	Assembly	
	Comments				ISO 2768 c-K	Part name	NOx sensor/Sensor NOx
					Material	ID. Reference	2269007
					-	Scale: 1/3	
				-	Review: 0	Sheet 1/1	

