

1

2

3

4

A

Technical Data/ Datos Técnicos:

A

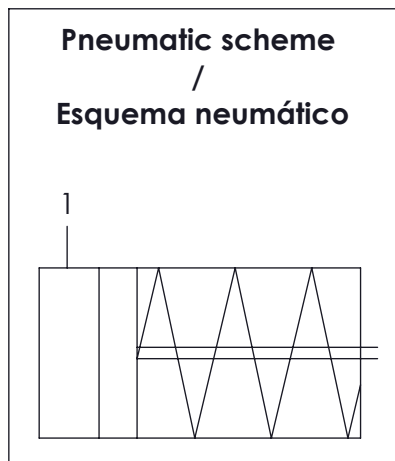
Part number adaptable to/ Referencia adaptable a:	81157016112
Hydraulic fluid/ Fluido hidráulico:	Air/Aire
Thermal range/ Rango de temperatura:	-40 °C to/a 80 °C
Supply pressure/ Presión de alimentación:	max. 8 bar
Stroke/ Carrera:	50 mm
Weight/ Peso:	454 gr

B

B

C

C

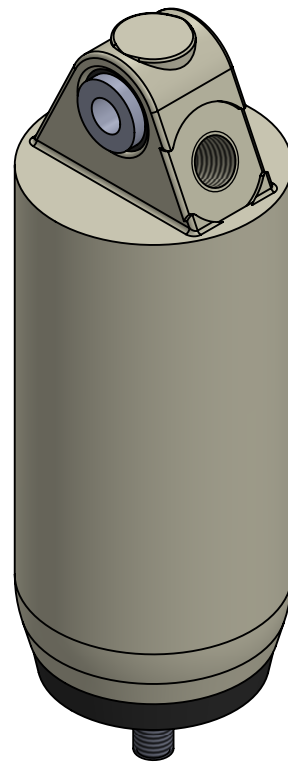


D

D

E

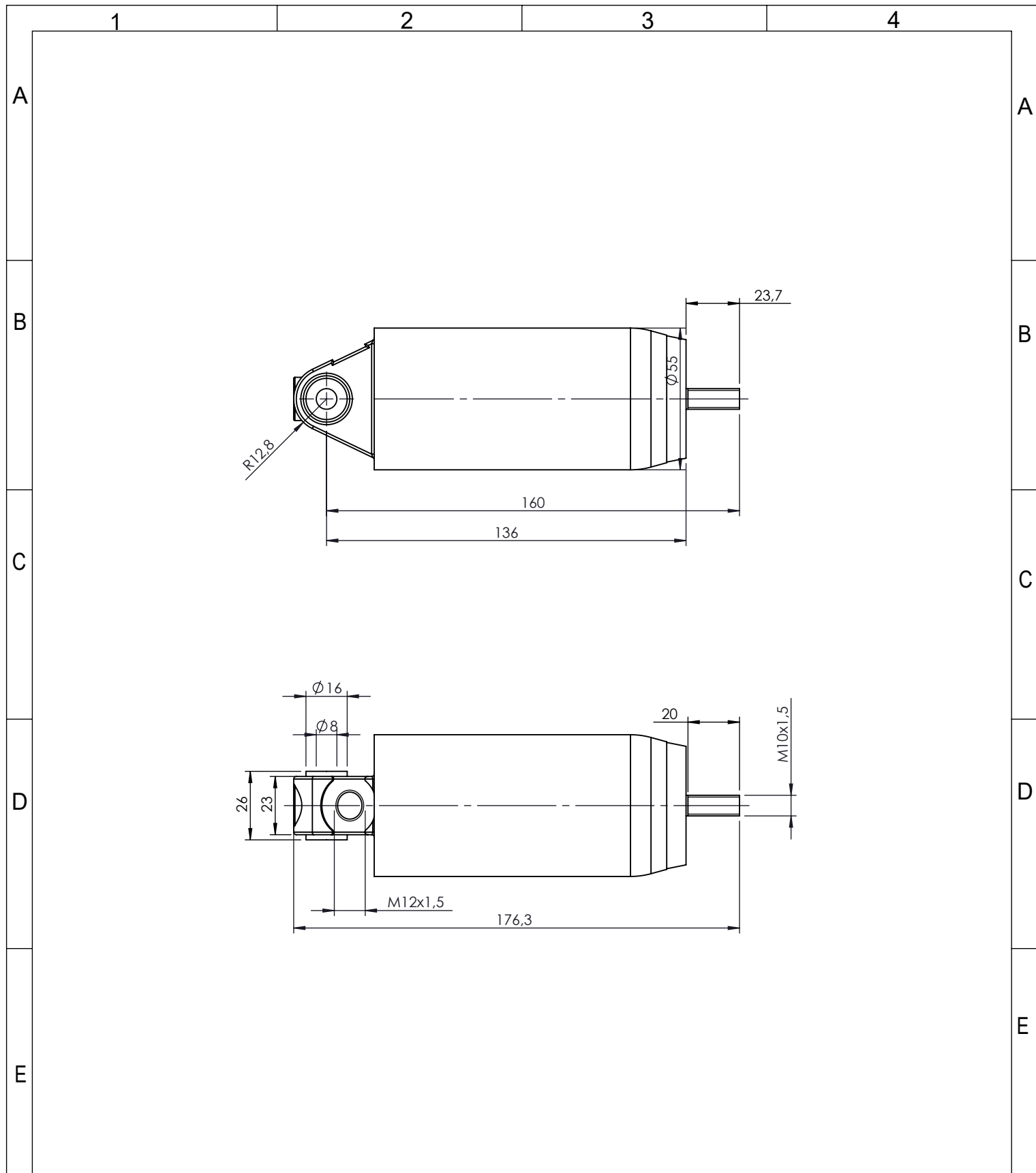
E


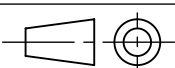


F

F

Modification	4				Drawn			
	3				02/09/20 S.F.			
	2				Checked			
	1				02/09/20 O.V.			
	nº	Modified	Date	Reason	General Tolerance		Assembly	
Comments					-	Part name	Operating cylinder/Cilindro operacional	
					Material	ID. Reference	2880120	
					-	Scale: -		Sheet 1/2
					-	Review: 0		



F	Modification	4				Drawn		F
		3				03/09/20 S.F.		
		2				Checked		
		1				03/09/20 O.V.		
	nº	Modified	Date	Reason	General Tolerance	Assembly		
Comments					-	Part name	Operating cylinder/Cilindro operacional	
					Material	ID. Reference	2880120	
					-	Scale: -		Sheet 1/1
					-	Review: 0		
PG/18/02 rev.1 1					2	3	4	