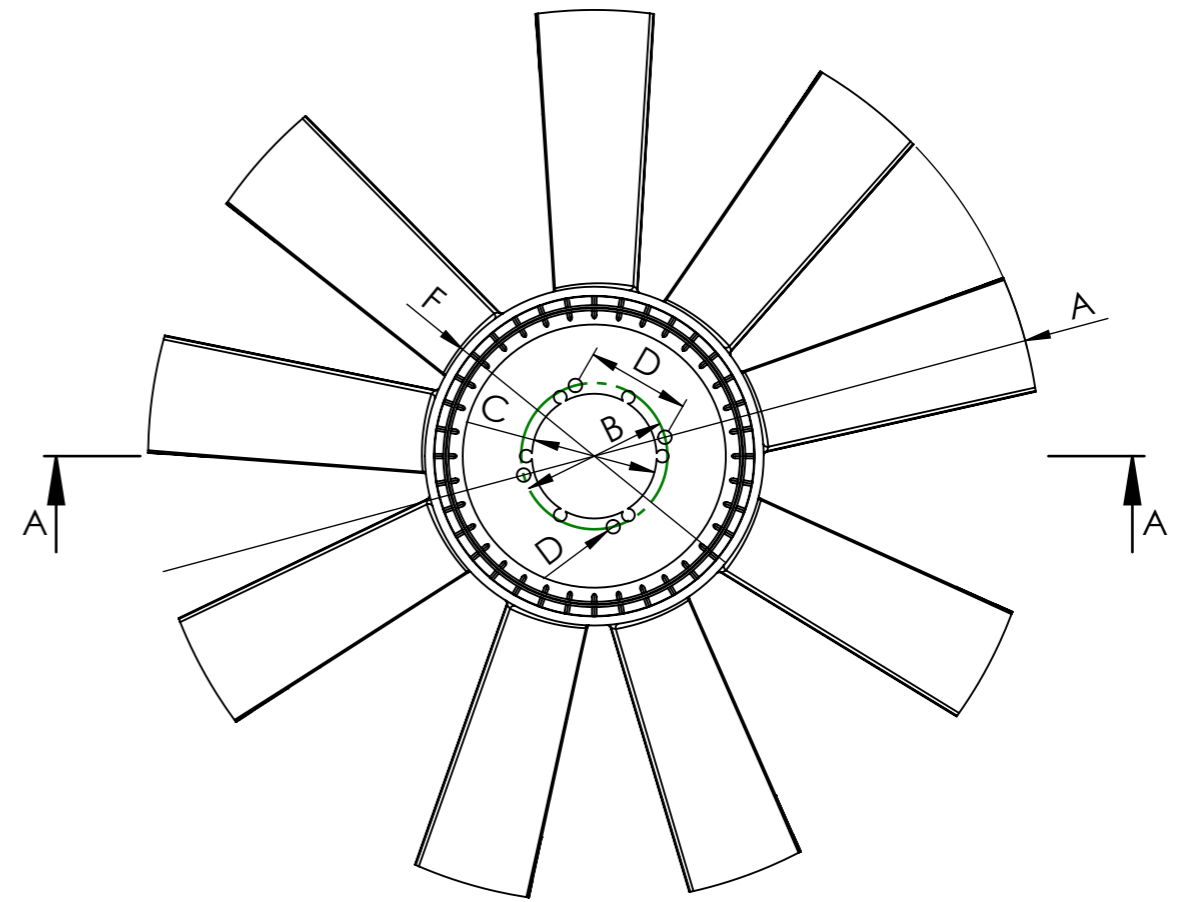
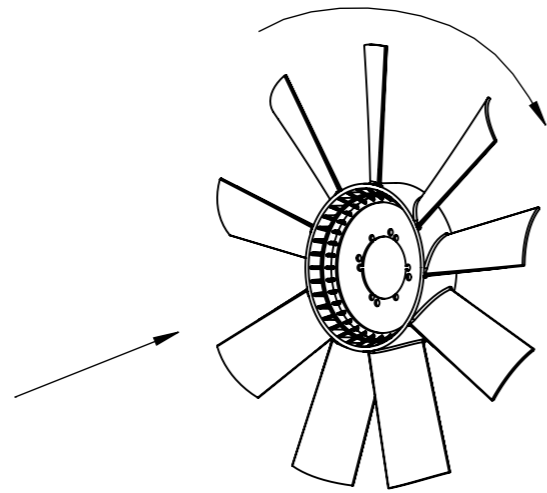



SECTION A-A
SCALE 1 : 5



Dimensional values	FAN WHEEL				
	Ref.n°	Value	Ref.n°	Value	
A	Ø 590 ±3 mm	G	59 ±3 mm		
B	Ø 96,7 mm	H	24,5 ±3 mm		
C	Ø 82,5 +0,3 0 mm	I	60,4 ±3 mm		
D	4x Ø 9 mm				
E	68,4 mm				
F	Ø 224 ±3 mm				
Number of blades		9	Configuration		CW

Modification n°	Modified	Date	Reason	Comments	Drawn
					4
3					Checked
2					14/05/20 A.D.
1					

General Tolerance		ISO 2768 c-K	Assembly		Technical sheet
Material			Part name		Fan wheel
ID. Reference		7027107	Scale: 1/5		
Review: 0			Sheet 1/1		

