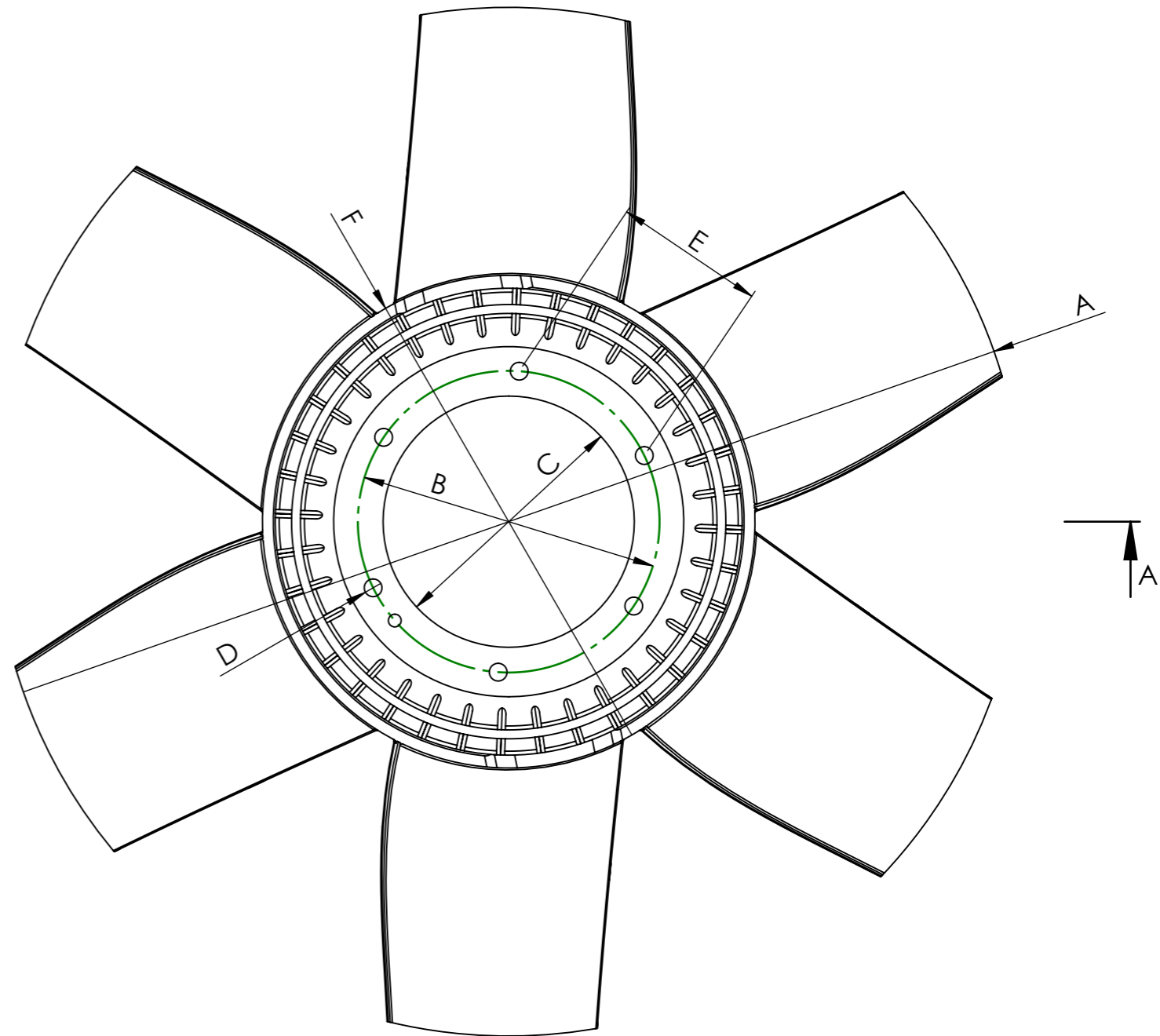
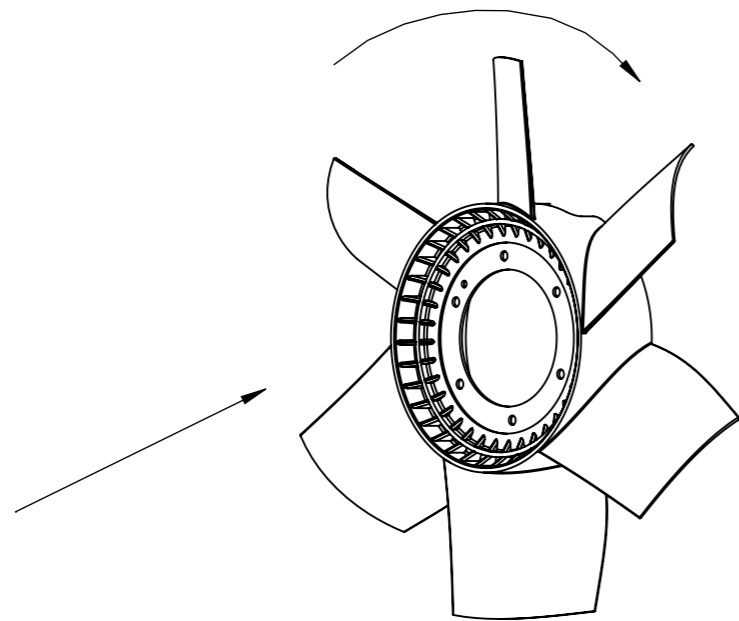
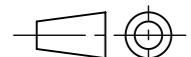


SECTION A-A
SCALE 1 : 3



FAN WHEEL				
Dimensional values	Ref.n°	Value	Ref.n°	Value
	A	$\phi 520 \pm 3$ mm	G	93 ± 3 mm
	B	$\phi 152,4$ mm	H	$64,8 \pm 3$ mm
	C	$\phi 127 +0,30$ mm	I	$94,3 \pm 3$ mm
	D	6x $\phi 9$ mm		
	E	76,2 mm		
	F	$\phi 250 \pm 3$ mm		
	Number of blades	6	Configuration	CW

Modification n°	Modified	Date	Reason	Comments	Drawn
					4
3					Checked
2					22/05/20 A.D.
1					

General Tolerance	ISO 2768 c-K	Assembly	Technical sheet
Material		Part name	Fan wheel
		ID. Reference	7027117
		Scale: 1/3	
		Review: 0	

