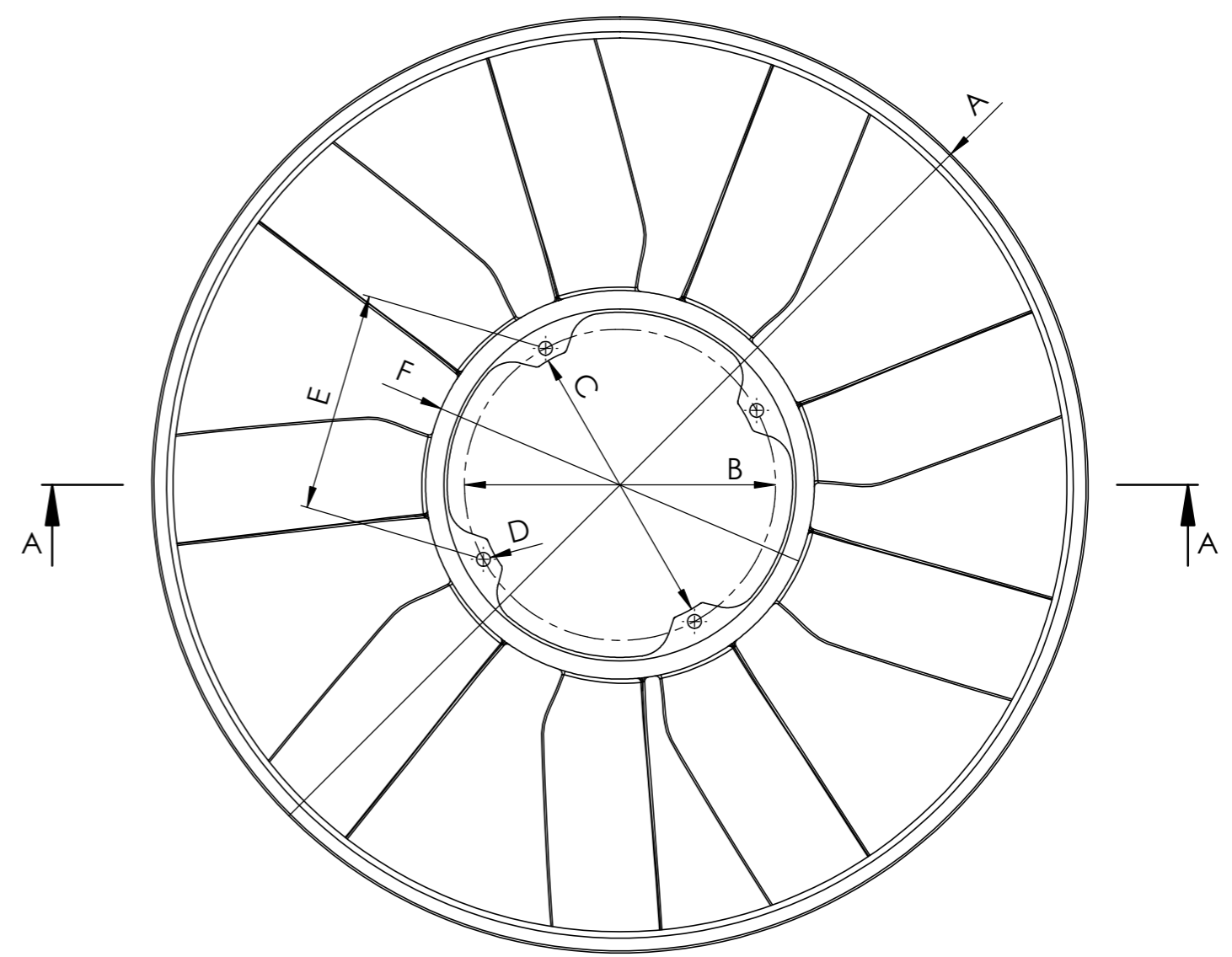
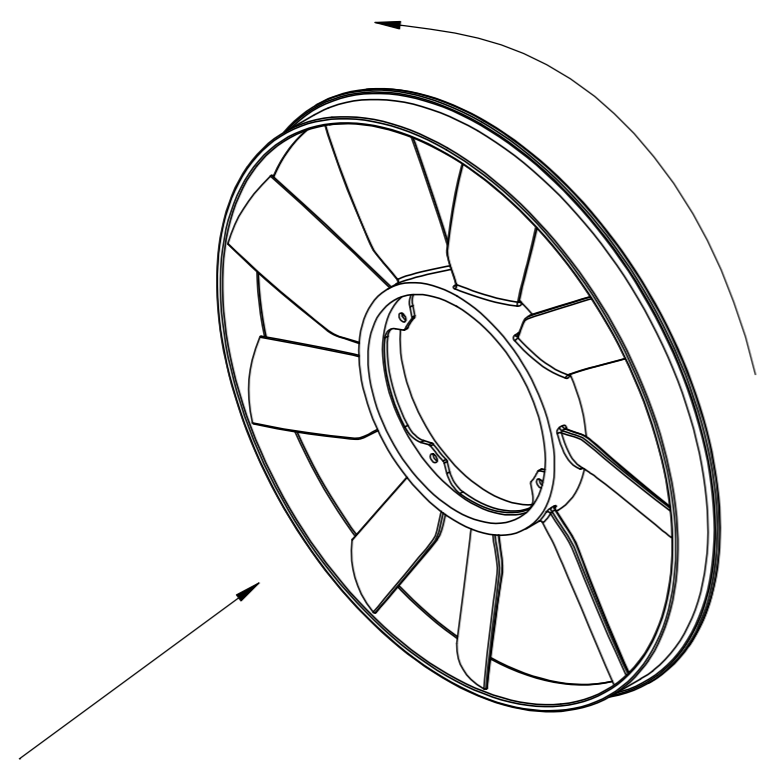


SECTION A-A



Dimensional values		FAN WHEEL			
Ref.n°	Value	Ref.n°	Value		
A	$\phi 364 \pm 3$ mm	G	$27 \pm 3$ mm		
B	$\phi 124$ mm	H	$9.5 \pm 3$ mm		
C	$\phi 111 +0.30$ mm	I	$27 \pm 3$ mm		
D	4x $\phi 7$ mm	J	$\phi 360 \pm 3$ mm		
E	87.7 mm				
F	$\phi 159 \pm 3$ mm				
Number of blades		9	Configuration		CCW

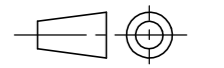
Modification n°	Modified	Date	Reason
4			
3			
2			
1	Urda	04/04/24	Change direction of rotation.

**Comments**  
The drawing views may not match the actual parts.

**Drawn**  
24/06/20 A.G.  
**Checked**  
24/06/20 R.U.

**General Tolerance**  
ISO 2768 c-K  
**Material**

**Assembly**  
**Part name** Fan wheel  
**ID. Reference** 8110606  
**Scale:** 1/3  
**Review:** 1



**Sheet**  
1/1