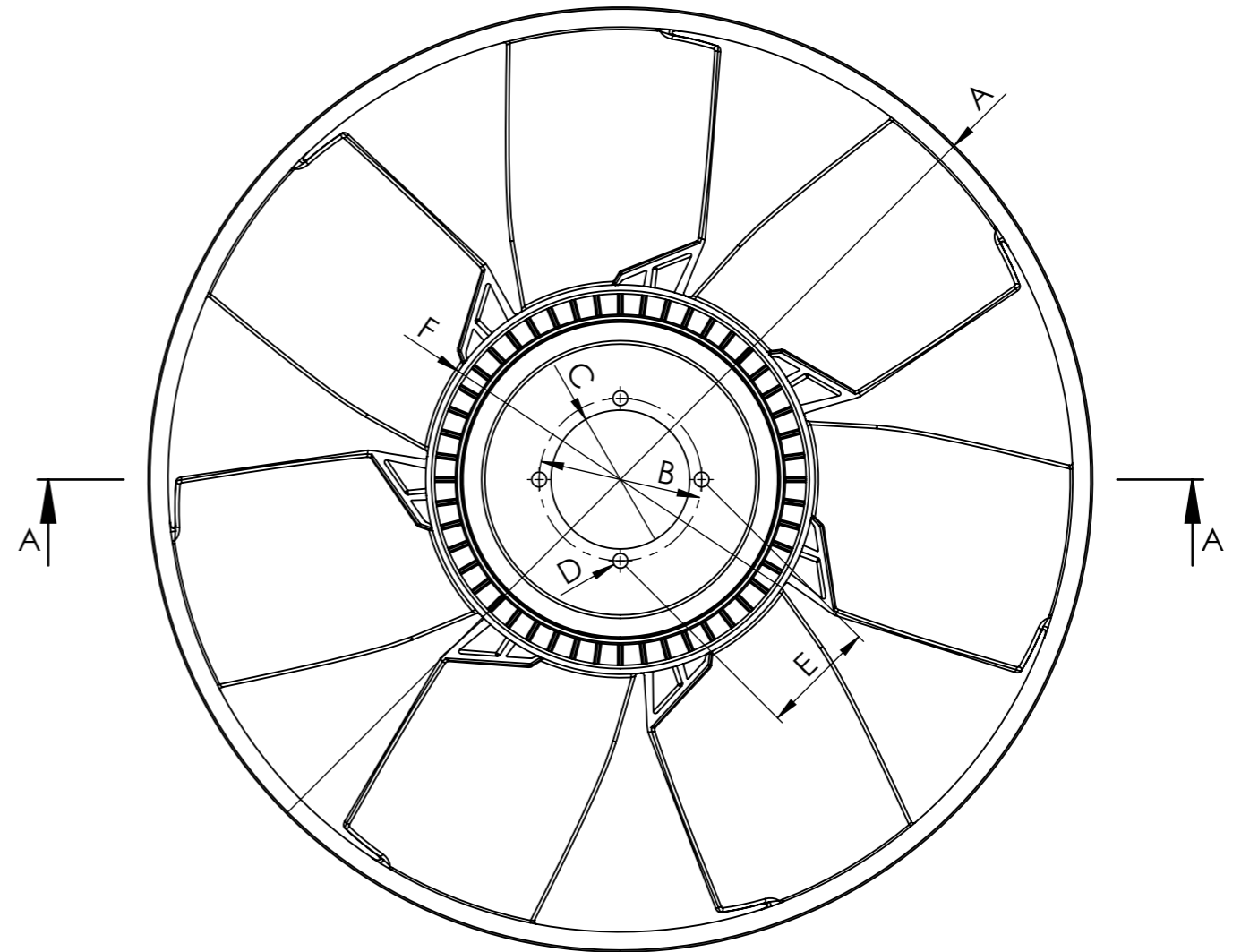
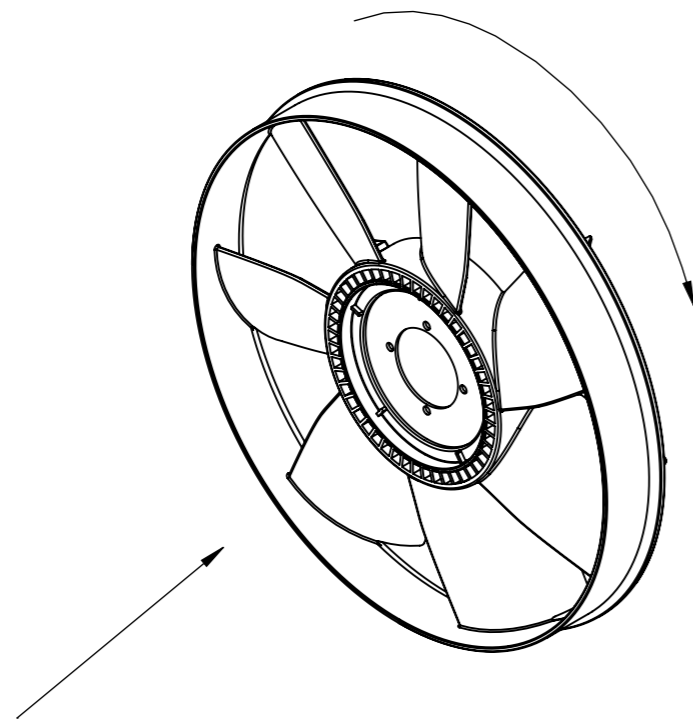




SECTION A-A



FAN WHEEL			
Ref.n°	Value	Ref.n°	Value
A	$\varnothing 551 \pm 3$ mm	G	$57.4 \pm 3$ mm
B	$\varnothing 96.7$ mm	H	$52.3 \pm 3$ mm
C	$\varnothing 82.5 +0.3 0$ mm	I	$90 \pm 3$ mm
D	6x $\varnothing 9.2$ mm	J	$\varnothing 538 \pm 3$ mm
E	68.4 mm		
F	$\varnothing 228.5 \pm 3$ mm		
Number of blades		7	Configuration CW

Modification n°	Modified	Date	Reason
4			
3			
2			
1			

Comments			

<b>Drawn</b>		
05/06/20 A.G.		
<b>Checked</b>	Technical sheet	
05/06/20 R.U.		
<b>General Tolerance</b>	<b>Assembly</b>	Technical sheet
ISO 2768 c-K	<b>Part name</b>	Fan wheel
<b>Material</b>	<b>ID. Reference</b>	8521602
	<b>Scale:</b> 1/4	
	<b>Review:</b> 0	
		<b>Sheet 1/1</b>