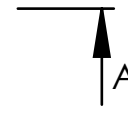
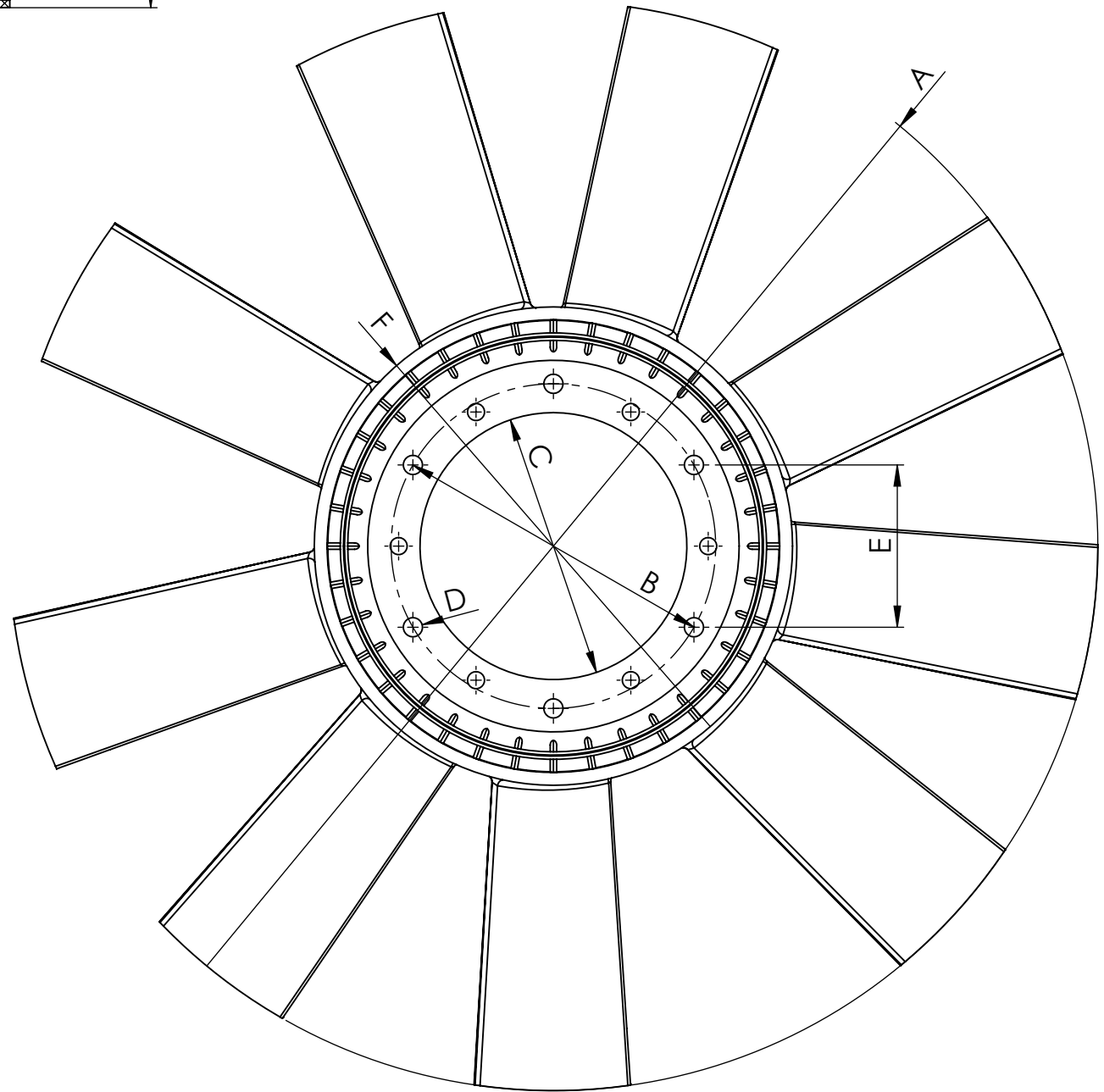
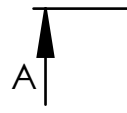
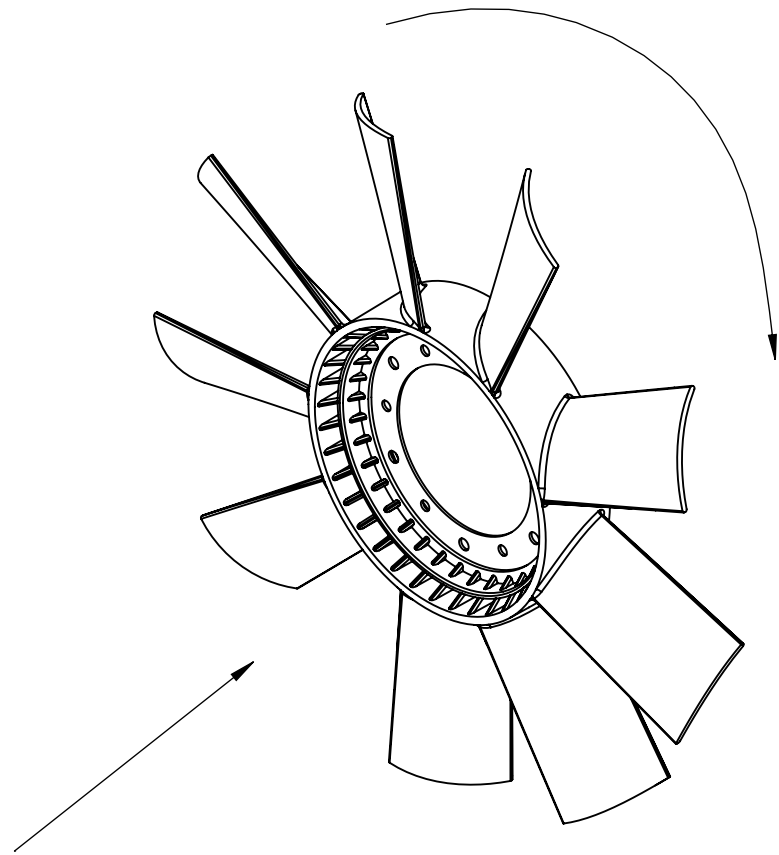


SECTION A-A



FAN WHEEL			
Ref.n°	Value	Ref.n°	Value
A	$\phi 510 \pm 3$ mm	G	59.2 ± 3 mm
B	$\phi 152.4$ mm	H	25.4 ± 3 mm
C	$\phi 125 +0.30$ mm	I	59.2 ± 3 mm
D	6x $\phi 9$ mm		
E	76.2 mm		
F	$\phi 221 \pm 3$ mm		
Number of blades		9	Configuration
			CW

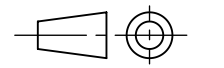
Modification n°	Modified	Date	Reason
4			
3			
2			
1			

Comments

Drawn
05/06/20 A.G.
Checked
05/06/20 R.U.

General Tolerance
ISO 2768 c-K
Material

Assembly
Part name Fan wheel
ID. Reference 8521609
Scale: 1/3
Review: 0



Sheet
1/1