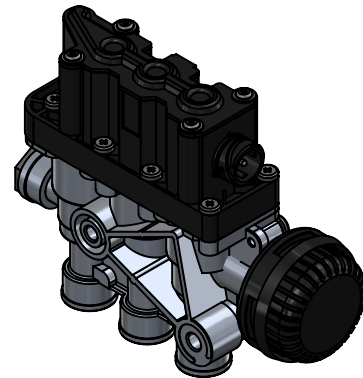
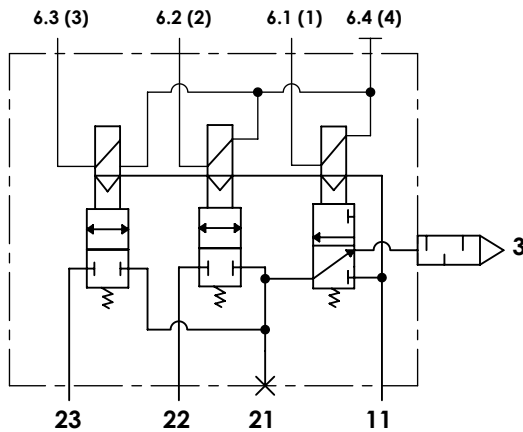


Technical sheet / Datos técnicos:

| | |
|--|--------------------|
| Part number adaptable to / Referencia adaptable a | 4728800040 |
| Operating pressure / Presión de trabajo | max. 13 bar |
| Voltage / Voltaje | 24 V |
| Permissible medium / Medio de funcionamiento | Air / Aire |
| Operating temperature range / Rango de temperatura | -40°C to / a +80°C |
| Weight / Peso | 2350 gr |



| Port / Conexión | Function / Función | Thread / Rosca |
|-----------------|--|------------------------|
| 11 | Supply / Alimentación | M22x1,5 VOSS |
| 21 | Delivery / Salida | Closed / Taponada |
| 22 | Delivery / Salida | M22x1,5 VOSS |
| 23 | Delivery / Salida | M22x1,5 VOSS |
| 3 | Exhaust / Escape | Silencer / Silencioso |
| 6 | Electric connection / Conexión eléctrica | Bayonet DIN 72585 A1-4 |

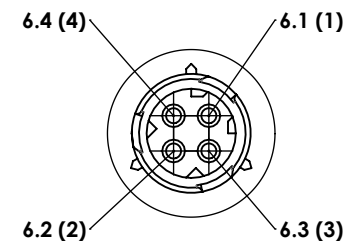
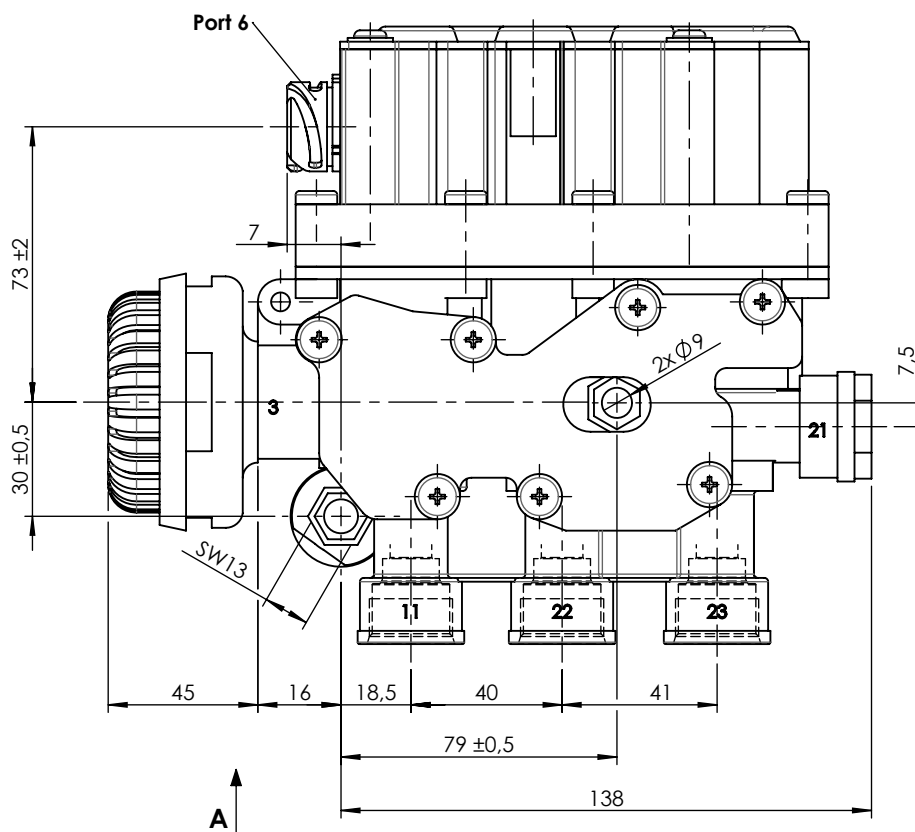
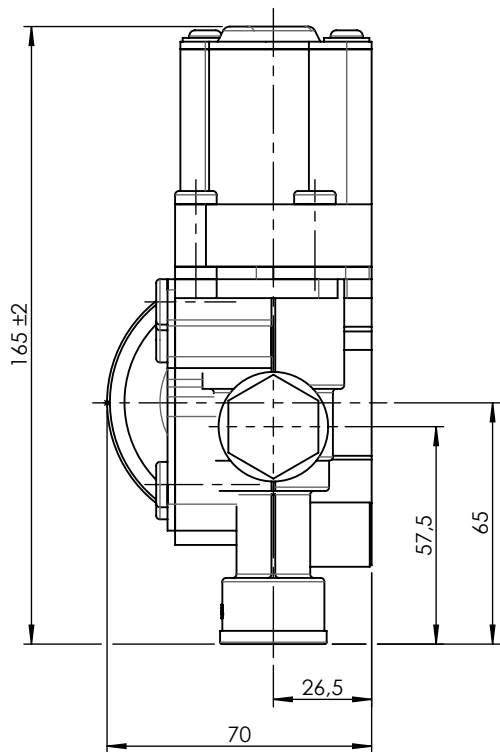
Purpose / Propósito:

Pressure regulation of the suspension bellows through the activation of solenoids valves according to suspension ECU electric signal. / Regulación de la presión en los colchones de suspensión mediante la activación de solenoides a través de las señales eléctricas de la ECU de suspensión.

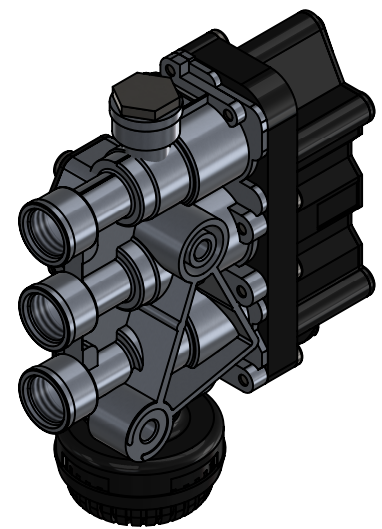
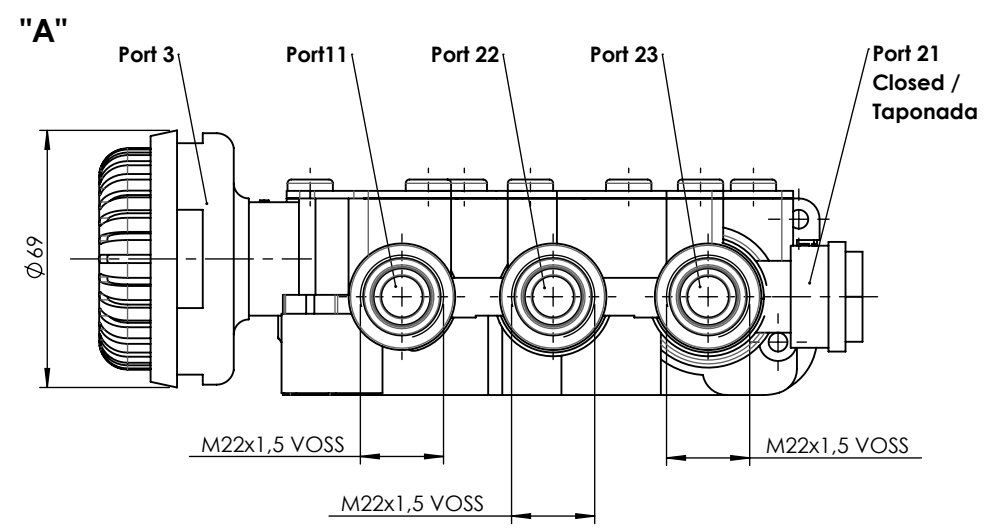
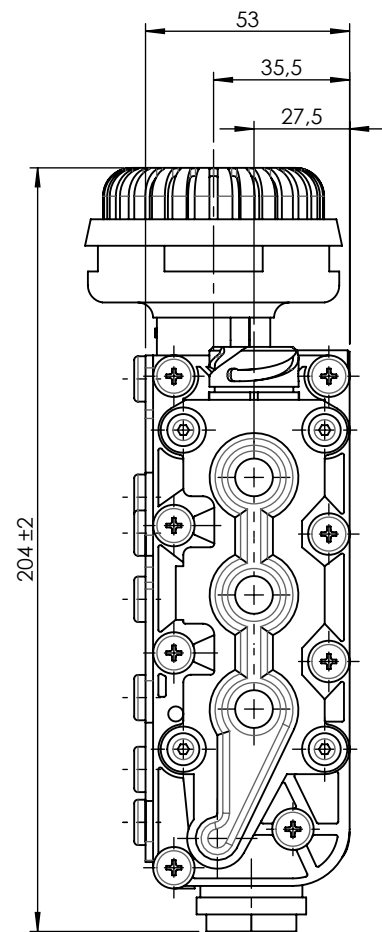
Installation requirements / Requisitos para la instalación:


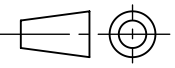
The valve must be installed so that the exhaust port is horizontal position. Mounting is accomplished with two M8 mounting bolts. / La válvula se debe instalar de forma que el escape esté en posición horizontal. El montaje se realiza mediante dos pernos de montaje M8.

| | | | | | | | |
|--------------|----|----------|------|--------|-------------------|---------------|---------------------|
| Modification | 4 | | | | Drawn | | |
| | 3 | | | | 17/02/11 A.U. | | |
| | 2 | | | | Checked | | |
| | 1 | | | | 17/02/11 A.L. | | |
| | nº | Modified | Date | Reason | General Tolerance | | Assembly |
| Comments | | | | | - | Part name | Solenoid valve ECAS |
| | | | | | Material | ID. Reference | 2209424 |
| | | | | | - | Scale: - | |
| | | | | | - | Review: 0 | |



SCALE / ESCALA 2 : 3



| | | | | | | |
|--------------|-------------|------|--------|-------------------|---|---|
| Modification | 4 | | | Drawn |  | |
| | 3 | | | 17/02/11 A.U. | | |
| | 2 | | | Checked | | |
| | 1 | | | 17/02/11 A.L. | | |
| | nº Modified | Date | Reason | General Tolerance | Assembly | - |
| Comments | | | | ISO 2768 c-K | Part name | Solenoid valve ECAS |
| | | | | Material | ID. Reference | 2209424 |
| | | | | - | Scale: 1/2 |  |
| | | | | - | Review: 0 | |