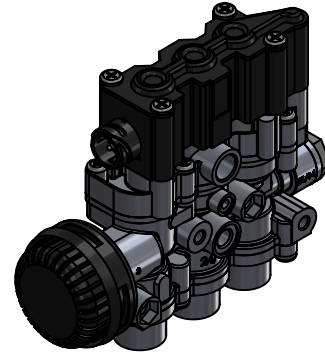
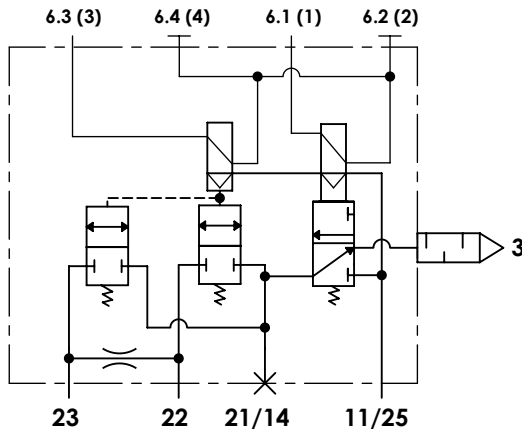


Technical sheet / Datos técnicos:

| | |
|--|--------------------|
| Part number adaptable to / Referencia adaptable a | 4729000650 |
| Operating pressure / Presión de trabajo | max. 13 bar |
| Voltage / Voltaje | 24 V |
| Permissible medium / Medio de funcionamiento | Air / Aire |
| Operating temperature range / Rango de temperatura | -40°C to / a +80°C |
| Weight / Peso | 2300 gr |



| Port / Conexión | Function / Función | Thread / Rosca |
|-----------------|--|------------------------|
| 11/25 | Supply / Alimentación | M22x1,5 VOSS |
| 21/14 | Delivery / Salida | Closed / Taponada |
| 22 | Delivery / Salida | M22x1,5 VOSS |
| 23 | Delivery / Salida | M22x1,5 VOSS |
| 3 | Exhaust / Escape | Silencer / Silencioso |
| 6 | Electric connection / Conexión eléctrica | Bayonet DIN 72585 A1-4 |

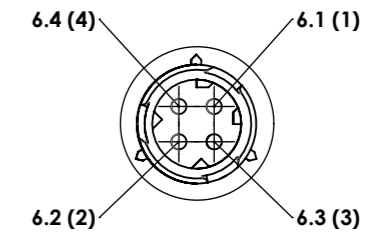
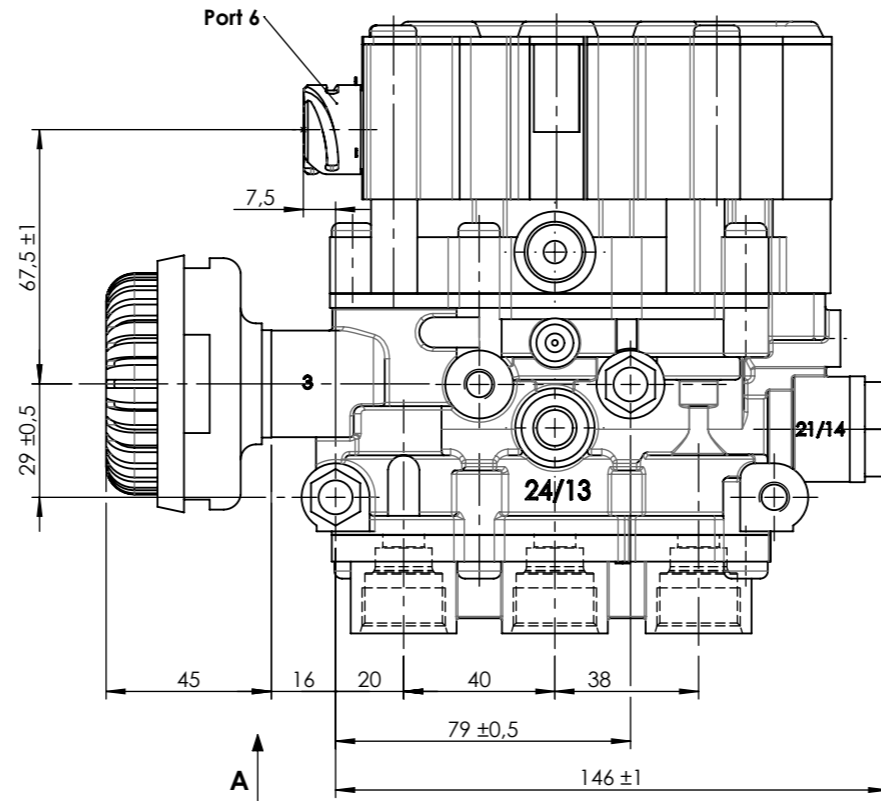
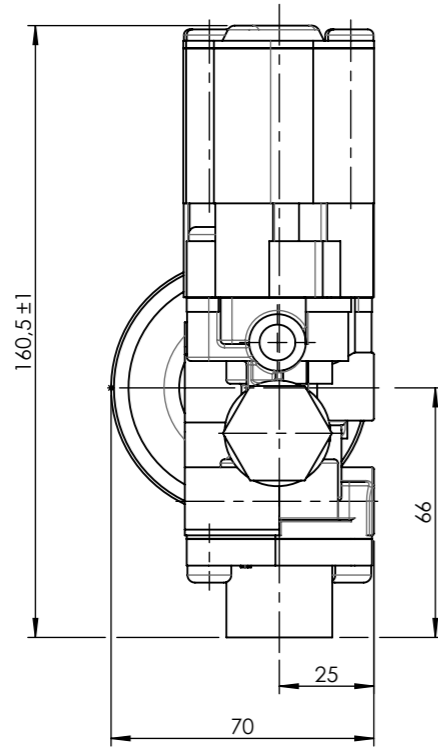
Purpose / Propósito:

Pressure regulation of the suspension bellows through the activation of solenoids valves according to suspension ECU electric signal. / Regulación de la presión en los colchones de suspensión mediante la activación de solenoides a través de las señales eléctricas de la ECU de suspensión.

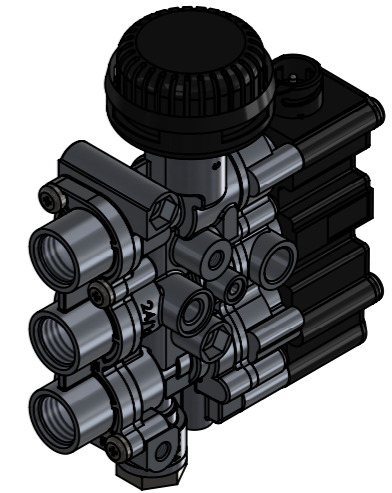
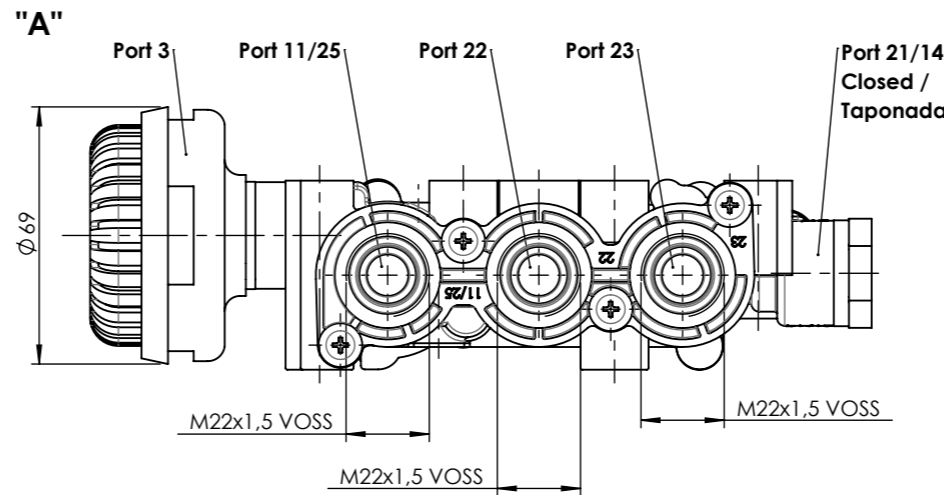
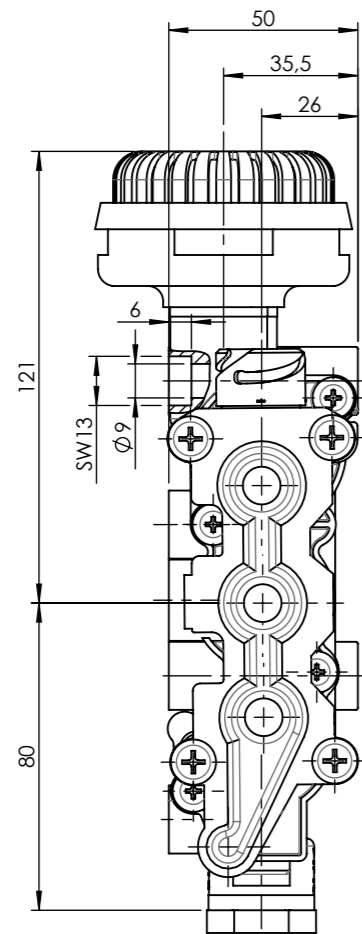
Installation requirements / Requisitos para la instalación:

The valve must be installed so that the exhaust port is horizontal position. Mounting is accomplished with two M8 mounting bolts. / La válvula se debe instalar de forma que el escape esté en posición horizontal. El montaje se realiza mediante dos pernos de montaje M8.

| | | | | | | | | |
|--------------|----|----------|------|--------|-------------------|---------------|---------------------|-----------|
| Modification | 4 | | | | Drawn | | | |
| | 3 | | | | 29/08/18 A.I. | | | |
| | 2 | | | | Checked | | | |
| | 1 | | | | 29/08/18 O.V. | | | |
| | nº | Modified | Date | Reason | General Tolerance | | Assembly | - |
| Comments | | | | | - | Part name | Solenoid valve ECAS | |
| | | | | | Material | ID. Reference | 2209445 | |
| | | | | | - | Scale: - | | Sheet 1/2 |
| | | | | | - | Review: 0 | | |



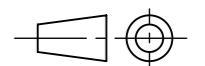
SCALE / ESCALA 2 : 3



| | | | | |
|--------------|-------------|------|--------|-------------------|
| Modification | 4 | | | Drawn |
| | 3 | | | 27/08/18 A.I. |
| | 2 | | | Checked |
| | 1 | | | 27/08/18 O.V. |
| | nº Modified | Date | Reason | General Tolerance |
| Comments | | | | ISO 2768 c-K |
| | | | | Material |
| | | | | - |



| | |
|---------------|---------------------|
| Assembly | - |
| Part name | Solenoid valve ECAS |
| ID. Reference | 2209445 |
| Scale: 1/2 | |
| Review: 0 | |



Sheet 2/2