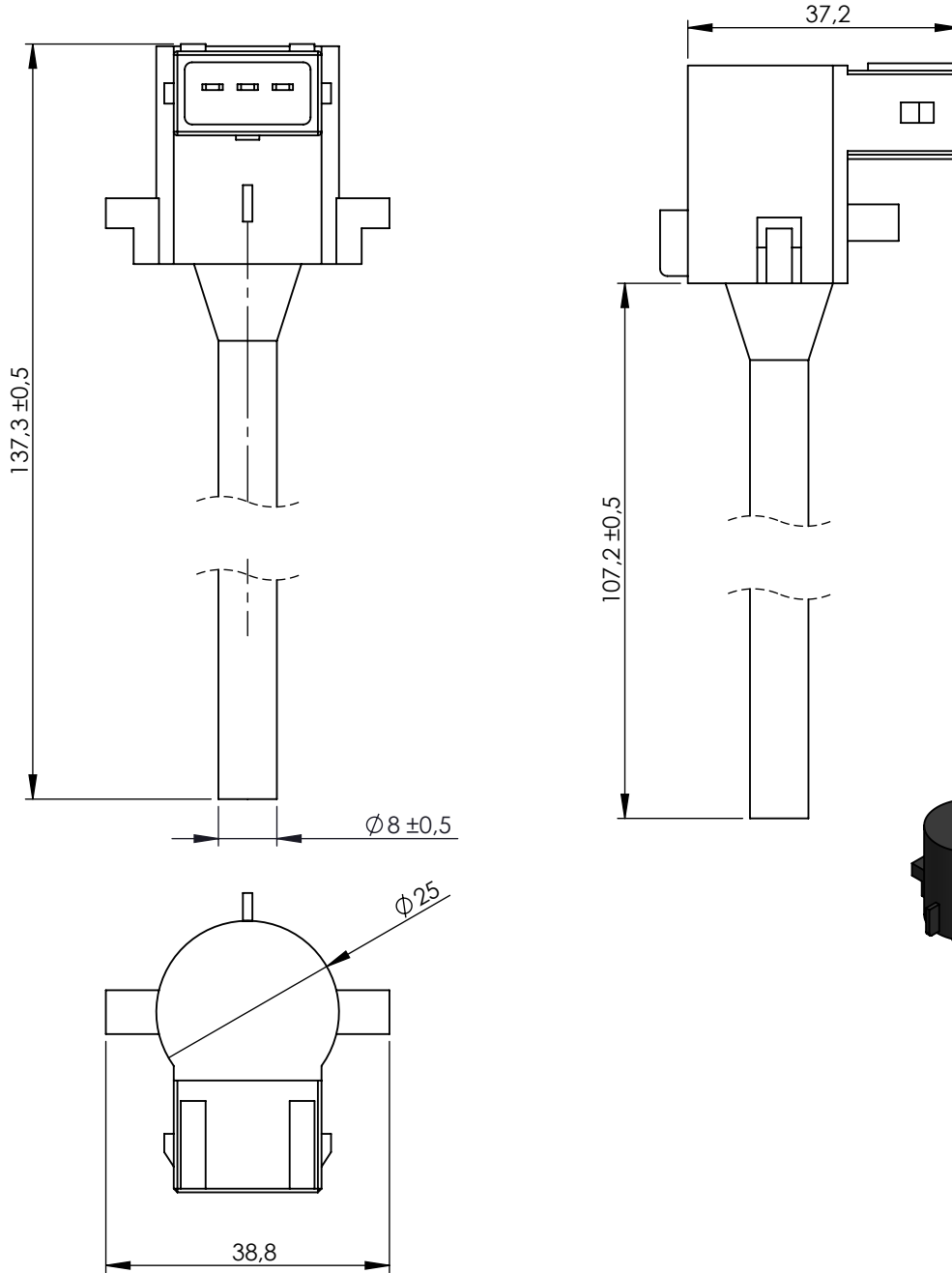


**Technical data/ Datos técnicos:**

|  |                 |
|--|-----------------|
| According to/ En referencia a:                     | 1624782         |
| Operating temperature range/ Rango de temperatura: | -40°C a/to 80°C |
| Weight/Peso:                                       | 27 gr           |

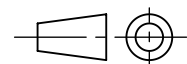


|              |    |          |      |        |                   |               |
|--------------|----|----------|------|--------|-------------------|---------------|
| Modification | 4  |          |      |        | Drawn             |               |
|              | 3  |          |      |        | 05/08/20 S.F.     |               |
|              | 2  |          |      |        | Checked           |               |
|              | 1  |          |      |        | 05/08/20 E.L.     |               |
|              | nº | Modified | Date | Reason | General Tolerance | Assembly      |
| Comments     |    |          |      |        | ISO 2768 c-K      | Part name     |
|              |    |          |      |        | Material          | ID. Reference |
|              |    |          |      |        | -                 | Scale: 1/1    |
|              |    |          |      |        | -                 | Review: 0     |



Coolant level sensor/  
Sensor nivel de refrigerante

2260396



Sheet  
1/1