

Technical Sheet / Datos técnicos:

Part number adaptable to/ Referencia adaptable a:	9432601309
Operating temperature range / Rango de temperatura:	- 40 °C a / to +120 °C
Weight / Peso:	710 gr

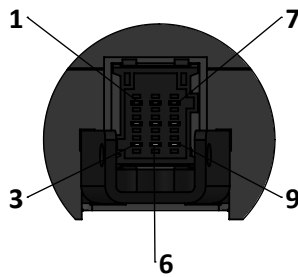
Gearshift lever/
Selector de marchas

Function button/
Botón de funcionalidades

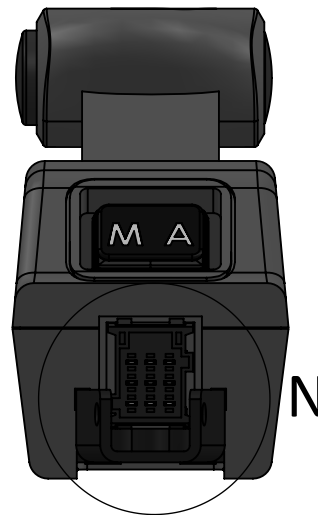
Neutral button/
Botón de punto muerto

Half-Gear swicht/
Balancín de semi-marchas

Switch Automatic/Manual /
Interruptor Automático/Manual



DETALLE N
ESCALA 1 : 2

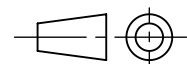


Modification	4					Drawn
	3					20/05/20 A.U.
	2					Checked
	1					20/05/20 A.L.
	nº	Modified	Date	Reason	General Tolerance	Assembly
Comments					ISO 2768 c-K	Part name
					Material	ID. Reference
					-	Scale: -
					-	Review: 0

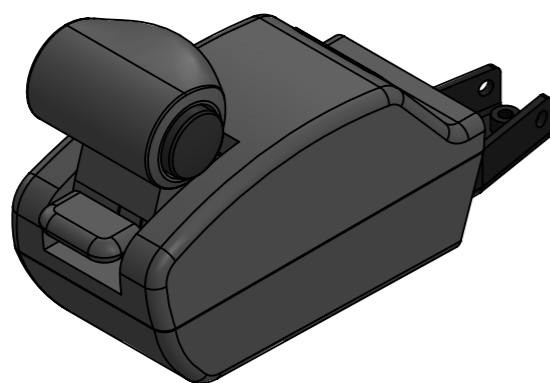
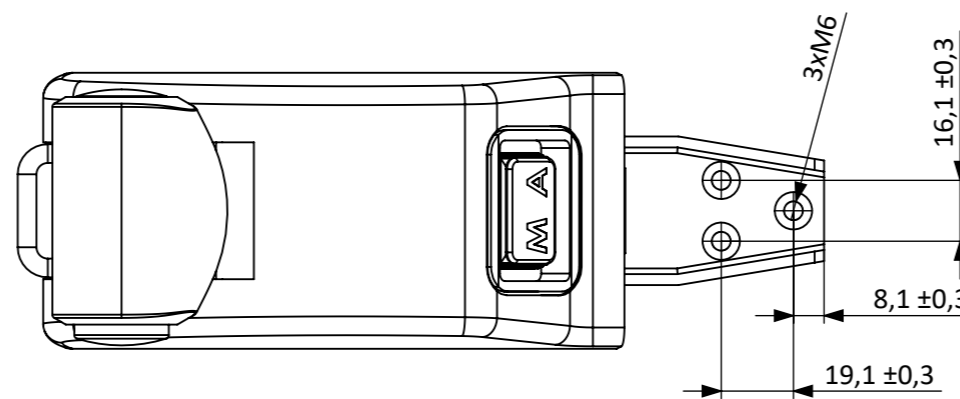
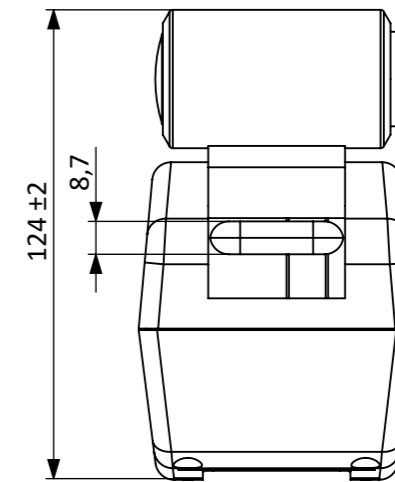
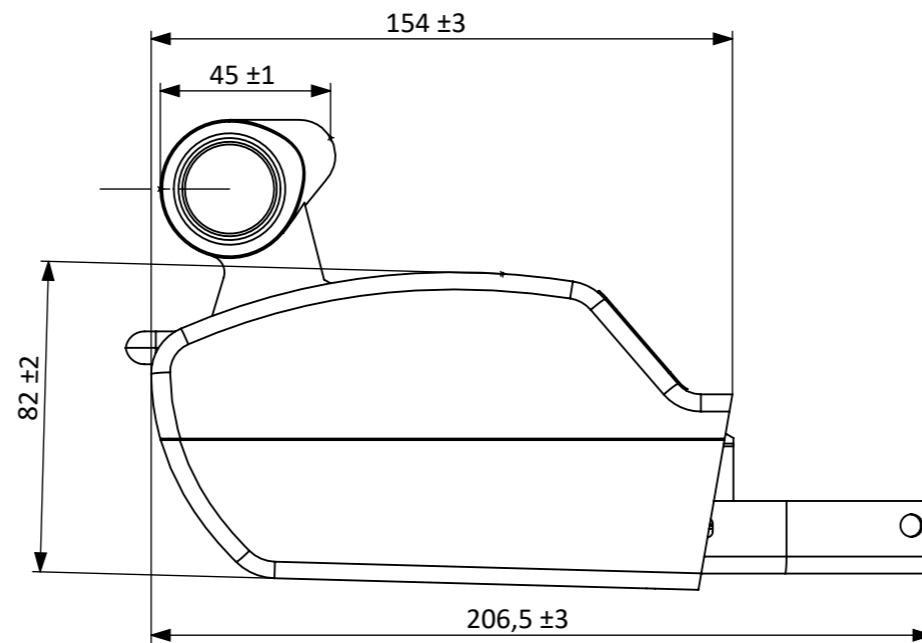
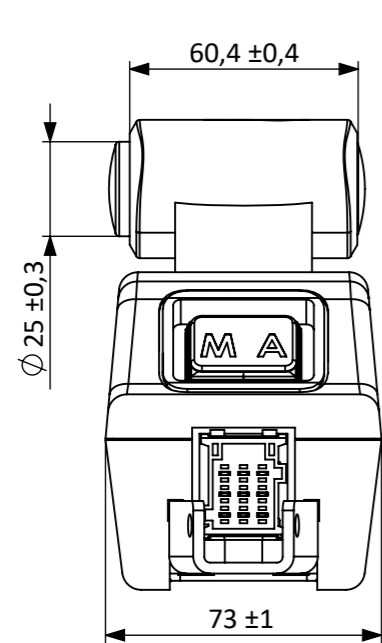




AUTOMATIC GEARSHIFT/
PALANCA DEL CAMBIO AUTOMÁTICO

2260652



Sheet
1/2



Modification	4			Drawn	
	3			20/05/20 A.U.	
	2			Checked	
	1			20/05/20 A.L.	
	nº Modified	Date	Reason	General Tolerance	Assembly
Comments				ISO 2768 c-K	Part name
				Material	ID. Reference
				-	2260652
				Scale: -	
				Review: 0	
					Sheet 2/2