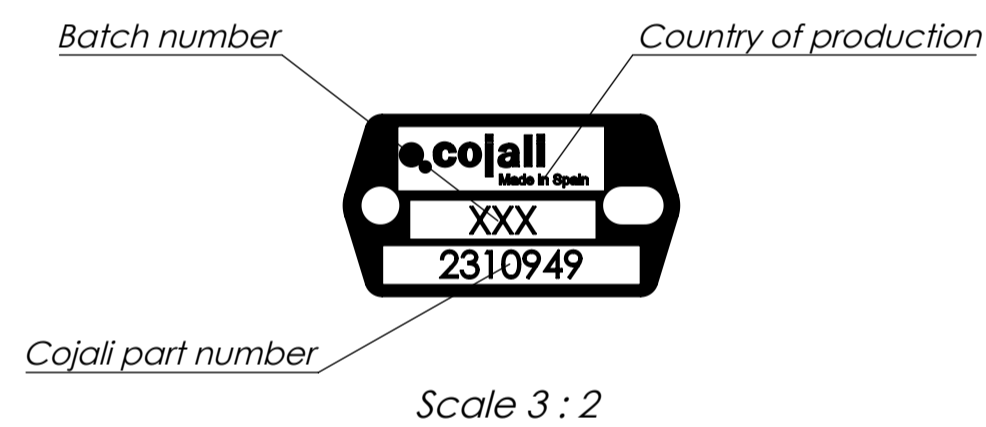
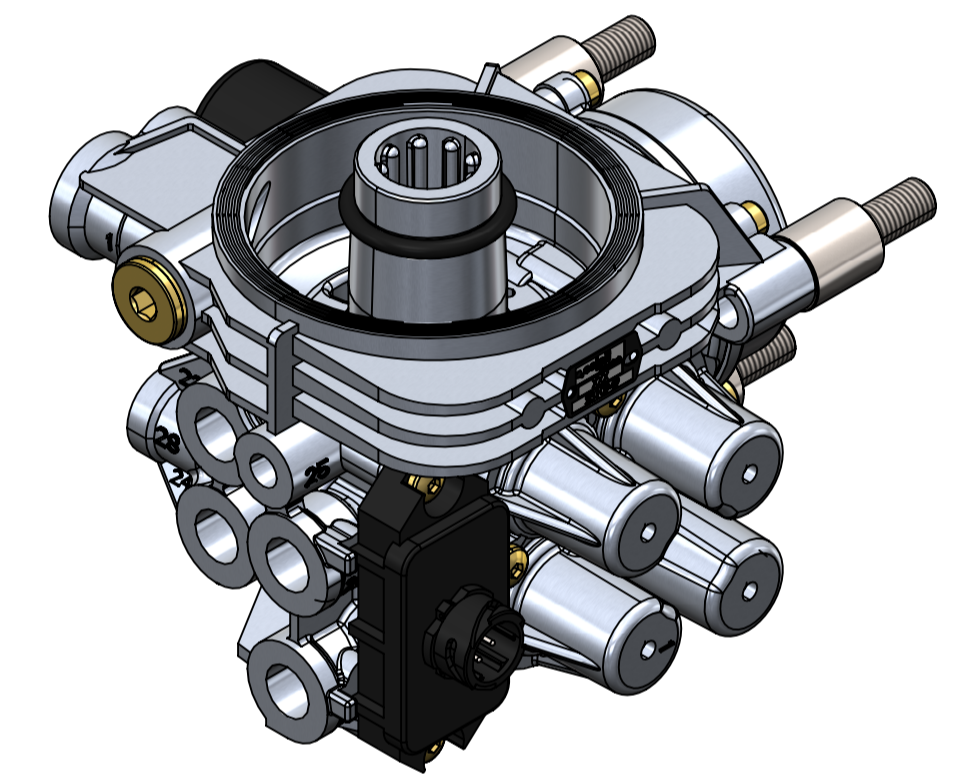
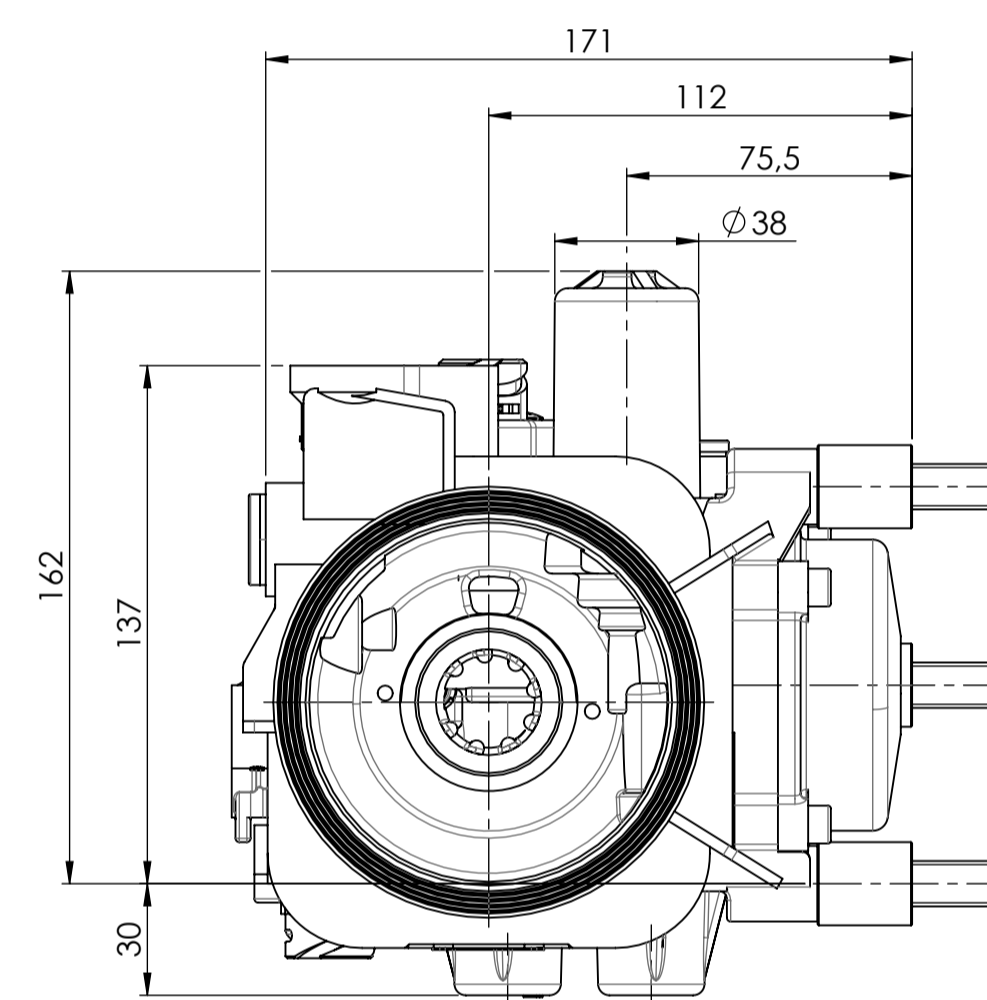
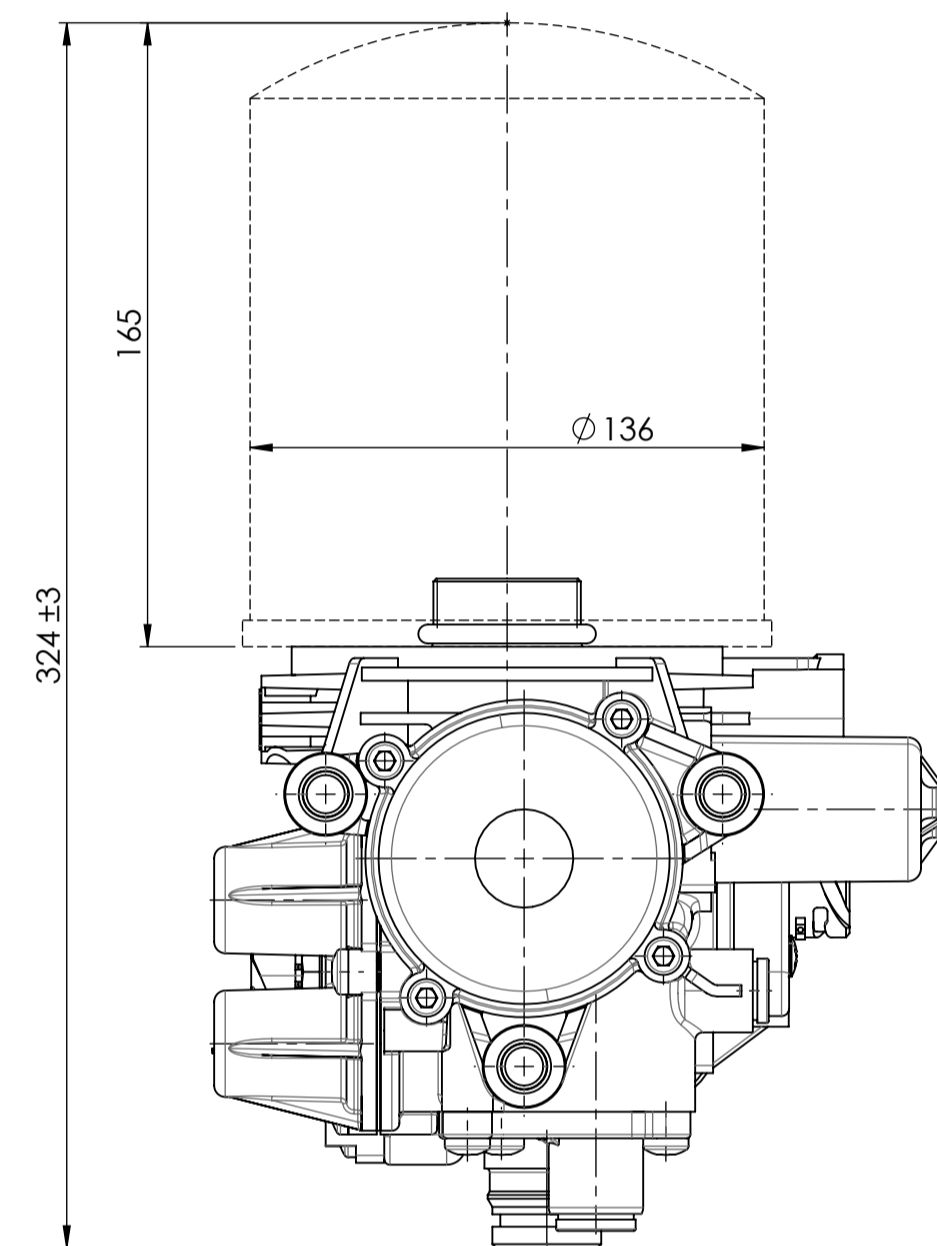


Scale 3 : 2



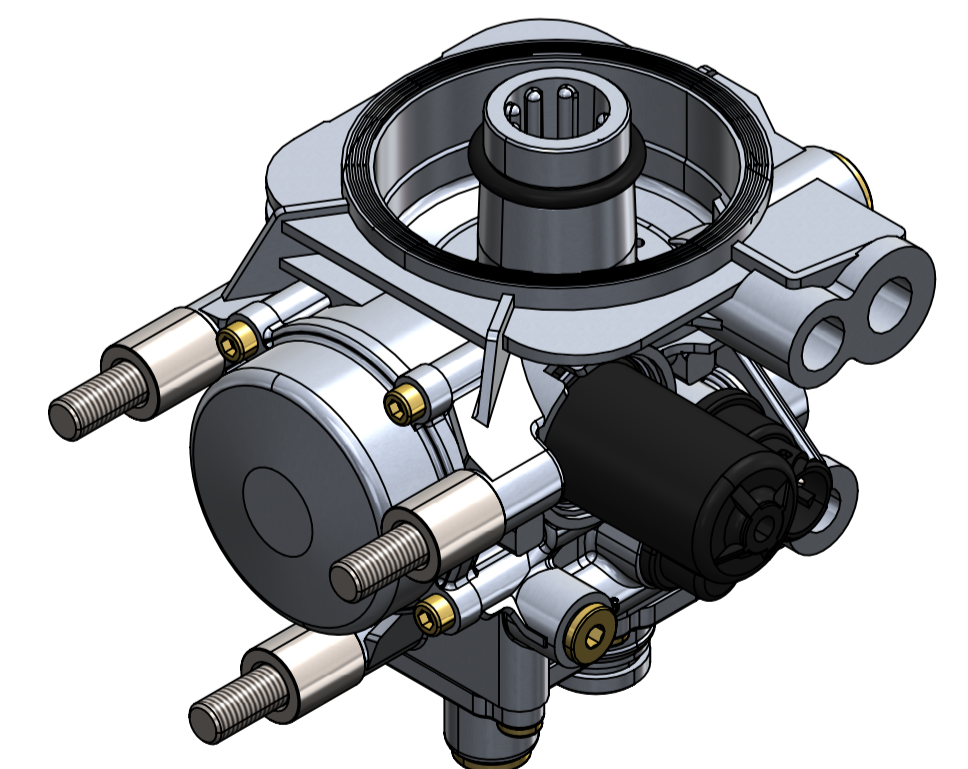
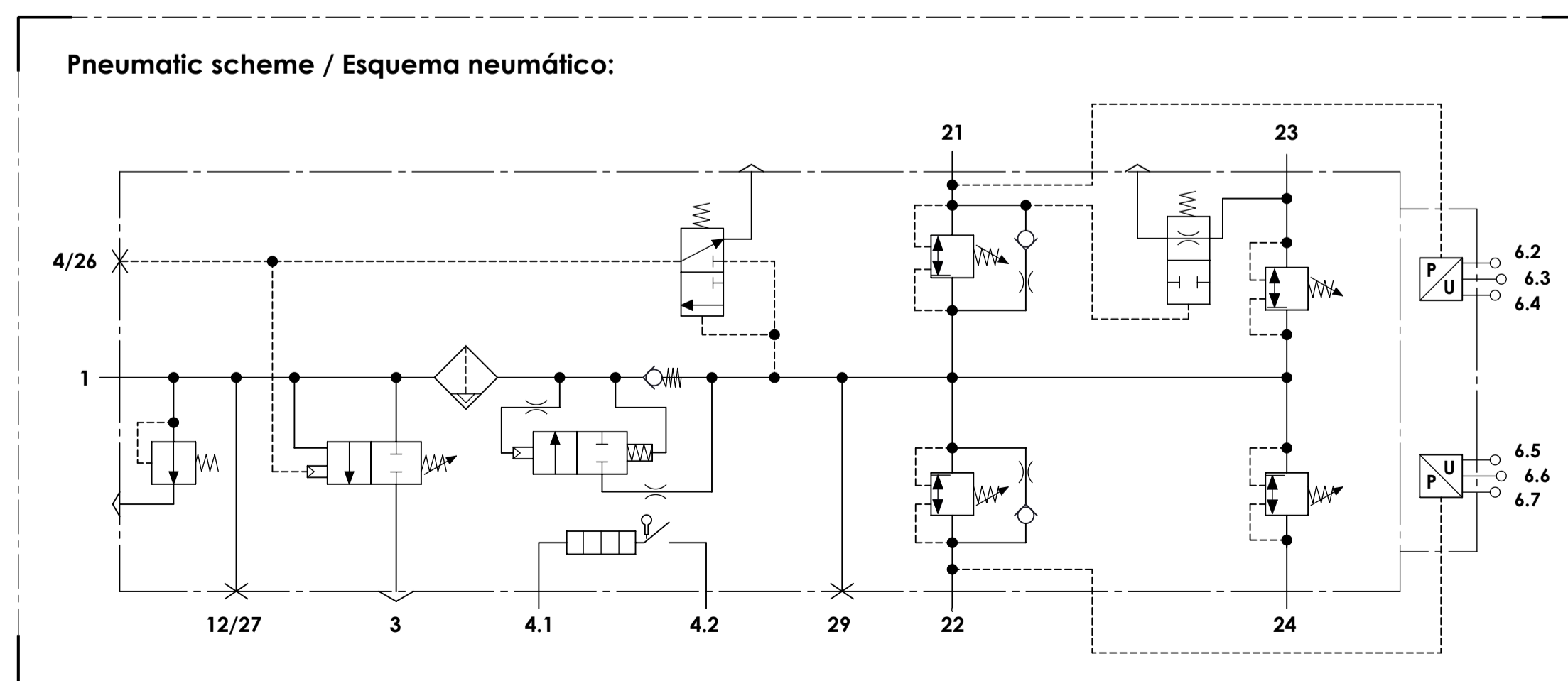
Scale 3 : 2

Technical data / Datos técnicos:

| | |
|--|---------------------------------------|
| Part number adaptable to / Referencia adaptable a | ZB4417 |
| Operating pressure / Presión de trabajo | max. 15 bar |
| Unloader / Regulador de presión | Integrated / Integrado |
| Cut-out pressure / Presión de corte | 12.5 ⁰ _{-0.4} bar |
| Heating / Calentador | 100 W / 24 V |
| Cut-in temperature / Temperatura de cierre | +7 ° ± 6 °C |
| Cut-in temperature / Temperatura de cierre | +29,5 ° ± 3 °C |
| Permissible medium / Medio de funcionamiento | Air / Aire |
| Operating temperature range / Rango de temperatura | -40 °C to / a +65 °C |
| Weight / Peso | 3800 gr |

| Pressure sensor / Sensor de presión | | | | | | |
|-------------------------------------|-----------------|------|-----|-----------------|------|-----|
| Circuit / Circuito | 1 | | | 2 | | |
| Contact / Contacto | 6.2 | 6.3 | 6.4 | 6.5 | 6.6 | 6.7 |
| Function / Función | Output / Salida | +5 V | GND | Output / Salida | +5 V | GND |

| Protection circuit valve / Válvula de protección de circuito | | | | |
|--|----------------------------------|----------------------------------|----------------------------------|----------------------------------|
| Circuit / Circuito | 1 | 2 | 3 | 4 |
| Port / Conexión | 21 | 22 | 23 | 24 |
| Opening pressure / Presión de apertura (bar) | 6,7 ^{+0.3} ₀ | 7,6 ⁰ _{-0.3} | 6,7 ^{+0.3} ₀ | 6,7 ^{+0.3} ₀ |
| Closing pressure / Presión de cierre (bar) | ≥ 4,5 | | ≥ 4,5 | |



| | | |
|-------------|-------------------|---------------------------|
| 4 | Drawn | 20/01/21 J.S. |
| 3 | Checked | 20/01/21 O.V. |
| 2 | Material | ISO 2768 v-K |
| 1 | Assembly | Air dryer processing unit |
| nº Modified | Date | Reason |
| Comments | General Tolerance | Scale: 1/2 |
| | Part name | Review: 0 |
| | ID. Reference | 2310949 |
| | Material | |

