

1

2

3

4

A

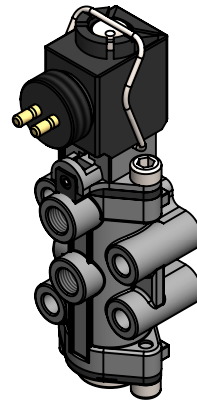
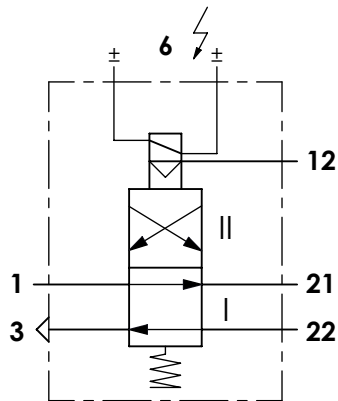
**Technical sheet / Datos técnicos:**

A

Part number adaptable to / Referencia adaptable a	1488083
Operating pressure / Presión de trabajo	max. 10 bar
Voltage / Voltaje	24 V
Permissible medium / Medio de funcionamiento	Air / Aire
Operating temperature range / Rango de temperatura	-40°C to / a +110°C
Weight / Peso	300 gr

B

B



C

C

D

D

Port / Conexión	Function / Función	Thread / Rosca
1	Supply / Alimentación	M10x1,0
12	Supply / Alimentación	M10x1,0
21	Delivery / Salida	M10x1,0 & 2x Ø2 mm
22	Delivery / Salida	M10x1,0 & 2x Ø2 mm
3	Exhaust / Escape	-
6	Electrical connection / Conexión eléctrica	M24x1,0

E

E

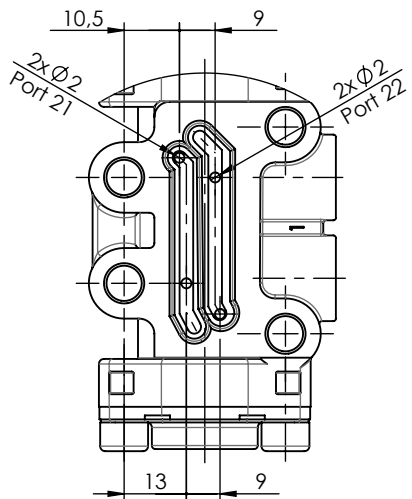
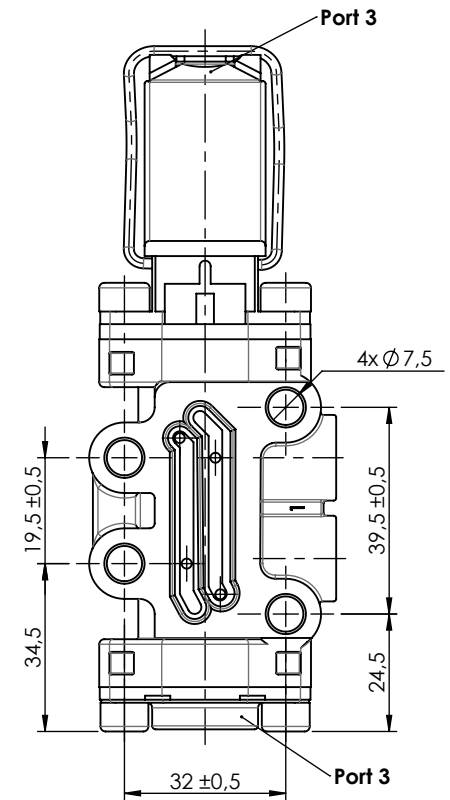
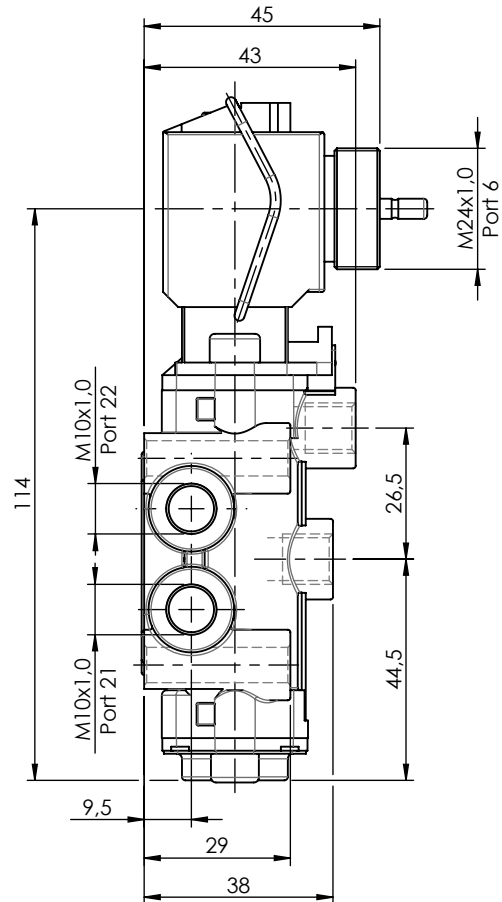
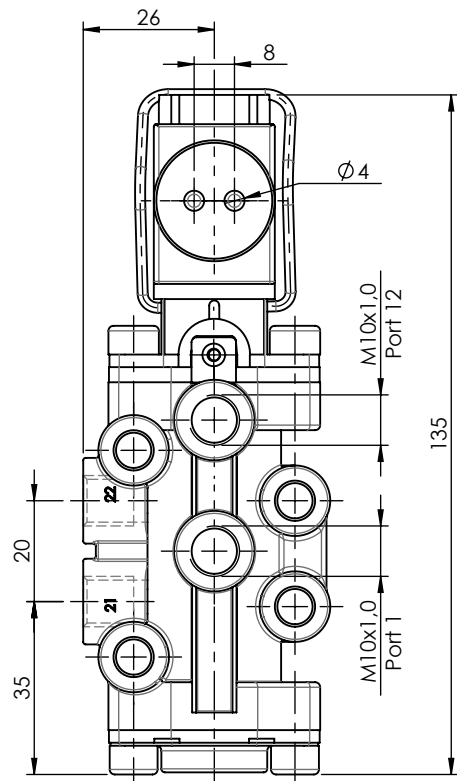
**Installation requirements / Requisitos para la instalación:**


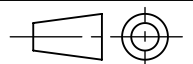
Mounting is accomplished with four screws M6. El montaje se realiza mediante cuatro tornillos M6.

F

F

Modification	4				Drawn	
	3				19/09/15 A.U.	
	2				Checked	
	1				19/09/15 A.L.	
nº	Modified	Date	Reason	General Tolerance	Assembly	-
Comments				-	Part name	Gearbox valve
				Material	ID. Reference	2880107
				-	Scale: -	
				-	Review: 0	



Modification	4				Drawn	
	3				19/09/15 A.U.	
	2				Checked	
	1				19/09/15 A.L.	
n°	Modified	Date	Reason	General Tolerance	Assembly	-
Comments				ISO 2768 c-K	Part name	Gearbox valve
				Material	ID. Reference	2880107
					Scale: 2/3	
					Review: 0	