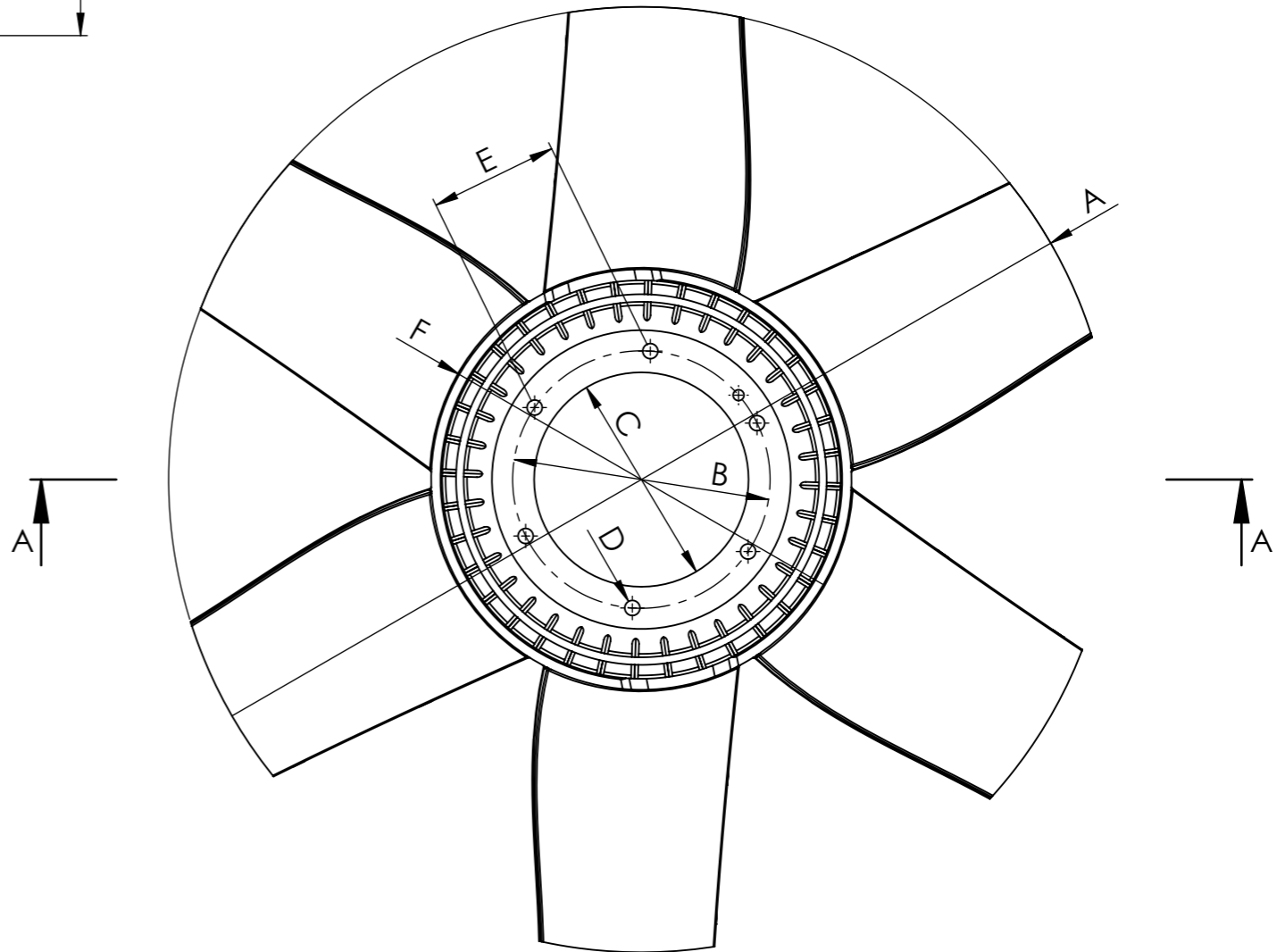
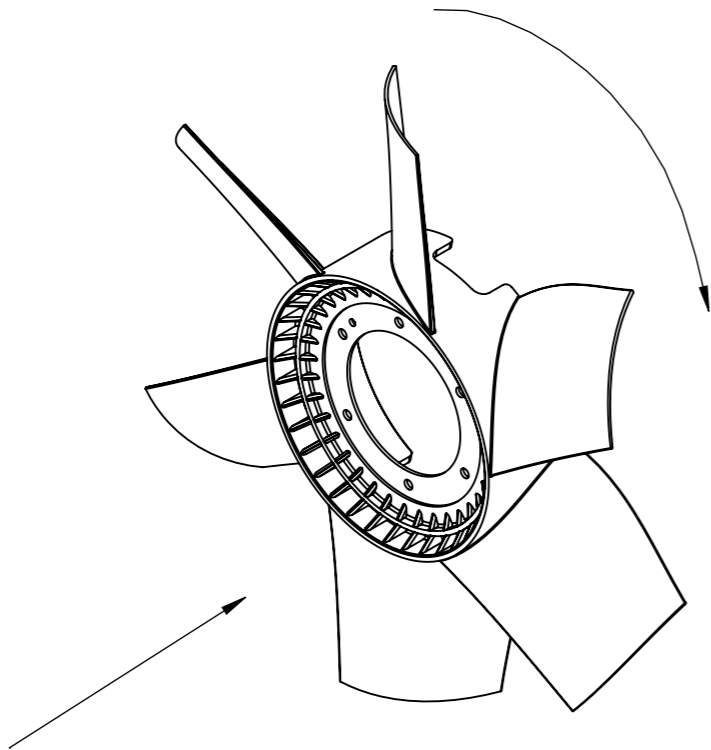
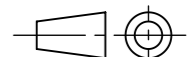


SECTION A-A



FAN WHEEL				
Dimensional values	Ref.n°	Value	Ref.n°	Value
	A	$\phi 560 \pm 3$ mm	G	$93 \pm 3$ mm
	B	$\phi 152,4$ mm	H	$64,8 \pm 3$ mm
	C	$\phi 127 +0,30$ mm	I	$94,3 \pm 3$ mm
	D	6x $\phi 9$ mm		
	E	76,2 mm		
	F	$\phi 250 \pm 3$ mm		
Number of blades		6	Configuration CW	

Modification n°	Modified	Date	Reason	Comments	Drawn
					4
3					Checked
2					15/05/20 R.U.
1					

General Tolerance		ISO 2768 c-K	Assembly		Technical sheet
Material			Part name		Fan wheel
ID. Reference		7027115	Scale: 1/4		
Review: 0			Sheet 1/1		

