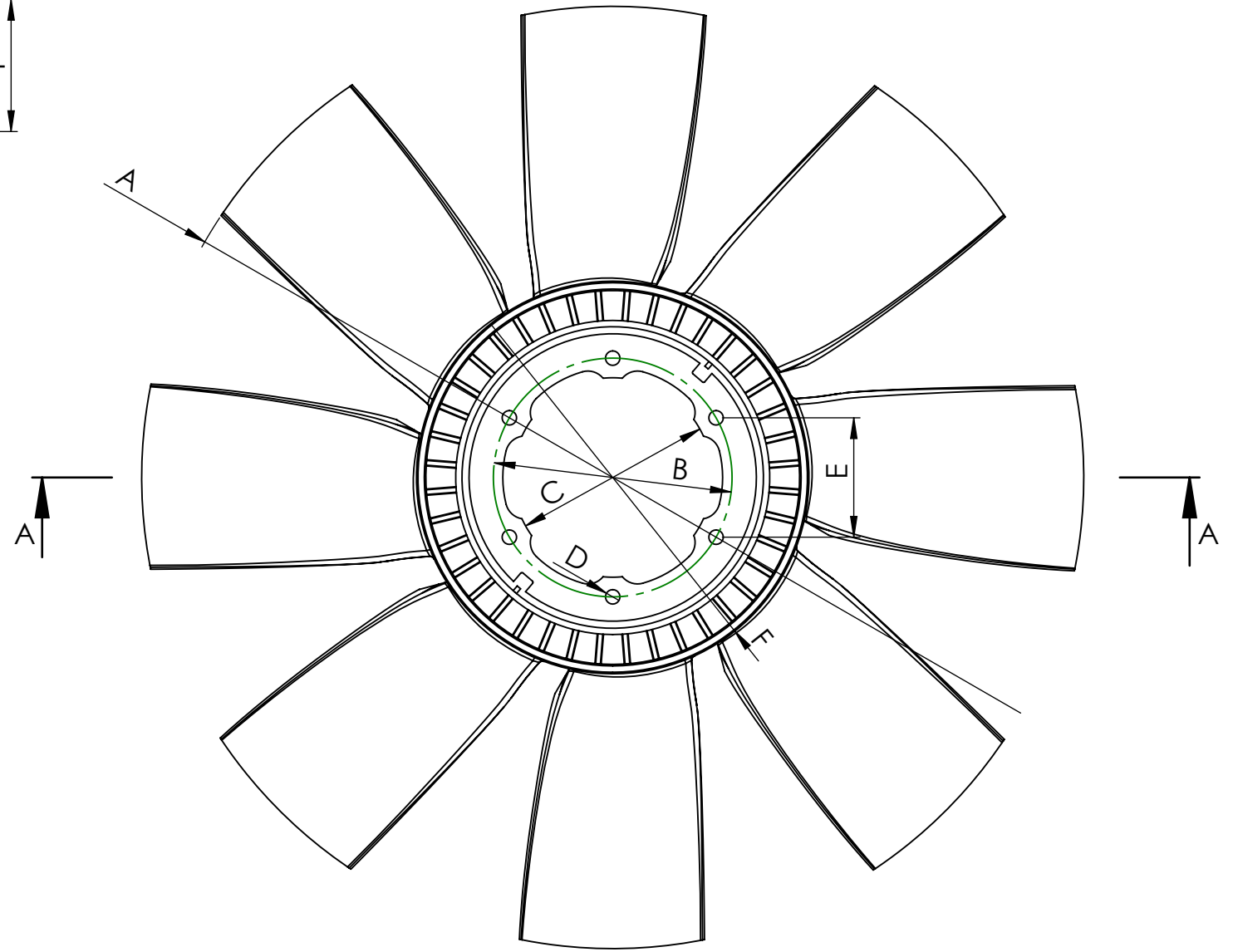
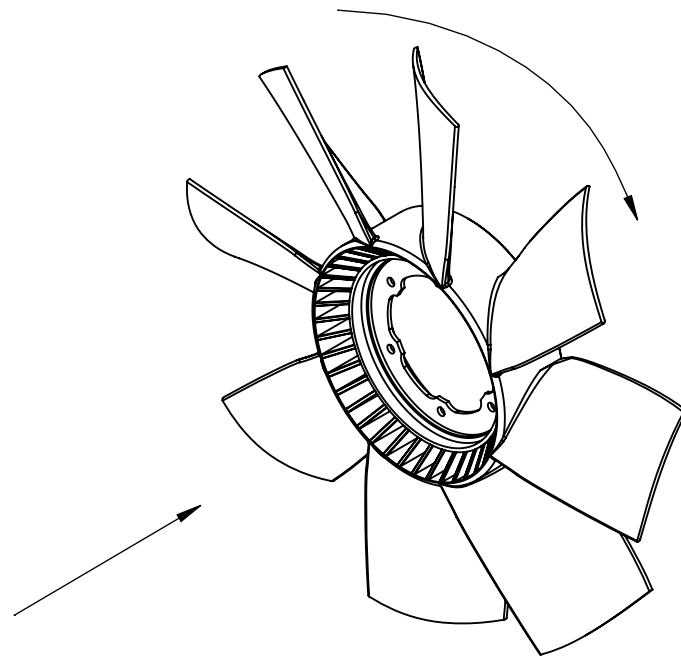


SECTION A-A



Dimensional values		FAN WHEEL			
Ref.n°	Value	Ref.n°	Value		
A	$\varnothing 600 \pm 3$ mm	G	79 ± 3 mm		
B	$\varnothing 152,4$ mm	H	39 ± 3 mm		
C	$\varnothing 127 +0,30$ mm	I	84 ± 3 mm		
D	6x $\varnothing 8,5$ mm				
E	76,2 mm				
F	$\varnothing 250 \pm 3$ mm				
Number of blades		8	Configuration	CW	

Modification n°	Modified	Date	Reason
4			
3			
2			
1			

Comments

Drawn
03/03/25 E.H.
Checked
03/03/25 R.U.

General Tolerance
ISO 2768 c-K
Material

Assembly
Part name
Fan wheel
ID. Reference
7037145
Scale: 1/4
Review: 0

