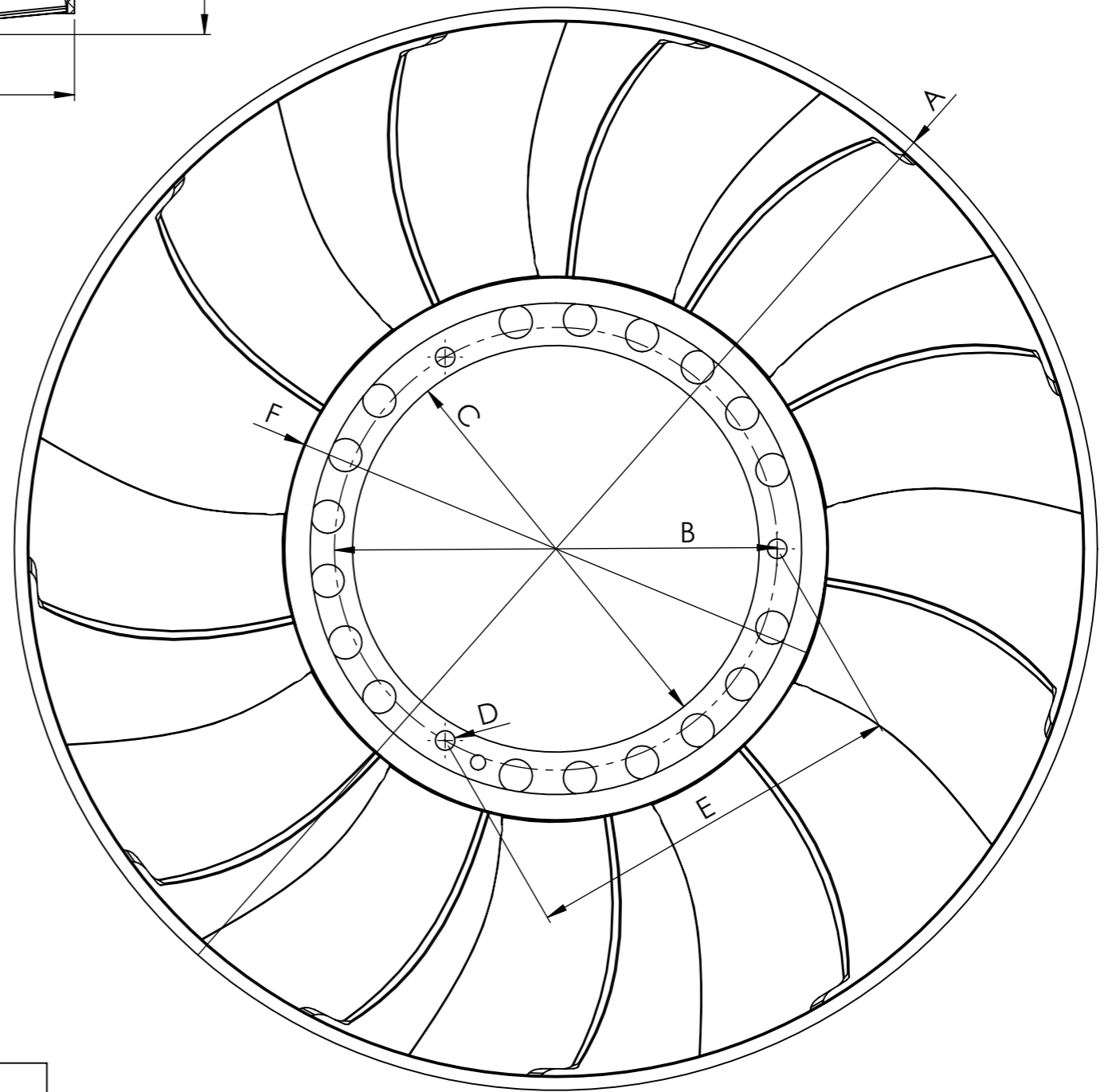
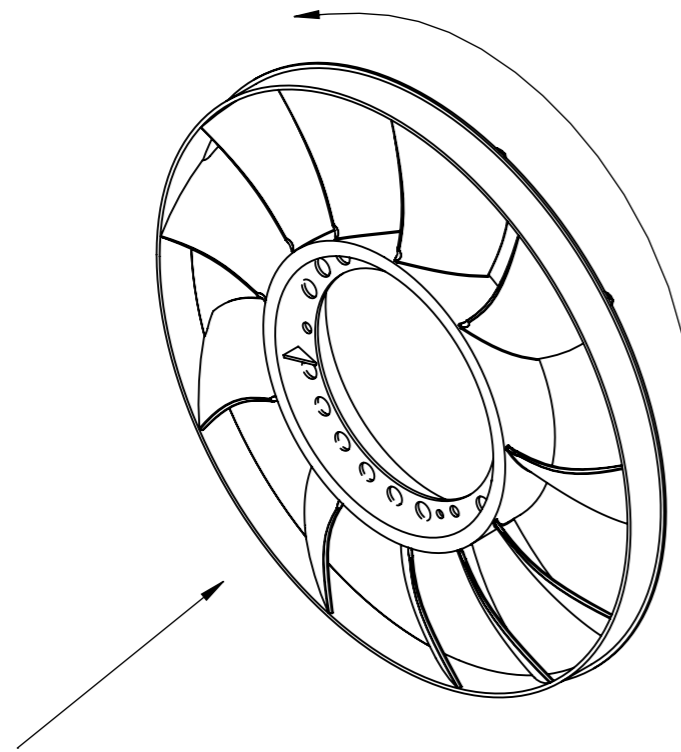


SECTION A-A



FAN WHEEL			
Ref.n°	Value	Ref.n°	Value
A	$\phi 360 \pm 3$ mm	G	37.5 ± 3 mm
B	$\phi 147$ mm	H	24 ± 3 mm
C	$\phi 135 +0.30$ mm	I	39.5 ± 3 mm
D	3x $\phi 6.5$ mm	J	$\phi 355 \pm 3$ mm
E	127.3 mm		
F	$\phi 181 \pm 3$ mm		
Number of blades		11	Configuration
			CCW

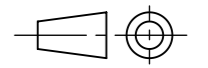
Modification n°	Modified	Date	Reason
4			
3			
2			
1			

Comments

Drawn
16/06/20 A.G.
Checked
16/06/20 R.U.

General Tolerance
ISO 2768 c-K
Material

Assembly
Part name
Fan wheel
ID. Reference
8110607
Scale: 1/2
Review: 0



Sheet
1/1