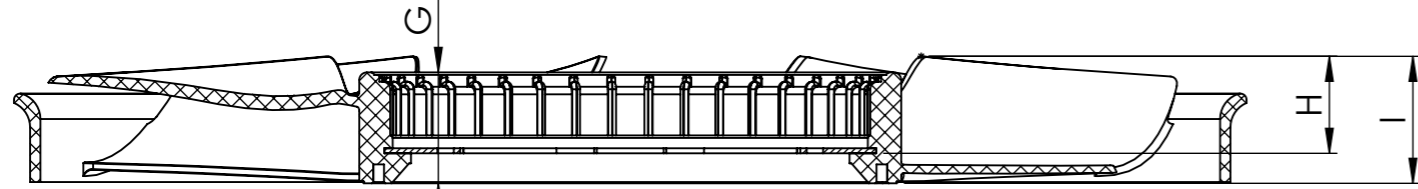


1 2 3 4 5 6 7 8

A

A



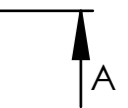
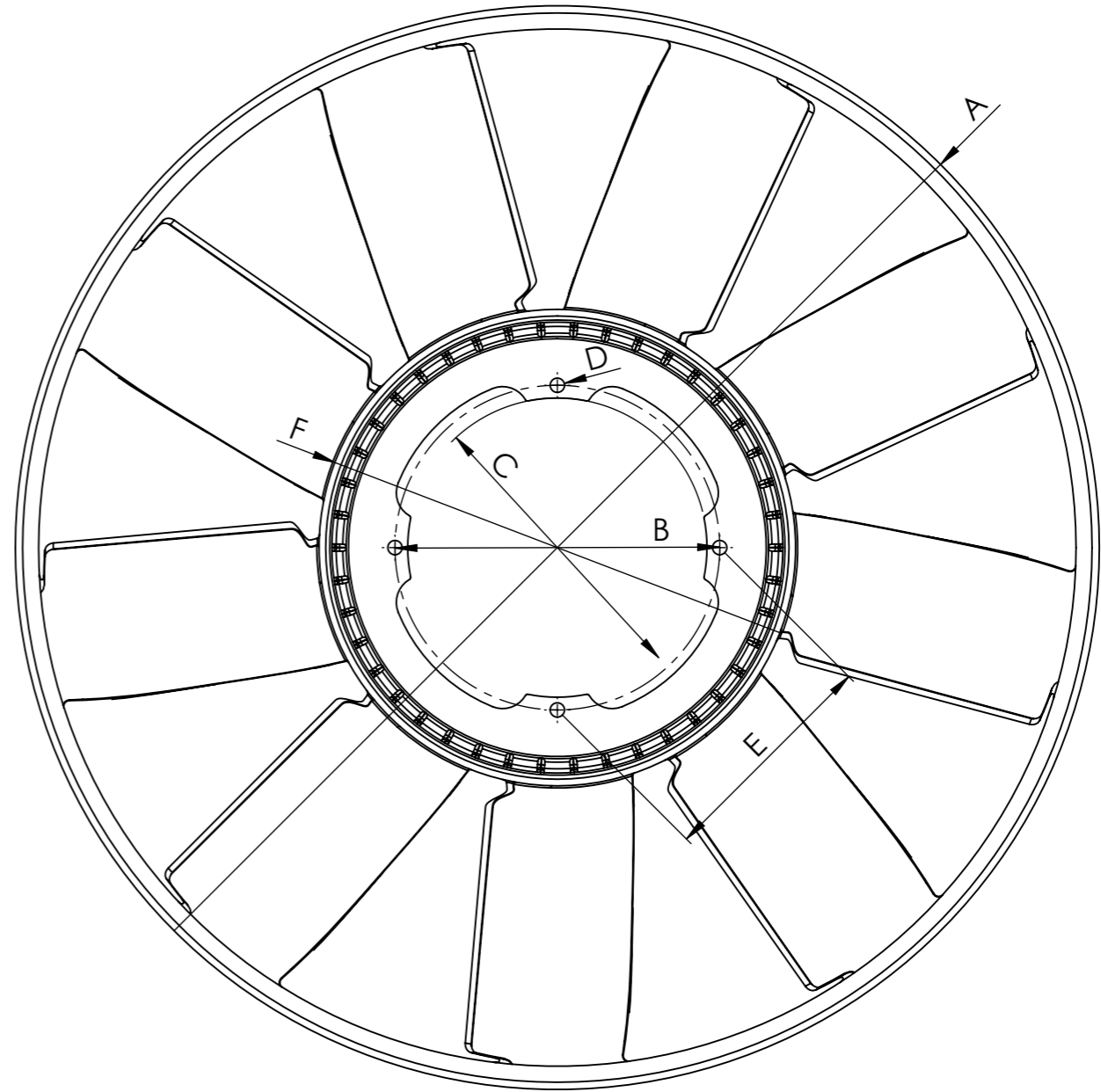
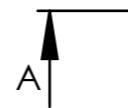
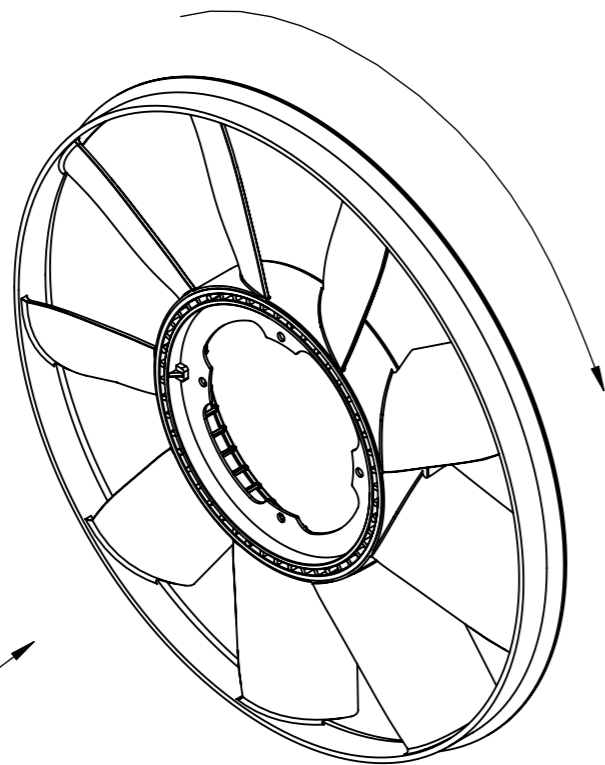
SECTION A-A

B

B

C

C



D

D

E

E

F

F

FAN WHEEL			
Ref.n°	Value	Ref.n°	Value
A	∅470 ±3 mm	G	45 ±3 mm
B	∅96 mm	H	2.6 ±3 mm
C	∅82 +0.3 0 mm	I	49.2 ±3 mm
D	4x ∅6.5 mm		
E	67.9 mm		
F	∅215 ±3 mm		
Number of blades		9	Configuration
			CW

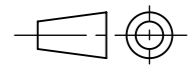
Modification n°	Modified	Date	Reason
4			
3			
2			
1			

Comments
The drawing views may not match the actual part.

Drawn
18/06/20 A.G.
Checked
18/06/20 R.U.

General Tolerance
ISO 2768 c-K
Material

Assembly
Part name Fan wheel
ID. Reference 8111605
Scale: 1/3
Review: 0



Sheet
1/1

1 2 3 4 5 6 7 8