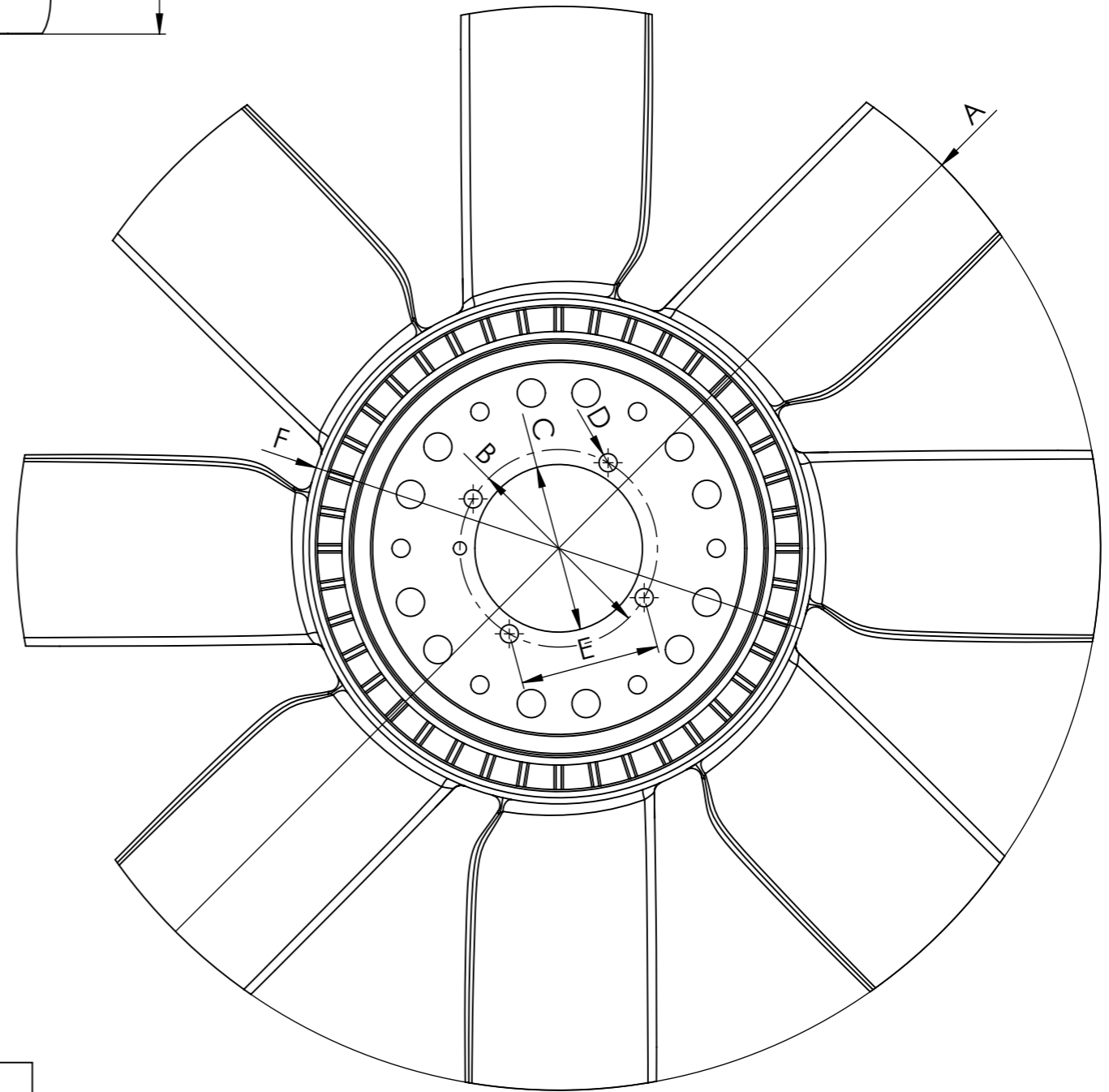
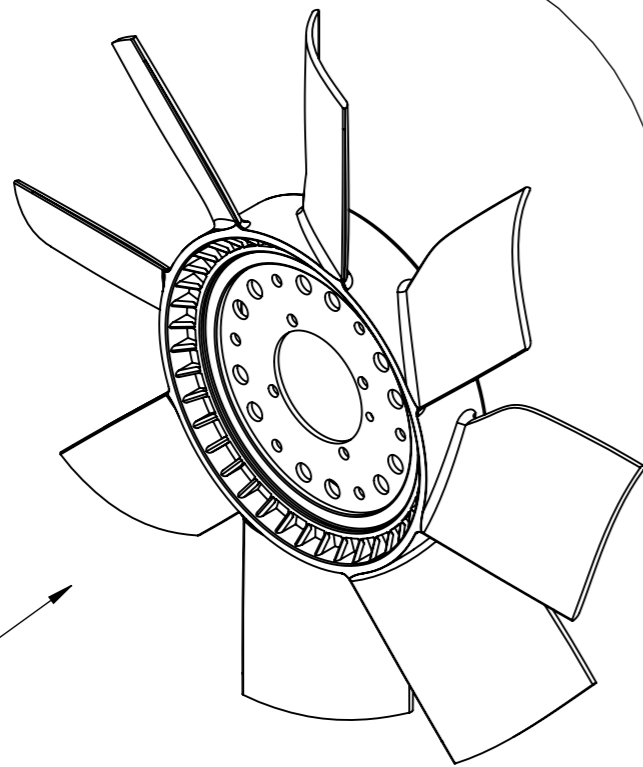


SECCIÓN A-A



FAN WHEEL			
Ref.nº	Value	Ref.nº	Value
A	$\varnothing 530 \pm 3$ mm	G	59 ± 3 mm
B	$\varnothing 96.7$ mm	H	42.5 ± 3 mm
C	$\varnothing 82.5 +0.3 -0$ mm	I	66 ± 3 mm
D	4x $\varnothing 9$ mm		
E	68.4 mm		
F	$\varnothing 250 \pm 3$ mm		
Number of blades		8	Configuration
			CW

Modification nº	Modified	Date	Reason
4			
3			
2			
1			

Comments			

Drawn
07/10/20 A.G.

Checked
07/10/20 R.U.

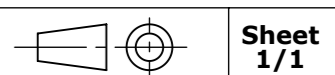
General Tolerance
ISO 2768 c-K

Material

Assembly
Part name Fan wheel

ID. Reference 8521603

Scale: 1/3
Review: 0



Sheet 1/1