

A

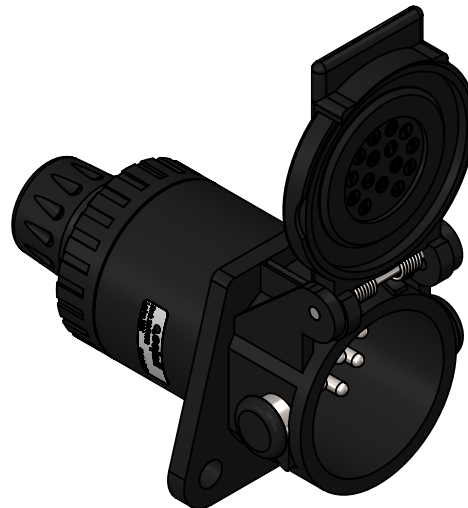
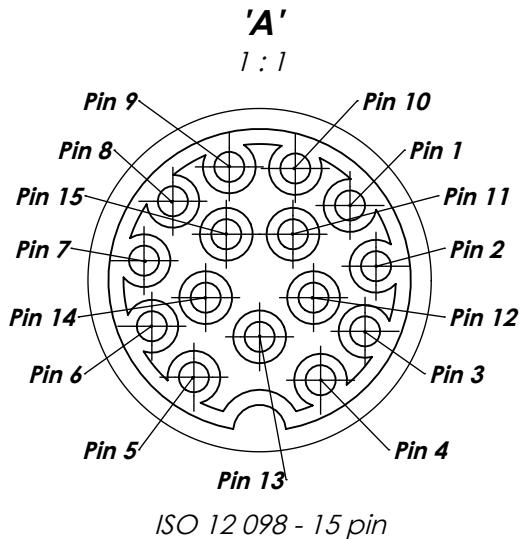
Technical sheet / Datos técnicos:

Part number adaptable to / Referencia adaptable a	8JB007242021
Weight / Peso	280 gr

A

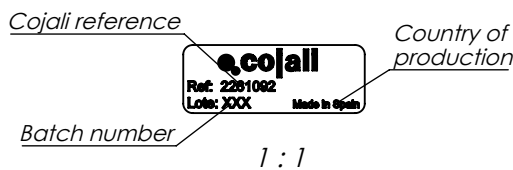
B

B



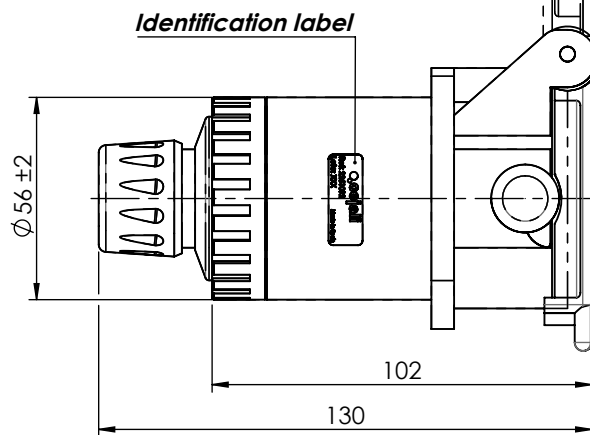
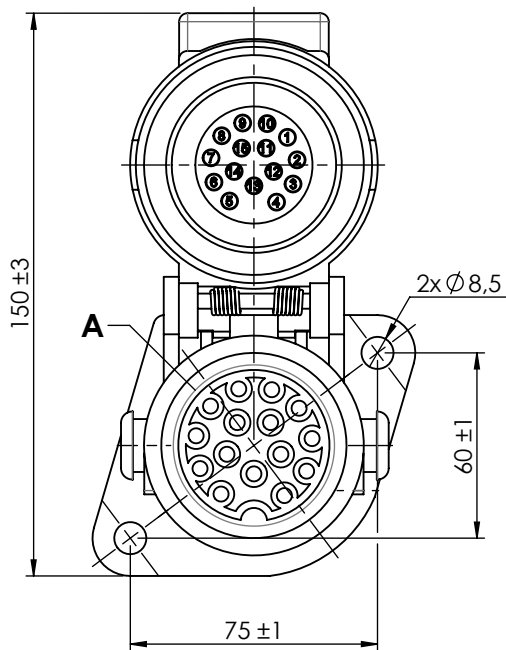
C

C



D

D



E

E

F	Modification	4				Drawn		F
		3				08/06/22 J.S.		
		2				Checked		
		1				08/06/22 O.V.		
	nº Modified	Date	Reason	General Tolerance	Assembly	-		
Comments				ISO 2768 v-K	Part name	Coil connector		
				Material	ID. Reference	2261092		
					Scale: 1/2		Sheet 1/1	
					Review: 0			