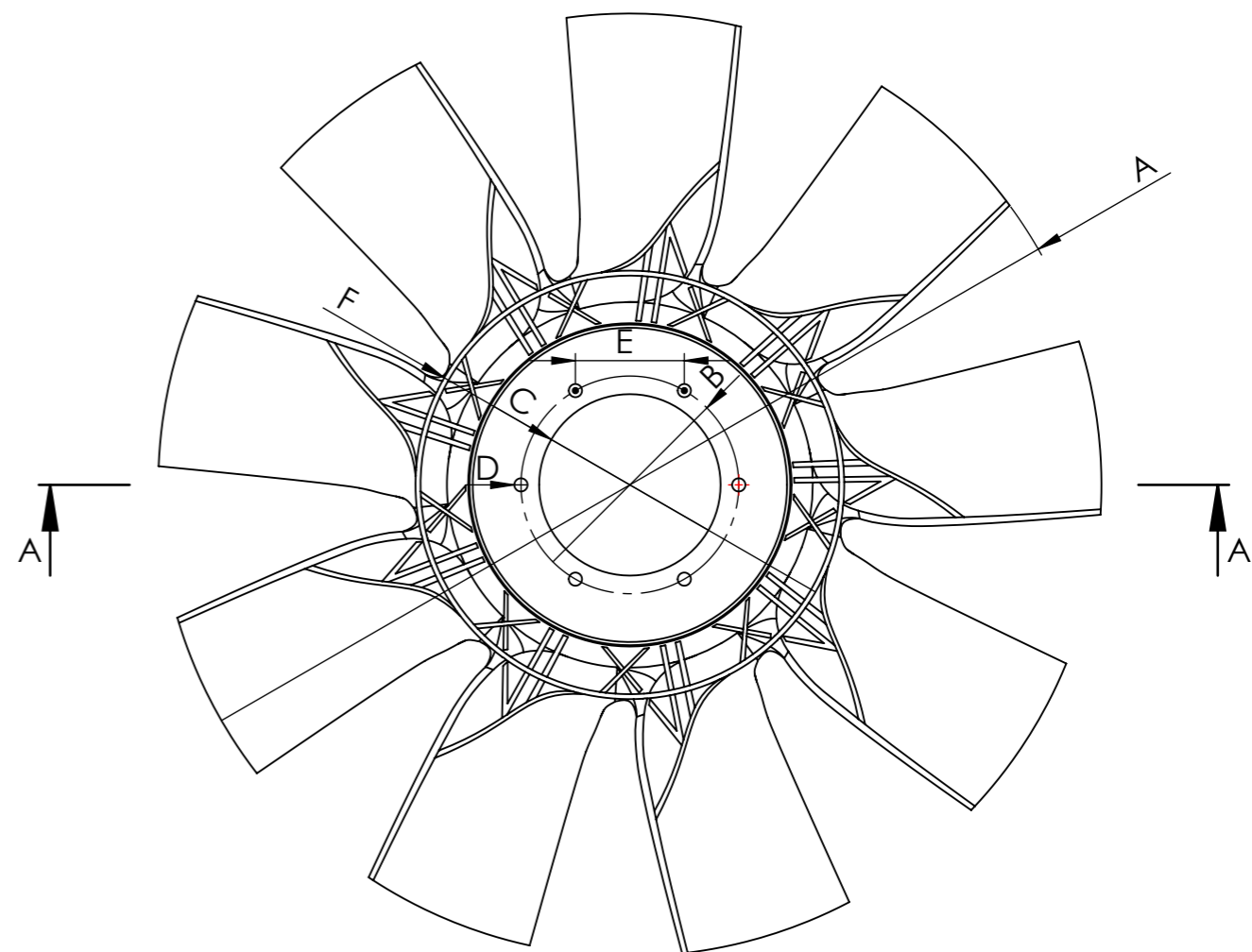
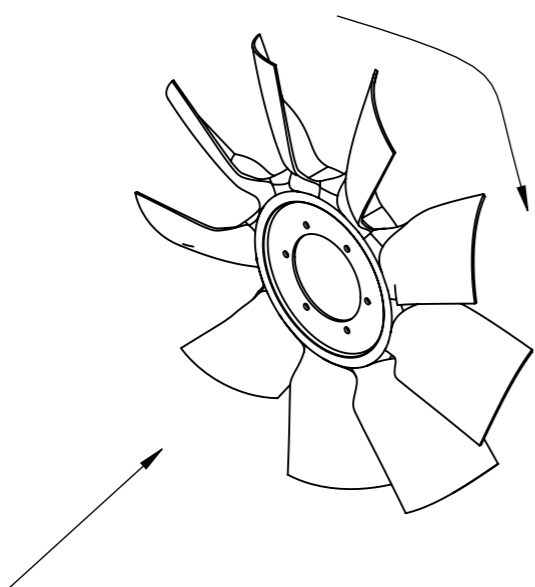


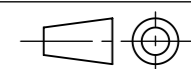
SECTION A-A



Dimensional values	FAN WHEEL			
	Ref.n°	Value	Ref.n°	Value
A	Ø 660 ±3 mm	G	38 ±3 mm	
B	Ø 152,4 mm	H	56 ±3 mm	
C	Ø 127 +0,30 mm	I	88,8 ±3 mm	
D	6x Ø9 mm			
E	76,2 mm			
F	Ø301 ±3 mm			
Number of blades		9	Configuration CW	

Modification n°	Modified	Date	Reason	Comments	Drawn
					4
3					Checked
2					19/05/20 A.R.
1					

General Tolerance		ISO 2768 c-K	Assembly	Technical sheet
Material			Part name	Fan wheel
Scale: 1/5			ID. Reference	7207116
Review: 0				



Sheet 1/1